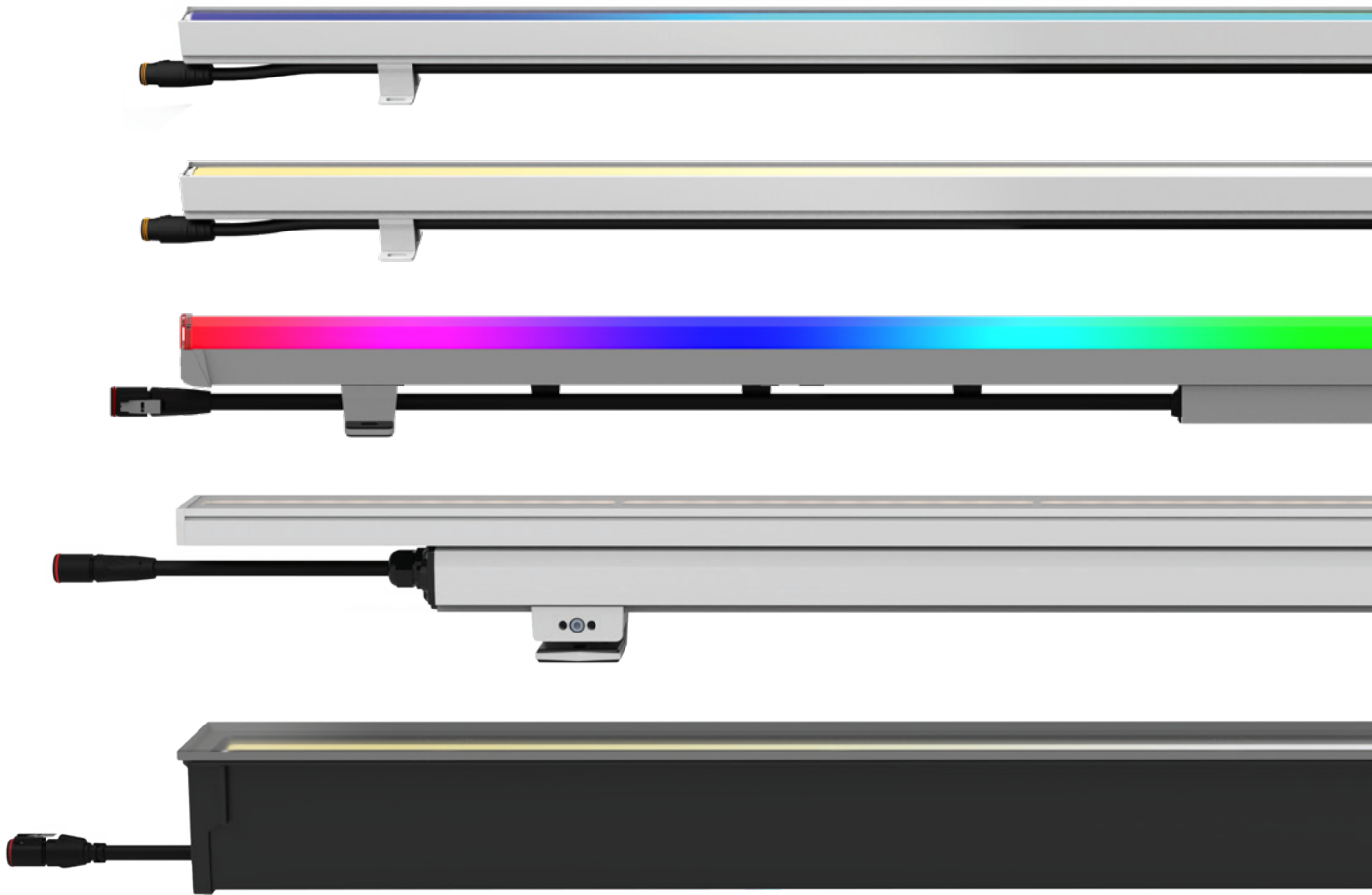


PRODUCT CATALOG

Architectural & Facade Lighting



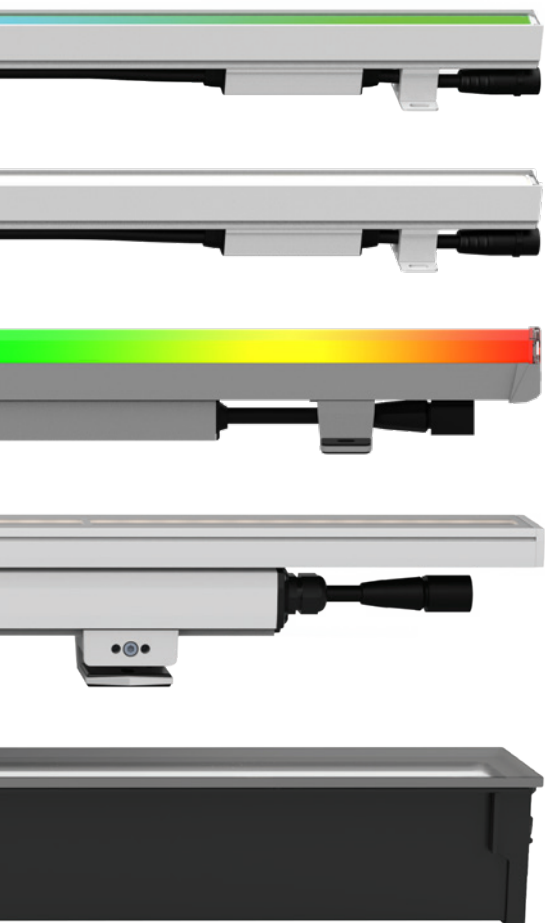
Unleash your *creativity* with the Complete Linear Solution



Complete Linear Solution

Transform your space through light with Lumascape's full range of facade, direct view and in-ground linear solutions. From performance graze to direct view and cove applications, Lumascape has you covered. With the command and flexibility of PowerSync™ Technology, these best-in-class performance products add significant capability to the Lumascape product portfolio. Find your perfect linear solution at lumascape.com

TABLE OF CONTENTS



■ INTRODUCTION	2
■ PRODUCT INDEX	6
■ LINEARS	8
■ ARCHITECTURAL MARKERS	16
■ SPOT/FLOOD LIGHTING	18
■ IN-GROUNDS	22
■ GROUND-MOUNT	34
■ WALL-MOUNT	40
■ UNDERWATER	50
■ BOLLARDS & PATHWAYS	56
■ TECHNICAL INFORMATION	58



Transforming Spaces *Through Light*

Lumascope was founded in Australia in 1991 to provide exceptionally durable, reliable architectural lighting solutions that perform in extreme conditions. For over three decades, customers have come to rely on Lumascope's high-quality, innovative luminaires to solve their toughest lighting challenges.

Today, we have grown to become an industry leader, exporting products to more than 45 countries across four continents. Our dedicated global network of agents and distributors are specialists in addressing the unique customer and business needs within their respective markets.

Our company was built on a **belief in the boundless power of illumination**. We recognize that light not only transforms a space; it transforms the individuals, communities, cities and cultures who move through that space. At Lumascope, we have a deep respect for the emotions and actions that light can elicit in the built environment.

We are **passionate about helping our customers** harness the power of light with reliable luminaires that will transform spaces. It is why we are relentless in upholding the highest standards for our production quality, customer service, training, and technical support.

The transformative effects that our products bring to the built environment are expertly showcased in countless projects. These success stories from around the world reinforce why customers trust us as a knowledgeable and collaborative partner for their most important projects.

Creativity and performance are essential when it comes to harnessing the power of light. Our evocative lighting technology delivers superior output and greater control over mood and ambience, bringing projects to life.

Our design philosophy reflects four basic tenets: customer satisfaction, reliability, durability, and next-generation technology. We combine sophisticated design, advanced technologies, quality materials, and rigorous testing to manufacture a comprehensive range of lighting systems that consistently exceed performance expectations.

All our products are designed to meet and exceed the requirements for various standards, including UL, ETL, CE, UKCA, and CCC, as well as other international requirements.

Lumascope invests significant time and funding each year into **research and development of new and innovative LED lighting technologies and luminaires**. We have created the largest and most sophisticated lighting laboratory in Australia, and our state-of-the-art manufacturing facility is built to accommodate the latest industry advancements.

Our rigorous standards include in-line and post-build testing to ensure products of the highest quality. All our products are endorsed by third-party testing and meet or exceed industry testing standards for energy conservation and lighting performance. Without compromising quality, we design highly sophisticated lighting systems, controls, hardware, and software that are easy to specify, install, and maintain.

Intelligent Electronics, for LED luminaires

What is PowerSync?

- » PowerSync was born from an industry need for a simplified, contractor-friendly installation without compromising the dimming quality.
- » PowerSync supports industry standard protocols: 0 to 10 V and DMX/RDM.
- » High-resolution dimming to 0.1%.
- » Installation of PowerSync requires only industry standard wiring methods and materials.
- » PowerSync uses a single extra conductor to carry data — less copper and fewer connections versus other manufacturers using traditional control methods.
- » Consistent dimming performance, wiring, and installation across all PowerSync luminaires.

powersync[™]



Illuminate your world, *your way.*



Revolutionary **PowerSync™ Technology** combines the convenience of standard wiring methods with the power of high-speed, digital dimming and color control. It integrates power and data in one cable, significantly reducing installation and maintenance costs over time. Best of all, PowerSync works with a range of standard protocols, so you can illuminate your world, your way.

ARCHITECTURAL & FACADE LIGHTING
Learn more. Visit lumascope.com

 **LUMASCAPE**

PRODUCT INDEX

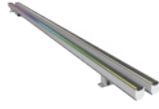
LINEAR



Linealux **L5**
PAGE 8



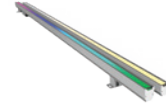
Linealux **L3**
PAGE 9



Linealux **L1**
PAGE 10



Vestalux **V2**
PAGE 12



Vestalux **V1**
PAGE 14

ARCHITECTURAL MARKERS

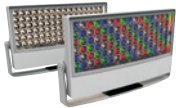


Faisca **F6**
PAGE 16



Faisca **F3**
PAGE 17

SPOT/FLOOD LIGHTING



Quadralux **Q8**
PAGE 18



Quadralux **Q6**
PAGE 19



Quadralux **Q4**
PAGE 20



Quadralux **Q2**
PAGE 21

IN-GROUNDS



Terraluz **TE5**
PAGE 23



Erden **E8**
PAGE 25



Erden **E6**
PAGE 26



Erden **E4**
PAGE 27



Evoca **EV4**
PAGE 28



Evoca **EV7**
PAGE 29



Vedi **VD1**
PAGE 30



Vedita **VE3**
PAGE 31



























Vedita **VE1**
PAGE 32



Via **VI1**
PAGE 33


PRODUCT INDEX

GROUND MOUNT								
	Centria C1 PAGE 34	Centria C2 PAGE 35	Omnio OM2 PAGE 36	Omnio OM1 PAGE 37	Woda W3 PAGE 38	Vedita VE2 PAGE 39		
	WALL MOUNT (SURFACE)							
		Centra C4 PAGE 40	Centra C3 PAGE 41	Omnio OM2 PAGE 42	Omnio OM1 PAGE 43			
		WALL MOUNT (RECESSED)						
			Nook NK4 PAGE 44	Nook NK2 PAGE 45	Bezel BZ2 PAGE 46	Ridge RG4 PAGE 47	Reed RD2 PAGE 48	Vedita VE6 PAGE 49
UNDERWATER								
	Tristar TR1 PAGE 51		Star ST1 PAGE 52	Nero NE1 PAGE 53	Nero NE2 PAGE 54	Nero NE3 PAGE 55	Woda W3 PAGE 56	
								
	Vedita VE5 PAGE 57							
	BOLLARDS & PATHWAYS							
		Rise RS8 PAGE 58						

LINEALUX L5 LINEAR FACADE

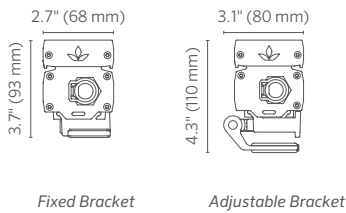
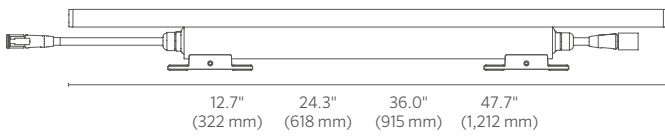
LINEAR

LS9050

LUMENS (4,000 K):	2,163 lm/ft
LUMENS (RGBW):	1,778 lm/ft
POWER CONSUMPTION:	< 23 W/ft
CONTROLS:	PowerSync, Non-Dimmable
LED COLOR OPTIONS:	
BEAM ANGLES:	6°, 10°, 15°, 30°, 45°, 60°, 10° x 40°, 10° x 60°, 20° x 40°, 20° x 60°, 100°, Asymmetric
INPUT VOLTAGE:	220 to 240 Vac, 50 Hz (International) 120/277 Vac, 60 Hz (North America)
WEIGHT:	15.4 lb (7.0 kg) for 4' (1.2 m) section
AMBIENT TEMPERATURE:	-40°F to 122°F (-40°C to 50°C)

KEY FEATURES

- Ultra high-performance, for challenging grazing applications
- Efficient designer optics with many precision beam angles
- Exceptional color-mixing and color-over-angle performance
- IP66/67 (Passes IP68 test)
- OptiClear™ toughened glass front lens
- MicroAntileach™, moisture-blocking cable system
- High-grade, UV-resistant underwater-rated cable
- Constant torque, reversible, adjustable mounting bracket
- Long circuit lengths and large circuit luminaire counts
- Luminaires, controllers and cables have their own compliances providing greater system flexibility

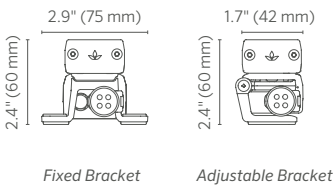
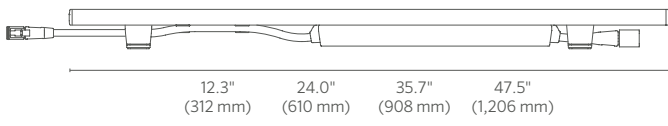


 IP66/67	 IK6	 3G VIBRATION	 9 STEP POWDER-COAT PROCESS	 AL MARINE-GRADE ALUMINUM
---	---	--	--	--

LINEALUX L3 LINEAR FACADE

	LS9030	LS9032
LUMENS (4,000 K):	1,320 lm/ft	1,200 lm/ft
LUMENS (RGBW):	843 lm/ft	-
POWER CONSUMPTION:	< 15 W/ft	< 14 W/ft
CONTROLS:	PowerSync	DALI, 0 to 10 V, Non-Dimmable
LED COLOR OPTIONS:		
BEAM ANGLES:	6°, 10°, 15°, 30°, 45°, 60°, 10° x 40°, 10° x 60°, 20° x 40°, 20° x 60°, 100°, Asymmetric	
INPUT VOLTAGE:	220 to 240 Vac, 50 Hz (International) 120/277 Vac, 60 Hz (North America)	
WEIGHT:	6.2 lb (2.8 kg) for 4' (1.2 m) section	
AMBIENT TEMPERATURE:	-40°F to 122°F (-40°C to 50°C)	

- ### KEY FEATURES
- Compact at only 1.7" (42 mm) wide
 - Efficient designer optics with many precision beam angles
 - Exceptional color-mixing and color-over-angle performance
 - IP66/67 (Passes IP68 test)
 - OptiClear™ toughened glass front lens
 - MicroAntileach™, moisture-blocking cable system
 - High-grade, UV-resistant underwater-rated cable
 - IK10 accessory options are available
 - Constant torque, reversible, adjustable mounting brackets
 - Plug-and-play connections for easy installation
 - Long circuit lengths and large circuit luminaire counts
 - Control resolutions 12.0" (300 mm) and full luminaire
 - Luminaires, controllers and cables have their own compliances providing greater system flexibility




IP66/67	IK6	3G VIBRATION	9 STEP POWDER-COAT PROCESS	AL MARINE-GRADE ALUMINUM
---------	-----	--------------	----------------------------	--------------------------

LINEAR

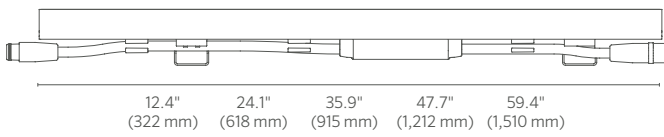
LINEALUX L1 LINEAR FACADE

LINEAR

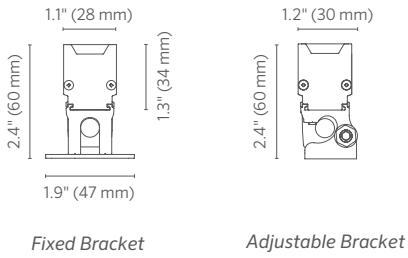
	LS9010
LUMENS (4,000 K):	503 lm/ft
LUMENS (RGBW):	283 lm/ft
POWER CONSUMPTION:	< 7 W/ft, <5 W/ft
CONTROLS:	PowerSync, Non-Dimmable
LED COLOR OPTIONS:	
BEAM ANGLES:	20° x 80°, 30° x 80°, 40° x 80°, Asymmetric
INPUT VOLTAGE:	30 to 48 Vdc
WEIGHT:	3.8 lb (1.7 kg) for 4' (1.2 m) section
AMBIENT TEMPERATURE:	-40°F to 122°F (-40°C to 50°C)

KEY FEATURES

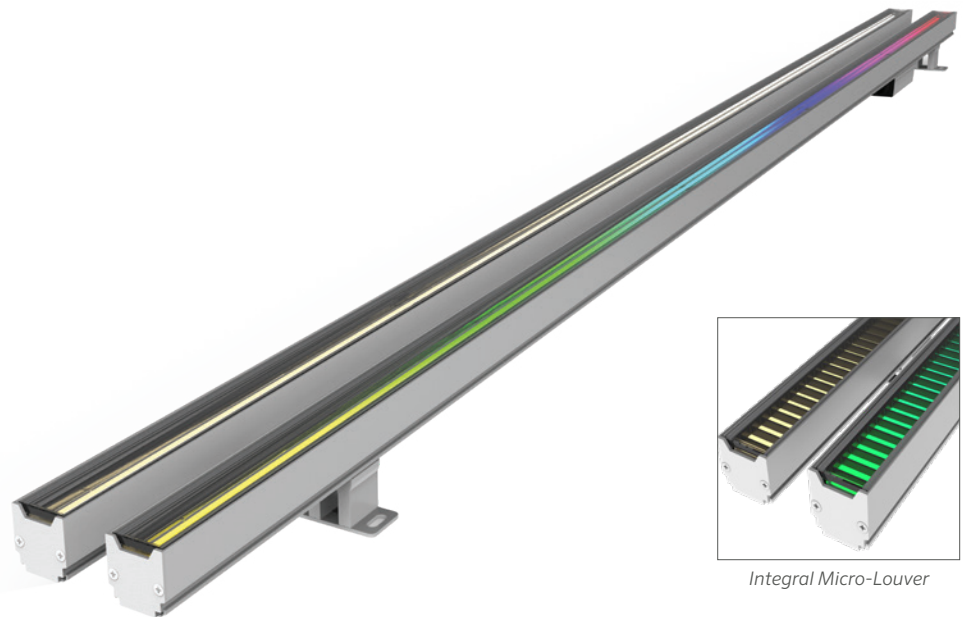
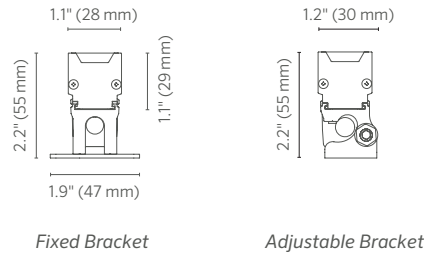
- Ultra compact at only 1.1" (28 mm) wide
- Efficient designer optics with multiple precision beam angles
- Exceptional color-mixing and color-over-angle performance
- IP66/67 (Passes IP68 test)
- OptiClear™ toughened glass front lens
- MicroAntileach™, moisture-blocking cable system
- High-grade, UV-resistant underwater-rated cable
- Adjustable and fixed bracket mounting options
- Factory-fitted glare and beam accessories
- Plug-and-play connections for easy installation
- Long circuit lengths and large circuit luminaire counts
- Multiple control resolutions 3/4" (19 mm) to full luminaire
- Luminaires, controllers and cables have their own compliances providing greater system flexibility



Body Type L: With Integral Micro-Louver



Body Type S: Without Integral Micro-Louver



 IP66/67	 IK6	 3G VIBRATION	 9 STEP POWDER-COAT PROCESS	 AL MARINE-GRADE ALUMINUM
---	---	--	--	--

Compact by design.
Stellar by performance.

The next-generation Linealux L1 Mini Grazer seamlessly combines technology and performance in a stylish, low-profile design. With a width of just 1.1" (28 mm), it's the perfect size for ledges, facades, and windows, providing an enormous amount of light from a tiny luminaire.

ARCHITECTURAL & FACADE LIGHTING
Learn more. Visit lumascope.com

 **LUMASCAPE**

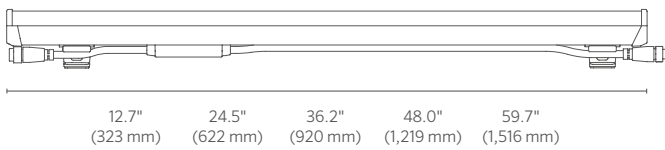
VESTALUX V2 FACADE OUTLINER

LINEAR

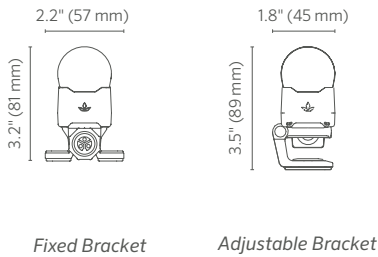
	LS9016
LUMENS (4,000 K)	588 lm/ft
LUMENS (RGBW):	300 lm/ft
POWER CONSUMPTION:	<7 W/ft, <5 W/ft
CONTROLS:	PowerSync, Non-Dimmable
LED COLOR OPTIONS:	
INPUT VOLTAGE:	30 to 48 Vdc 220 to 240 Vac, 50 Hz (International) 120/277 Vac, 60 Hz (North America)
WEIGHT:	Low Voltage: 3.3 lb (1.5 kg) for 4' (1.2 m) section Line Voltage: 5.0 lb (2.3 kg) for 4' (1.2 m) section
AMBIENT TEMPERATURE:	-40°F to 122°F (-40°C to 50°C)

KEY FEATURES

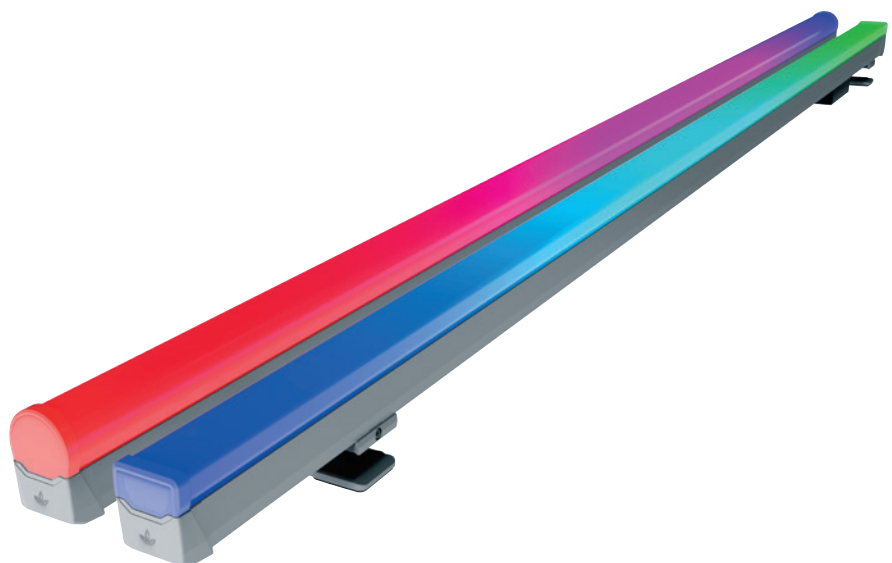
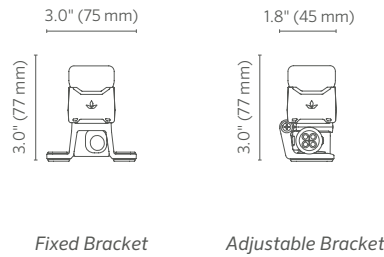
- Ultra-high intensity suitable for viewing from long distances
- IP66/67 (Passes IP68 test)
- OptiClear™, UV stabilized polycarbonate lens with UVShield™ barrier technology
- MicroAntileach™, moisture-blocking cable system
- High-grade, UV-resistant underwater-rated cable
- Adjustable and fixed bracket mounting options
- Line voltage and extra low voltage options
- Plug-and-play connections for easy installation
- Long circuit lengths and large circuit luminaire counts
- Multiple control resolutions 3/4" (19 mm) to full luminaire
- Luminaires, controllers and cables have their own compliances providing greater system flexibility



Opal Cylinder (Low Voltage Variant Shown)



Opal Square (Line Voltage Variant Shown)



Designed to Perform and Excite



The **Vestalux V2** is a high-output, direct view linear outliner featuring Lumascope's UVShield™ Technology. It offers best-in-class photometric performance, with over 1,200 lm from a 4' (1.2 m) RGBW luminaire and over 2,200 lm from a 4' (1.2 m) white luminaire. With Vestalux V2 luminaires on your project, imagination is the only limit!

ARCHITECTURAL & FACADE LIGHTING
Learn more. Visit lumascope.com

 LUMASCOPE

VESTALUX V1 FACADE OUTLINER

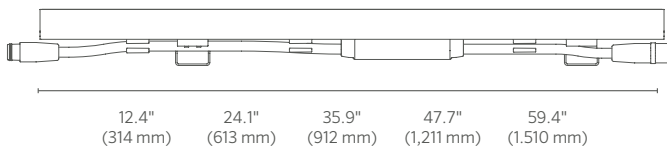
LINEAR

LS9015

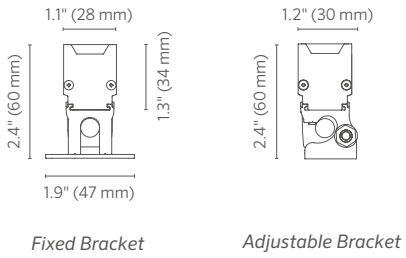
LUMENS (4,000 K):	485 lm/ft
LUMENS (RGBW):	270 lm/ft
POWER CONSUMPTION:	7 W/ft, 5 W/ft
CONTROLS:	PowerSync, Non-Dimmable
LED COLOR OPTIONS:	
INPUT VOLTAGE:	30 to 48 Vdc
WEIGHT:	3.5 lb (1.6 kg) for 4' (1.2 m) section
AMBIENT TEMPERATURE:	-40°F to 122°F (-40°C to 50°C)

KEY FEATURES

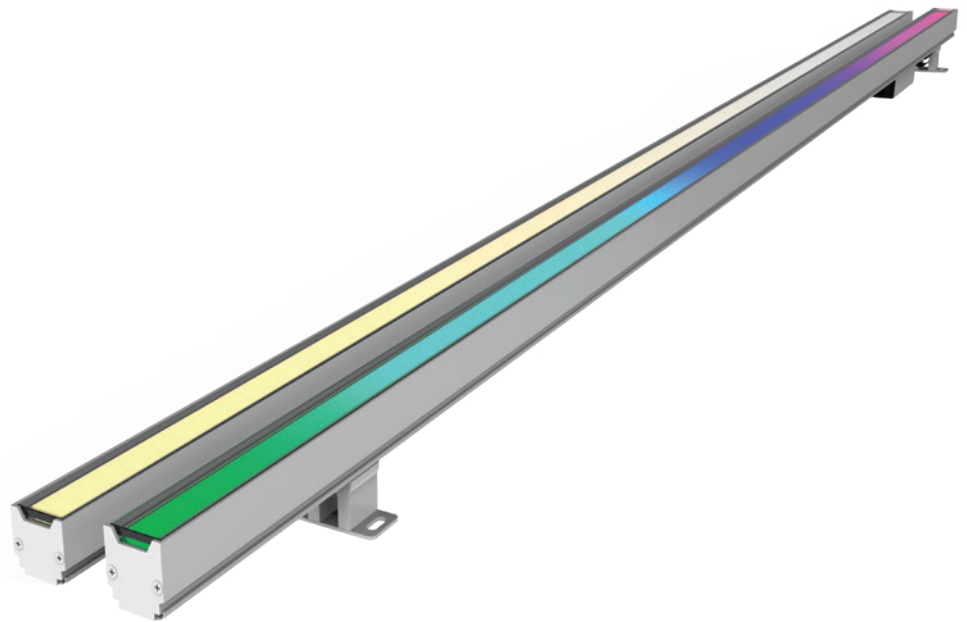
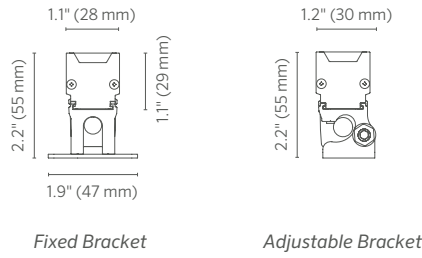
- Ultra-high intensity suitable for viewing from long distances
- IP66/67 (Passes IP68 test)
- OptiClear™ toughened glass front lens
- MicroAntileach™, moisture-blocking cable system
- High-grade, UV-resistant underwater-rated cable
- Adjustable and fixed bracket mounting options
- Plug-and-play connections for easy installation
- Long circuit lengths and large circuit luminaire counts
- Multiple control resolutions ¾" (19 mm) to full luminaire
- Luminaires, controllers and cables have their own compliances providing greater system flexibility



Body Type T: Dynamic Color RGBW/RGBA



Body Type S: Single Color and Tunable White



IP66/67	IK6	3G VIBRATION	9 STEP POWDER-COAT PROCESS	AL MARINE-GRADE ALUMINUM
---------	-----	--------------	----------------------------	--------------------------



Transforming an icon *using light*

As part of the Victorian Government's refurbishment plan, the iconic Flinders Street Railway Station received a range of exterior and interior upgrades, including a dynamic new facade lighting system.

The original station was completed in 1910, designed by James Fawcett and H.P. Ashworth from the Railways Department. Today, it is the busiest railway station in Australia. More than 90,000 passengers come through the entrance each day. Flinders Street's facade depicts classic Edwardian architecture, which makes it one of the most well-known icons in Melbourne.

In 2017, a state-of-the-art LED lighting system was unveiled that included over 90,000 LEDs and an advanced control network. The nighttime transformation of the building's classical architecture is stunning.

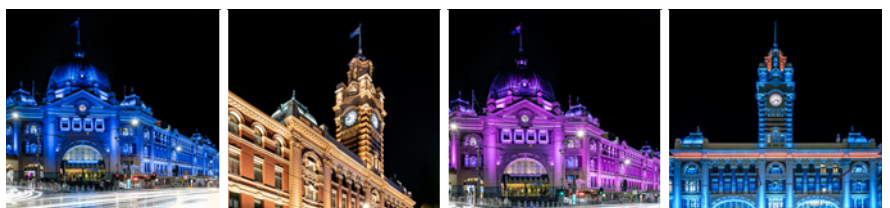
The project features more than 12 mi (20 km) of cable and 1,100 DMX controlled LED luminaires that can be operated remotely. From classic warm whites to dynamic high-impact color effects, the lighting system on Flinders Street knows no bounds. The facade lighting can also be programmed to celebrate key social and cultural events in the city such as Australia Day, St. Patrick's Day, Breast Cancer Awareness Month, and more.

While the incredible transformation of the train station is clearly visible at night, what is less obvious is the level of intelligence in the control system. The optimized system delivers detailed reports in real time, facilitates easy maintenance, and simplifies customized lighting effects — all via the internet.

Lumascap PowerSync™ enabled luminaires, including next-generation Vestalux V1 direct view linear outliner, add definition to the facade and highlight the building accents.


Key considerations in partnering with Lumascap included significant energy savings from the transition to LED technology, coupled with long-term maintenance savings through the fully monitored solution.

Lumascap was honored to partner with Darkon and Apec Electrical to create a special lighting show on such a quintessential building in the heart of Melbourne.



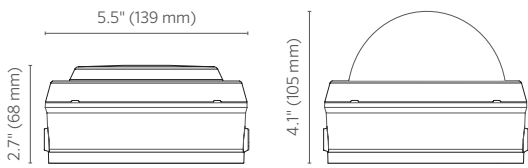
FAISCA F6 HIGH-POWERED MARKER

ARCHITECTURAL MARKER

	LS9260
LUMENS (4,000 K):	2,720 lm
LUMENS (RGBW):	1,330 lm
POWER CONSUMPTION:	≤ 20 W
CONTROLS:	PowerSync, Non-Dimmable
LED COLOR OPTIONS:	
INPUT VOLTAGE:	30 to 48 Vdc
WEIGHT:	3.5 lb (1.6 kg)
AMBIENT TEMPERATURE:	-40°F to 122°F (-40°C to 50°C)

KEY FEATURES

- Ultra-high intensity suitable for viewing from long distances
- IP66/67 (Passes IP68 test)
- UV-stabilized polycarbonate lens with UVShield™ barrier technology
- MicroAntileach™, moisture-blocking cable system
- High-grade, UV-resistant underwater-rated cable
- Multiple flexible mounting options
- Plug-and-play connections for easy installation
- Long circuit lengths and large circuit luminaire counts
- Luminaires, controllers and cables have their own compliances providing greater system flexibility




Transparent Flat Lens

Diffused Dome Lens



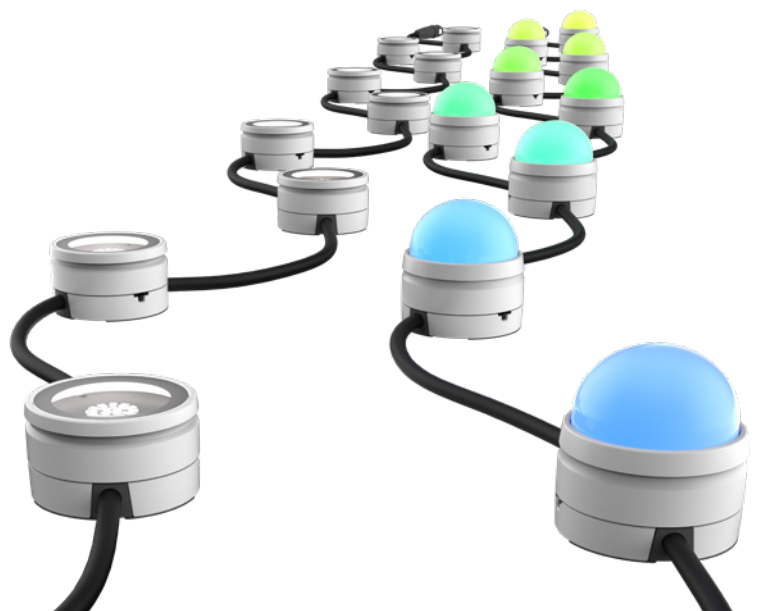
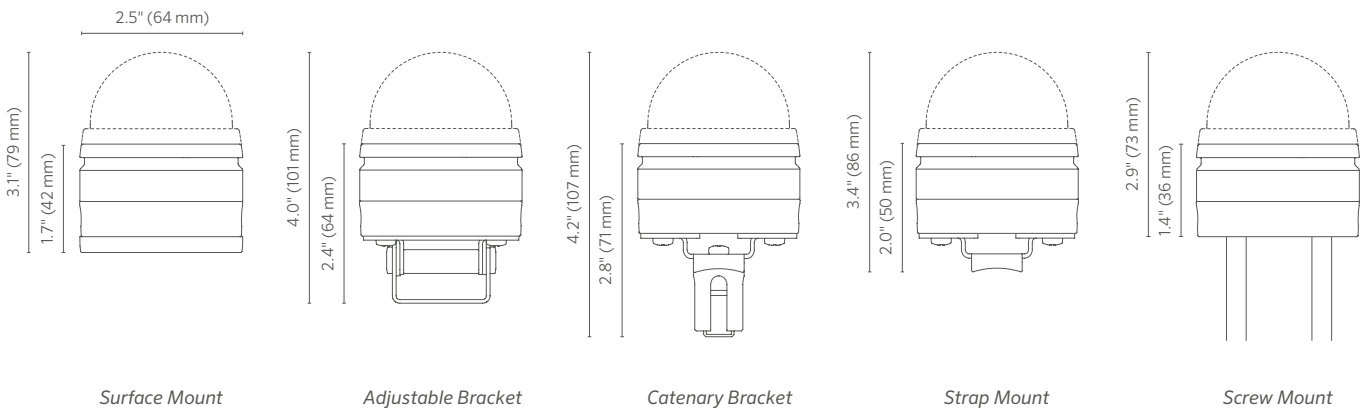
 IP66/67	 IK10 DOME	 IK10 FLAT	 3G VIBRATION	 9 STEP POWDER-COAT PROCESS	 AL MARINE-GRADE ALUMINUM
---	---	---	--	--	--

FAISCA F3 LOW-POWERED MARKER

	LS9230
LUMENS (4,000 K):	365 lm
LUMENS (RGBW):	190 lm
POWER CONSUMPTION:	< 3 W/node, < 5 W/node
CONTROLS:	PowerSync, Non-Dimmable
LED COLOR OPTIONS:	
INPUT VOLTAGE:	30 to 48 Vdc
WEIGHT:	1.1 lb (0.5 kg) per node
AMBIENT TEMPERATURE:	-40°F to 122°F (-40°C to 50°C)

KEY FEATURES

- Ultra-high intensity suitable for viewing from long distances
- IP66/67 (Passes IP68 test)
- OptiClear™ toughened glass front lens, or UV-stabilized polycarbonate lens with UVShield™ barrier technology
- MicroAntileach™, moisture-blocking cable system
- High-grade, UV-resistant underwater-rated cable
- Multiple flexible mounting options
- Up to 25 nodes, pre-installed on a single cable
- Plug-and-play connections for easy installation
- Long circuit lengths and large circuit luminaire counts
- Luminaires, controllers and cables have their own compliances providing greater system flexibility

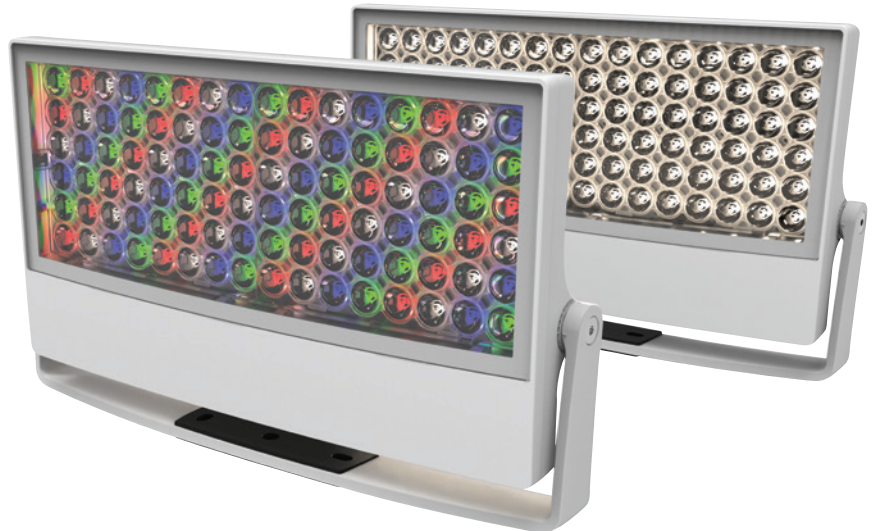
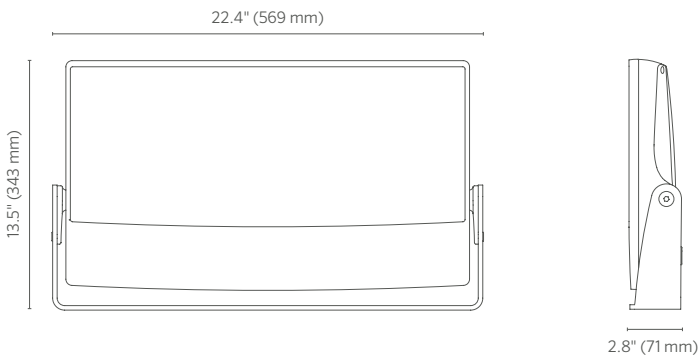


QUADRALUX Q8 SPOTLIGHT

	LS9180	LS9182
LUMENS (4,000 K):	16,760 lm	14,850 lm
LUMENS (RGBW):	8,920 lm	-
POWER CONSUMPTION:	< 160 W	< 119 W, < 132 W
CONTROLS:	PowerSync	DALI, 0 to 10 V, Non-Dimmable
LED COLOR OPTIONS:		
BEAM ANGLES:	4.5°, 5°, 10°, 15°, 30°, 45°, 65°, 10° x 40°, 40° x 10°, 10° x 60°, 60° x 10°, 20° x 40°, 40° x 20°, 20° x 60°, 60° x 20°	
INPUT VOLTAGE:	220 to 240 Vac, 50 Hz (International) 120/277 Vac, 60 Hz (North America)	
WEIGHT:	28.6 lb (13.0 kg)	
AMBIENT TEMPERATURE:	-40°F to 122°F (-40°C to 50°C)	

KEY FEATURES

- Up to 1.3 million candela peak intensity!
- Efficient designer optics with many precision beam angles
- IP66/67 (Passes IP68 test)
- OptiClear™ toughened glass front lens
- MicroAntileach™, moisture-blocking cable system
- High-grade, UV-resistant underwater-rated cable
- Constant torque, adjustable mounting brackets
- Flexible glare and beam accessories
- Long circuit lengths and large circuit luminaire counts

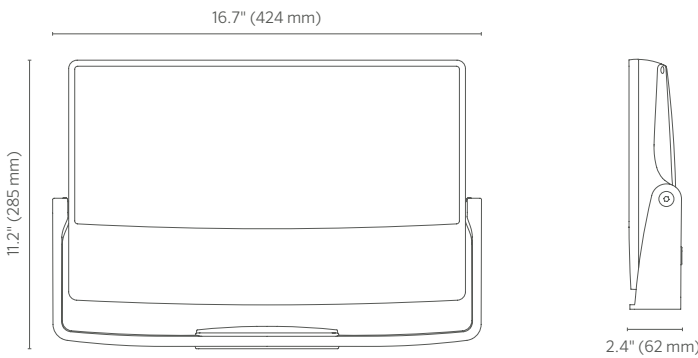


QUADRALUX Q6 SPOTLIGHT

	LS9160	LS9162
LUMENS (4,000 K):	8,280 lm	14,860 lm
LUMENS (RGBW):	4,570 lm	-
POWER CONSUMPTION:	< 86 W	< 69 W, < 80 W
CONTROLS:	PowerSync	DALI, 0 to 10 V, Non-Dimmable
LED COLOR OPTIONS:		
BEAM ANGLES:	4.5°, 5°, 10°, 15°, 30°, 45°, 65°, 10° x 40°, 40° x 10°, 10° x 60°, 60° x 10°, 20° x 40°, 40° x 20°, 20° x 60°, 60° x 20°	
INPUT VOLTAGE:	220 to 240 Vac, 50 Hz (International) 120/277 Vac, 60 Hz (North America)	
WEIGHT:	15.4 lb (7.0 kg)	
AMBIENT TEMPERATURE:	-40°F to 122°F (-40°C to 50°C)	

KEY FEATURES

- Up to 672,000 candela peak intensity!
- Efficient designer optics with many precision beam angles
- IP66/67 (Passes IP68 test)
- OptiClear™ toughened glass front lens
- MicroAntileach™, moisture-blocking cable system
- High-grade, UV-resistant underwater-rated cable
- Constant torque, adjustable mounting brackets
- Flexible glare and beam accessories
- Long circuit lengths and large circuit luminaire counts

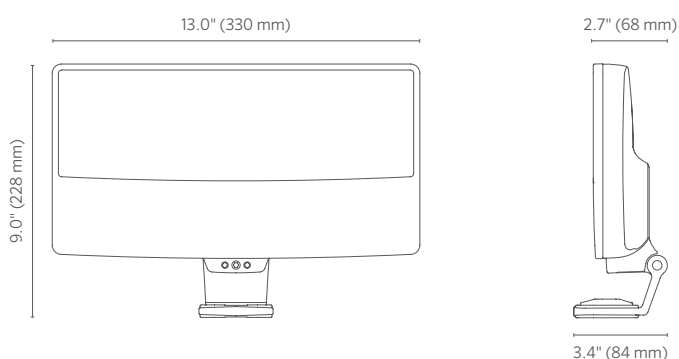


QUADRALUX Q4 SPOTLIGHT

	LS9140	LS9142
LUMENS (4,000 K):	5,800 lm	5,430 lm
LUMENS (RGBW):	3,060 lm	-
POWER CONSUMPTION:	< 58 W	< 48 W
CONTROLS:	PowerSync	DALI, 0 to 10 V, Non-Dimmable
LED COLOR OPTIONS:		
BEAM ANGLES:	6°, 10°, 15°, 30°, 45°, 65°, 10° x 40°, 40° x 10°, 10° x 60° 60° x 10°, 20° x 40°, 40° x 20°, 20° x 60°, 60° x 20°	
INPUT VOLTAGE:	220 to 240 Vac, 50 Hz (International) 120/277 Vac, 60 Hz (North America)	
WEIGHT:	7.0 lb (3.2 kg)	
AMBIENT TEMPERATURE:	-40°F to 122°F (-40°C to 50°C)	

KEY FEATURES

- Efficient designer optics with many precision beam angles
- IP66/67 (Passes IP68 test)
- OptiClear™ toughened glass front lens
- MicroAntileach™, moisture-blocking cable system
- High-grade, UV-resistant underwater-rated cable
- Constant torque, reversible, adjustable mounting bracket
- Flexible glare and beam accessories
- Long circuit lengths and large circuit luminaire counts

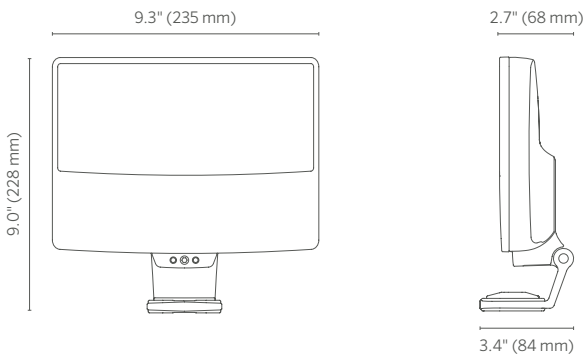


QUADRALUX Q2 SPOTLIGHT

	LS9120	LS9122
LUMENS (4,000 K):	3,340 lm	3,730 lm
LUMENS (RGBW):	1,890 lm	-
POWER CONSUMPTION:	< 35 W	< 33 W
CONTROLS:	PowerSync	DALI, 0 to 10 V, Non-Dimmable
LED COLOR OPTIONS:		
BEAM ANGLES:	6°, 10°, 15°, 30°, 45°, 65°, 10° x 40°, 40° x 10°, 10° x 60° 60° x 10°, 20° x 40°, 40° x 20°, 20° x 60°, 60° x 20°	
INPUT VOLTAGE:	220 to 240 Vac, 50 Hz (International) 120/277 Vac, 60 Hz (North America)	
WEIGHT:	5.2 lb (2.4 kg)	
AMBIENT TEMPERATURE:	-40°F to 122°F (-40°C to 50°C)	

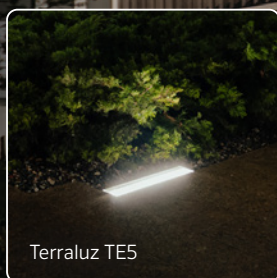
KEY FEATURES

- Efficient designer optics with many precision beam angles
- IP66/67 (Passes IP68 test)
- OptiClear™ toughened glass front lens
- MicroAntileach™, moisture-blocking cable system
- High-grade, UV-resistant underwater-rated cable
- Constant torque, reversible, adjustable mounting bracket
- Flexible glare and beam accessories
- Long circuit lengths and large circuit luminaire counts



In-ground design. *Sky-high impact.*

The **Terraluz TE5** Linear In-Ground luminaire combines unmatched technology and performance in a discreet linear design that makes architecture shine from the ground up. Choose from multiple lengths in white or color-changing applications.




Terraluz TE5

ARCHITECTURAL & FACADE LIGHTING
Learn more. Visit lumascope.com

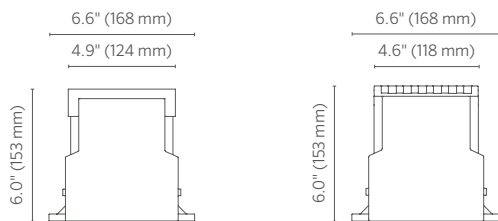
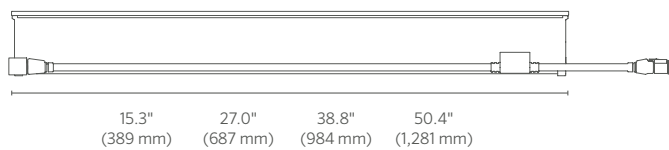
 LUMASCAPE

TERRALUZ TE5 LINEAR IN-GROUND

	LS3150
LUMENS (4,000 K):	1,945 lm/ft
LUMENS (RGBW):	1,325 lm/ft
POWER CONSUMPTION:	< 19 W/ft, < 24 W/ft
CONTROLS:	PowerSync, Non-Dimmable
LED COLOR OPTIONS:	
BEAM ANGLES:	6°, 10°, 15°, 30°, 45°, 60°, 10° x 40°, 10° x 60°, 20° x 40°, 20° x 60°, 100°, Asymmetric
INPUT VOLTAGE:	220 to 240 Vac, 50 Hz (International) 120/277 Vac, 60 Hz (North America)
WEIGHT:	14.8 lb (6.7 kg) for 4' (1.2 m) section
AMBIENT TEMPERATURE:	-40°F to 122°F (-40°C to 50°C)

KEY FEATURES

- Efficient designer optics with many precision beam angles
- IP66/67 (Passes IP68 test)
- OptiClear™ toughened glass front lens
- MicroAntileach™, moisture-blocking cable system
- High-grade, UV-resistant underwater-rated cable
- 100% factory sealed
- ± 15° tilt adjustment without unsealing
- Robust modular pre-installation system
- Can be installed end-to-end for continuous linear lighting
- Flexible glare and beam accessories
- Plug-and-play connections for easy installation
- Control resolutions 12.0" (300 mm) and full luminaire
- Long circuit lengths and large circuit luminaire counts
- Luminaires, controllers and cables have their own compliances providing greater system flexibility



With Stainless Steel Trim

Without Stainless Steel Trim



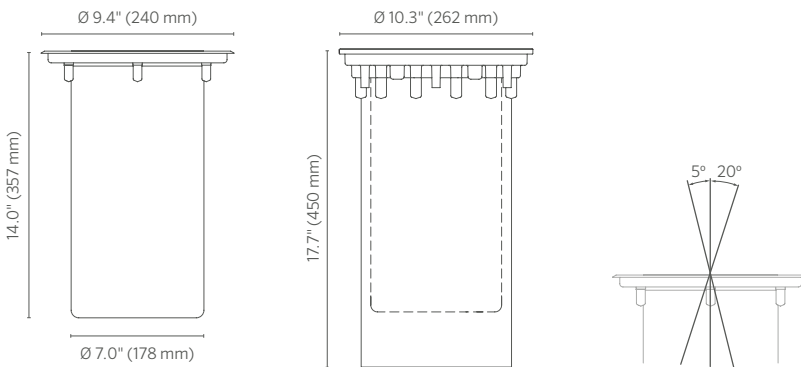
ERDEN E8 IN-GROUND

LS3080

LUMENS (4,000 K):	3,790 lm
LUMENS (RGBW):	1,970 lm
POWER CONSUMPTION:	≤ 40 W
CONTROLS:	PowerSync, Non-Dimmable
LED COLOR OPTIONS:	
BEAM ANGLES:	6°, 15°, 30°, 45°, 60°, 10° x 40°, 40° x 10°, 10° x 60°, 60° x 10°, 20° x 40°, 40° x 20°, 20° x 60°, 60° x 20°
INPUT VOLTAGE:	220 to 240 Vac, 50 Hz (International) 120/277 Vac, 60 Hz (North America)
WEIGHT:	15.0 lb (6.8 kg)
STATIC LOAD RATING:	9,259 lb (4,200 kg)
AMBIENT TEMPERATURE:	-4°F to 122°F (-20°C to 50°C)

KEY FEATURES

- Suitable for pathways, pedestrian malls and other public areas
- Efficient designer optics with various precision beam angles
- Exceptional color mixing and color-over-angle performance
- IP68 to 33' (10 m)
- OptiClear™ toughened glass front lens
- MicroAntileach™, moisture-blocking cable system
- High-grade, UV-resistant underwater-rated cable
- Pre-installation, mounting collar and direct burial options
- Side and bottom entry
- 20° tilt and 360° rotation gimbal adjustment after installing
- Factory fitted glare and beam accessories
- Multiple lid styles and finishes available
- Long circuit lengths and large circuit luminaire counts
- Luminaires, controllers and cables have their own compliances providing greater system flexibility



Direct Burial

Pre-Installation

Gimbal Aiming

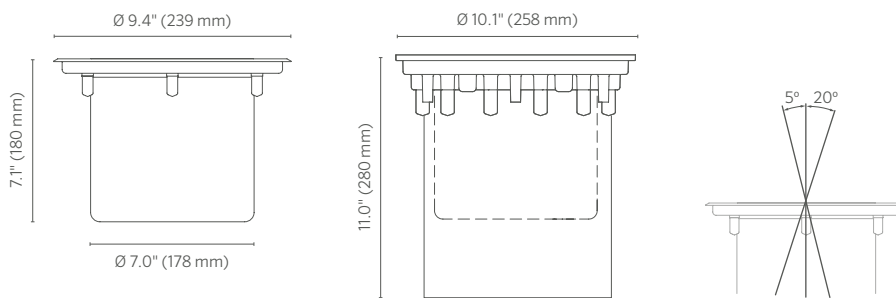


ERDEN E6 IN-GROUND

	LS3060	LS3062
LUMENS (4,000 K):	2,240 lm	2,460 lm
LUMENS (RGBW):	1,250 lm	-
POWER CONSUMPTION:	< 25 W	< 25 W
CONTROLS:	PowerSync	DALI, 0 to 10 V, Non-Dimmable
LED COLOR OPTIONS:		
BEAM ANGLES:	10°, 13°, 20°, 26°, 47°, 60°, 10° x 40°, 40° x 10°, 20° x 60°, 60° x 20°	
INPUT VOLTAGE:	220 to 240 Vac, 50 Hz (International) 120/277 Vac, 60 Hz (North America)	
WEIGHT:	8.8 lb (4.0 kg)	
STATIC LOAD RATING:	9,259 lb (4,200 kg)	
AMBIENT TEMPERATURE:	-4°F to 122°F (-20°C to 50°C)	

KEY FEATURES

- Suitable for pathways, pedestrian malls and other public areas
- Efficient designer optics with various precision beam angles
- Exceptional color mixing and color-over-angle performance
- IP68 to 33' (10 m)
- OptiClear™ toughened glass front lens
- MicroAntileach™, moisture-blocking cable system
- High-grade, UV-resistant underwater-rated cable
- Multiple lid styles and finishes available
- Pre-installation, mounting collar and direct burial options
- Side and bottom entry
- 20° tilt and 360° rotation gimbal adjustment after installing
- Factory fitted glare and beam accessories
- Long circuit lengths and large circuit luminaire counts
- Luminaires, controllers and cables have their own compliances providing greater system flexibility



Direct Burial

Pre-Installation

Gimbal Aiming

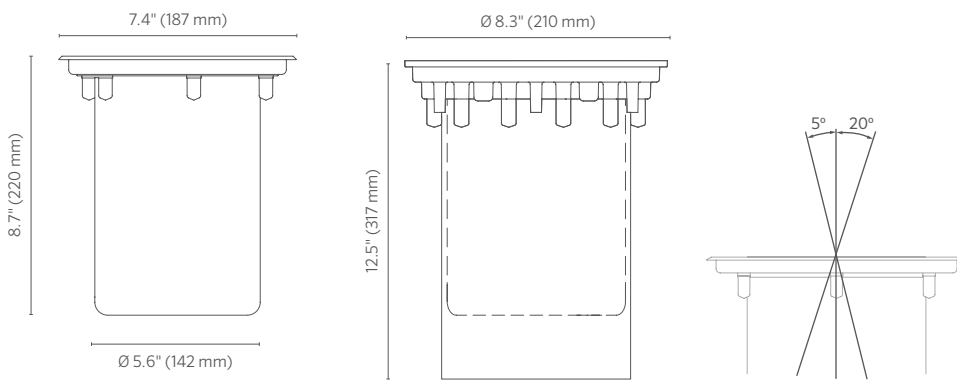


ERDEN E4 IN-GROUND

	LS3040	LS3042
LUMENS (4,000 K):	1,910 lm	1,850 lm
LUMENS (RGBW):	1,000 lm	-
POWER CONSUMPTION:	< 20 W	< 18 W
CONTROLS:	PowerSync	DALI, 0 to 10 V, Non-Dimmable
LED COLOR OPTIONS:		
BEAM ANGLES:	10°, 13°, 20°, 26°, 47°, 60°, 10° x 40°, 40° x 10°, 20° x 60°, 60° x 20°	
INPUT VOLTAGE:	220 to 240 Vac, 50 Hz (International) 120/277 Vac, 60 Hz (North America)	
WEIGHT:	8.8 lb (4.0 kg)	
STATIC LOAD RATING:	3,968 lb (1,800 kg)	
AMBIENT TEMPERATURE:	-4°F to 122°F (-20°C to 50°C)	

KEY FEATURES

- Suitable for pathways, pedestrian malls and other public areas
- Efficient designer optics with various precision beam angles
- Exceptional color mixing and color-over-angle performance
- IP68 to 33' (10 m)
- OptiClear™ toughened glass front lens
- MicroAntileach™, moisture-blocking cable system
- High-grade, UV-resistant underwater-rated cable
- Multiple lid styles and finishes available
- Pre-installation, mounting collar and direct burial options
- Side and bottom entry
- 20° tilt and 360° rotation gimbal adjustment after installing
- Factory fitted glare and beam accessories
- Long circuit lengths and large circuit luminaire counts
- Luminaires, controllers and cables have their own compliances providing greater system flexibility





Direct Burial

Pre-Installation

Gimbal Aiming

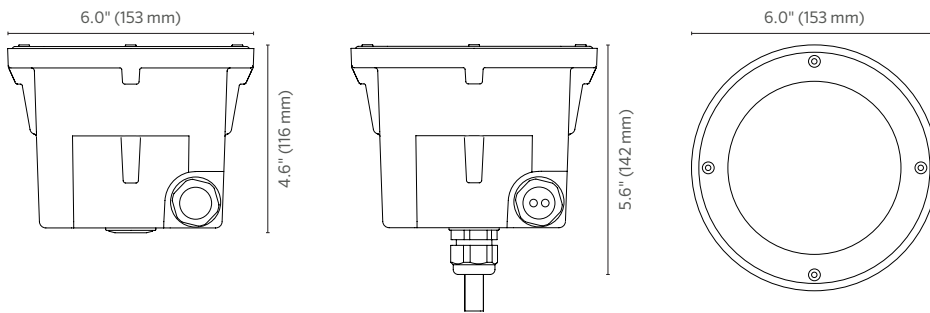


ERDEN BRASS EB3 IN-GROUND


	LS3330	LS3332
LUMENS (4,000 K):	1,420 lm	1,400 lm
LUMENS (RGBW):	890 lm	-
POWER CONSUMPTION:	< 15 W	< 14 W
CONTROLS:	PowerSync	DALI, 0 to 10 V, Non-Dimmable
LED COLOR OPTIONS:		
BEAM ANGLES:	Vertical	10°, 13°, 20°, 33°, 47°, 10° x 40°, 40° x 10°, 20° x 66°, 66° x 20°
	Angled	12°, 20°, 36°, 47°, 20° x 40°, 40° x 20°, 25° x 60°, 60° x 25°
INPUT VOLTAGE:	30 Vdc	220 to 240 Vac, 50 Hz (International) 120/277 Vac, 60 Hz (North America)
WEIGHT:	6.2 lb (2.8 kg)	
STATIC LOAD RATING:	2,866 lb (1,300 kg)	
AMBIENT TEMPERATURE:	-4°F to 122°F (-20°C to 50°C)	

KEY FEATURES

- Suitable for pathways, pedestrian malls and other public areas
- Efficient designer optics with various precision beam angles
- Exceptional color mixing and color-over-angle performance
- IP68
- OptiClear™ toughened glass front lens
- MicroAntileach™, moisture-blocking cable system
- High-grade, UV-resistant underwater-rated cable
- Brass or marine-grade 316 stainless steel lid options
- Pre-installation and direct burial options
- Side and bottom entry
- 0° or 15° tilt adjustment
- 360° rotation within the pre-installation sleeve without disassembly or unsealing
- Factory fitted glare and beam accessories
- Luminaires, controllers and cables have their own compliances providing greater system flexibility

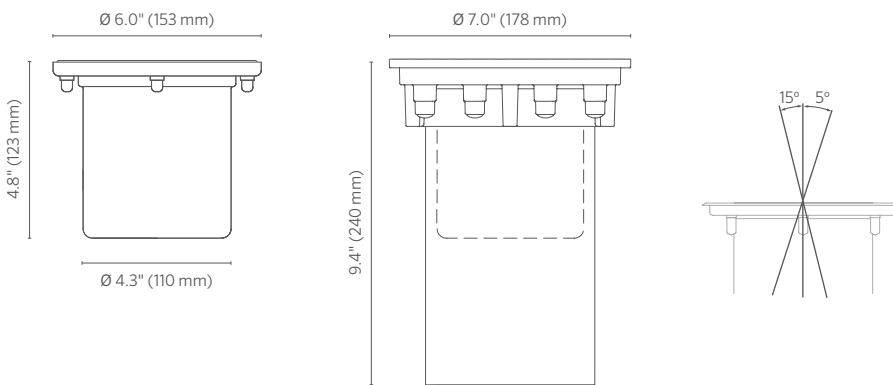


EVOCA EV4 IN-GROUND

	LS393LED
LUMENS (4,000 K)	550 lm
LUMENS (RGB):	230 lm
POWER CONSUMPTION:	< 8 W
CONTROLS:	PWM, Non-Dimmable
LED COLOR OPTIONS:	
BEAM ANGLES:	14°, 30°, 40°, 40° x 20°
INPUT VOLTAGE:	220 to 240 Vac, 50 Hz or 24 Vdc (International) 120/277 Vac, 60 Hz or 12 to 15 Vac, 12 to 24 Vdc (North America)
WEIGHT:	4.4 lb (2.0 kg)
STATIC LOAD RATING:	8,267 lb (3,750 kg)
AMBIENT TEMPERATURE:	-4°F to 122°F (-20°C to 50°C)

KEY FEATURES

- Suitable for pathways, pedestrian malls and other public areas
- IP68 to 33' (10 m)
- OptiClear™ toughened glass front lens
- MicroAntileach™, moisture-blocking cable system
- High-grade, UV-resistant underwater-rated cable
- Suitable for drive-over applications
- Multiple lid styles and finishes available
- Pre-installation, mounting collar and direct burial options
- Side and bottom entry
- 20° tilt and 360° rotation gimbal adjustment after installing
- Adjustable and fixed bracket mounting options
- Long circuit lengths and large circuit luminaire counts
- Luminaires, controllers and cables have their own compliances providing greater system flexibility




Direct Burial

Pre-Installation

Gimbal Aiming

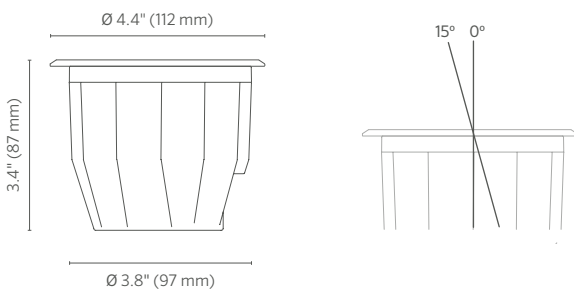


EVOCA EV7 IN-GROUND

	LS793LED
LUMENS (4,000 K)	906 lm
LUMENS (RGB):	226 lm
POWER CONSUMPTION:	< 10 W
CONTROLS:	PWM, Non-Dimmable
LED COLOR OPTIONS:	
BEAM ANGLES:	20°, 30°, 20°x40°, 40°x20°
INPUT VOLTAGE:	24 Vdc (International) 12 to 15 Vac, 12 to 24 Vdc (North America)
WEIGHT:	2.2 lb (1.0 kg)
STATIC LOAD RATING:	1,650 lb (750 kg)
AMBIENT TEMPERATURE:	-4°F to 122°F (-20°C to 50°C)

KEY FEATURES




- Suitable for pathways, pedestrian malls and other public areas
- IP68 to 33' (10 m)
- DZR brass construction
- OptiClear™ toughened glass front lens
- MicroAntileach™, moisture-blocking cable system
- High-grade, UV-resistant underwater-rated cable
- Side and bottom entry
- Available with either 0° or 15° tilt



Aiming Options

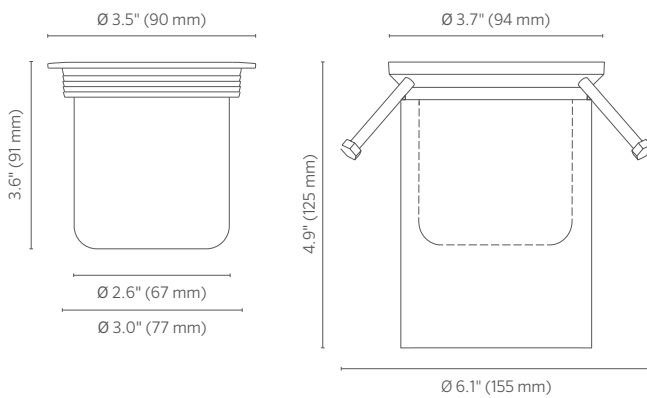


VEDI VD1 IN-GROUND

	LS563LED
LUMENS (4,000 K):	325 lm
LUMENS (RGB):	159 lm
POWER CONSUMPTION:	< 3 W
CONTROLS:	PWM, Non-Dimmable
LED COLOR OPTIONS:	  
BEAM ANGLES:	20°, 25°, 40°, 100°
INPUT VOLTAGE:	220 to 240 Vac, 50 Hz (International) 24 Vdc (International) 120 Vac, 60 Hz (North America) 12 to 15 Vac, 12 to 24 Vdc (North America)
WEIGHT:	3.75 lb (1.7 kg)
STATIC LOAD RATING:	2,425 lb (1,100 kg)
AMBIENT TEMPERATURE:	-4°F to 122°F (-20°C to 50°C)

KEY FEATURES

- Suitable for pathways, pedestrian malls and other public areas
- IP68 to 6' (2 m)
- MicroAntileach™, moisture-blocking cable system
- High-grade, UV-resistant underwater-rated cable
- Suitable for drive-over applications
- Line voltage and extra low voltage options
- Long circuit lengths and large circuit luminaire counts




Direct Burial

Pre-Installation

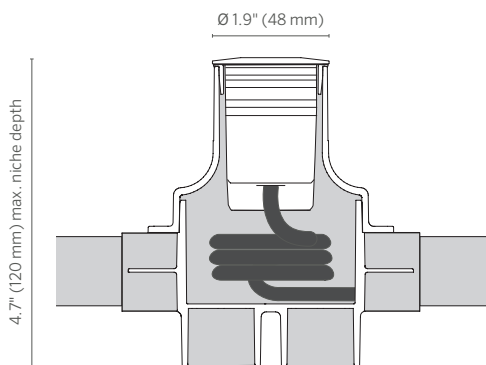


VEDITA VE3 IN-GROUND MARKER

	LS9403LED
LUMENS (4,000 K):	184 lm
POWER CONSUMPTION:	< 3 W
CONTROLS:	PWM, Non-Dimmable
LED COLOR OPTIONS:	
BEAM ANGLES:	14°, 20°, 30°, 10° x 40°, Flood
INPUT VOLTAGE:	24 Vdc (International) 12 to 15 Vac, 12 to 24 Vdc (North America)
WEIGHT:	2.2 lb (1.0 kg)
STATIC LOAD RATING:	992 lb (450 kg)
AMBIENT TEMPERATURE:	-4°F to 122°F (-20°C to 50°C)


KEY FEATURES

- Suitable for pathways, pedestrian malls and other public areas
- IP68 to 6' (2 m)
- OptiClear™ toughened glass front lens
- MicroAntileach™, moisture-blocking cable system
- High-grade, UV-resistant underwater-rated cable
- Preinstallation niche for easy installation



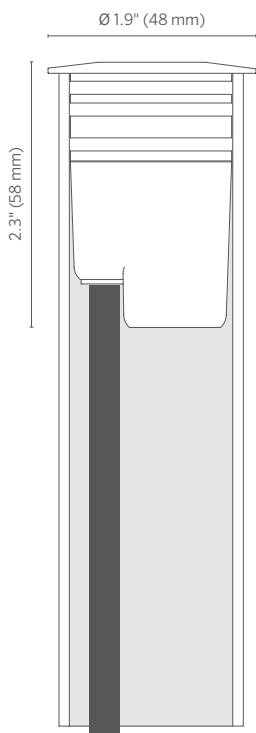
VEDITA VE1 IN-GROUND MARKER

LS9401LED


LUMENS (4,000 K):	184 lm
POWER CONSUMPTION:	< 3 W
CONTROLS:	PWM, Non-Dimmable
LED COLOR OPTIONS:	
BEAM ANGLES:	14°, 20°, 30°, 10° x 40°, Flood
INPUT VOLTAGE:	24 Vdc (International) 12 to 15 Vac, 12 to 24 Vdc (North America)
WEIGHT:	1.1 lb (0.5 kg)
STATIC LOAD RATING:	992 lb (450 kg)
AMBIENT TEMPERATURE:	-4°F to 122°F (-20°C to 50°C)

KEY FEATURES

- Suitable for pathways, pedestrian malls and other public areas
- IP68 to 6' (2 m)
- OptiClear™ toughened glass front lens
- MicroAntileach™, moisture-blocking cable system
- High-grade, UV-resistant underwater-rated cable
- Preinstallation niche for easy installation

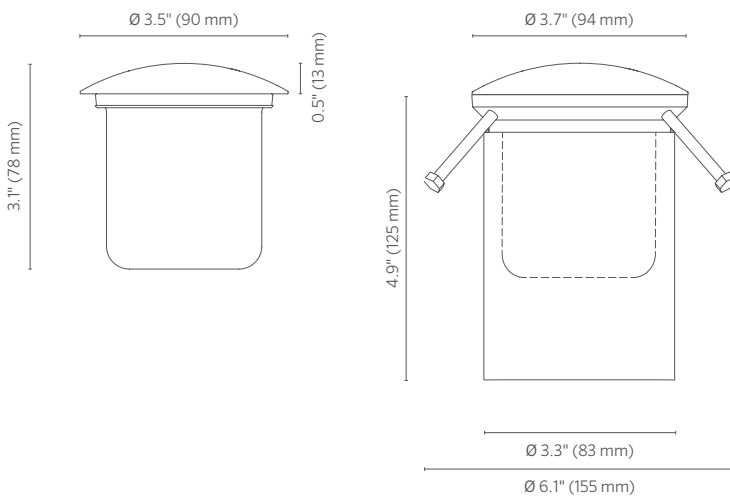


VIA V11 IN-GROUND

	LS553LED
LUMENS (4,000 K)	184 lm
POWER CONSUMPTION:	< 3 W
CONTROLS:	PWM, Non-Dimmable
LED COLOR OPTIONS:	
BEAM ANGLES:	1 x 120°, 2 x 120°, 4 x 85°, 8 x 40°
INPUT VOLTAGE:	220 to 240 Vac, 50 Hz (International) 24 Vdc (International) 120 Vac, 60 Hz (North America) 12 to 15 Vac, 12 to 24 Vdc (North America)
WEIGHT:	4.5 lb (2.0 kg)
STATIC LOAD RATING:	Up to 4,400 lb (2,000 kg)
AMBIENT TEMPERATURE:	-4°F to 122°F (-20°C to 50°C)

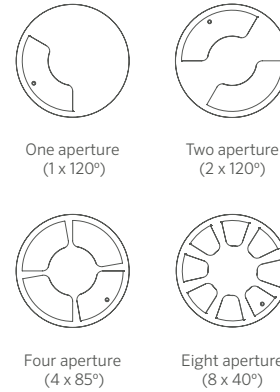
KEY FEATURES

- Suitable for pathways, pedestrian malls and other public areas
- Side-emitting marker light
- IP68 to 6' (2 m)
- OptiClear™ toughened glass front lens
- MicroAntileach™, moisture-blocking cable system
- High-grade, UV-resistant underwater-rated cable
- Turtle-Friendly (Florida Fish and Wildlife Certified)



Direct Burial

Pre-Installation

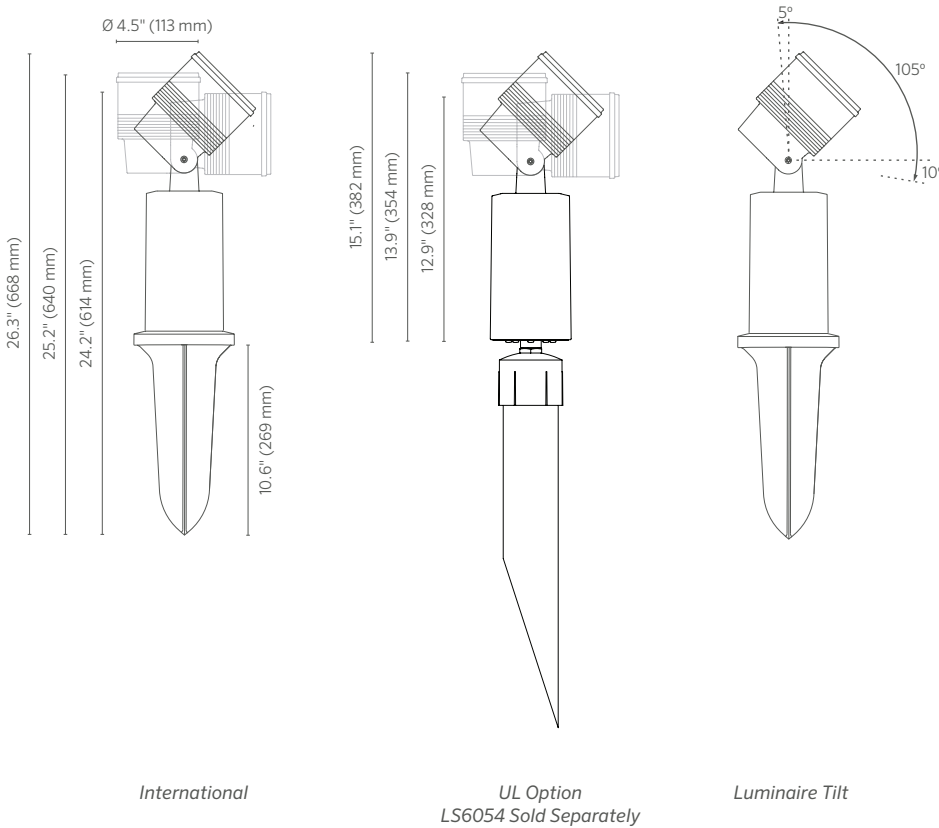


CENTRIA C1 CONCRETE ANCHOR SPOTLIGHT

	LS2010	LS2012
LUMENS (4,000 K):	2,110 lm	2,450 lm
LUMENS (RGBW):	1,120 lm	-
POWER CONSUMPTION:	< 25W	< 24 W
CONTROLS:	PowerSync	DALI, 0 to 10 V, Non-Dimmable
LED COLOR OPTIONS:		
BEAM ANGLES:	10°, 13°, 20°, 26°, 47°, 10° x 40°, 40° x 10°, 20° x 60°, 60° x 20°	
INPUT VOLTAGE:	30 to 48 Vdc 220 to 240 Vac, 50 Hz (International) 120/277 Vac, 60 Hz (North America)	
WEIGHT:	4.5 lb (2.0 kg)	
AMBIENT TEMPERATURE:	-40°F to 122°F (-40°C to 50°C)	

KEY FEATURES

- Efficient designer optics with various precision beam angles
- Exceptional color mixing and color-over-angle performance
- IP66/67 (Passes IP68 test)
- OptiClear™ toughened glass front lens
- 105° tilt and 365° rotation aiming
- Flexible glare and beam accessories
- Concrete anchor included
- Line voltage and extra low voltage options
- Long circuit lengths and large circuit luminaire counts

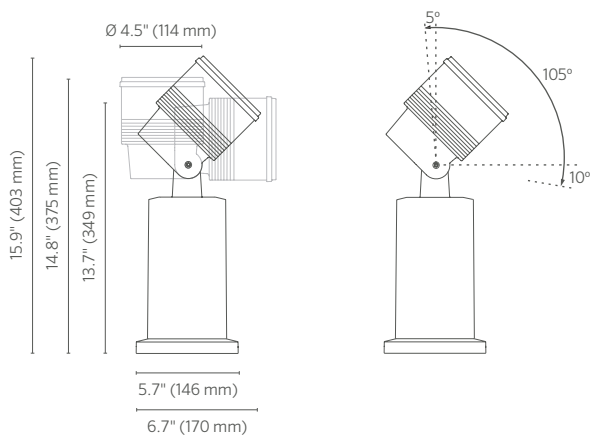


CENTRIA C2 GROUND MOUNT SPOTLIGHT

	LS2020	LS2022
LUMENS (4,000 K):	2,110 lm	2,450 lm
LUMENS (RGBW):	1,120 lm	-
POWER CONSUMPTION:	< 25 W	< 24 W
CONTROLS:	PowerSync	DALI, 0 to 10 V, Non-Dimmable
LED COLOR OPTIONS:		
BEAM ANGLES:	10°, 13°, 20°, 26°, 47°, 10° x 40°, 40° x 10°, 20° x 60°, 60° x 20°	
INPUT VOLTAGE:	30 to 48 Vdc 220 to 240 Vac, 50 Hz (International) 120/277 Vac, 60 Hz (North America)	
WEIGHT:	4.5 lb (2.0 kg)	
AMBIENT TEMPERATURE:	-40°F to 122°F (-40°C to 50°C)	

KEY FEATURES


- Efficient designer optics with various precision beam angles
- Exceptional color mixing and color-over-angle performance
- IP66/67 (Passes IP68 Test)
- OptiClear™ toughened glass front lens
- 105° tilt and 365° rotation aiming
- Flexible glare and beam accessories
- Line voltage and extra low voltage options



GROUND MOUNT

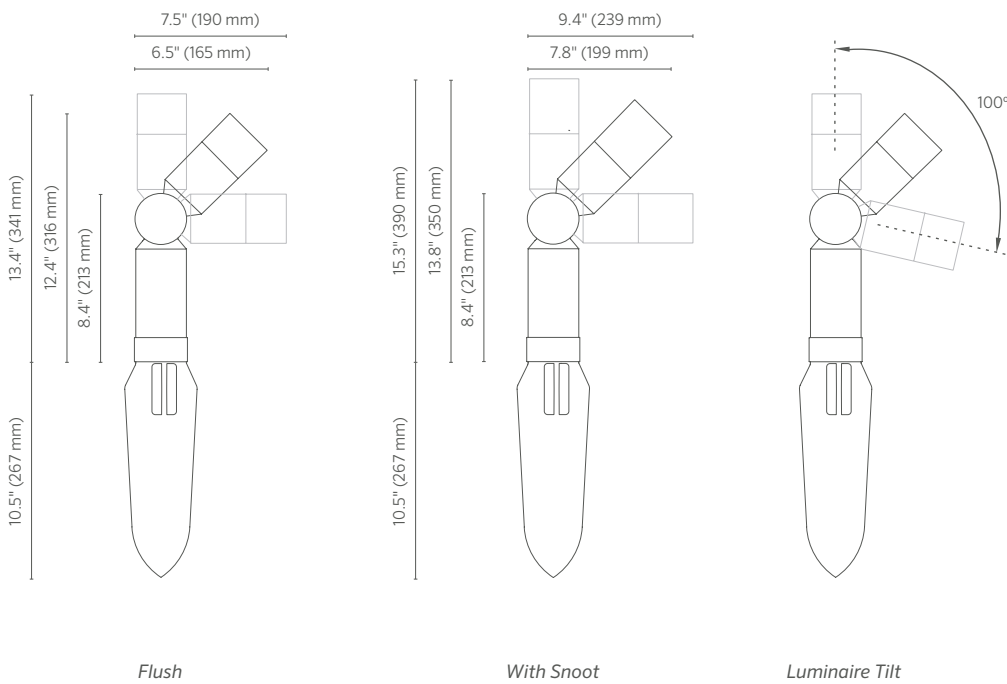


OMNIO OM2 CONCRETE ANCHOR SPOTLIGHT



	LS411COB
LUMENS (4,000 K)	1,410 lm
POWER CONSUMPTION:	< 26 W
CONTROLS:	Non-Dimmable
LED COLOR OPTIONS:	
BEAM ANGLES:	20°, 40°, 60°
INPUT VOLTAGE:	220 to 240 Vac, 50 Hz (International) 120/277 Vac, 60 Hz (North America)
WEIGHT:	4.2 lb (1.9 kg)
AMBIENT TEMPERATURE:	-4°F to 122°F (-20°C to 50°C)

KEY FEATURES

- IP67
- OptiClear™ toughened glass front lens
- Flexible aiming and adjustment
- Clean, simple styling
- Multiple flexible mounting options
- Concrete anchor included as standard (International market only)
- Next-generation "Chip on Board" Technology

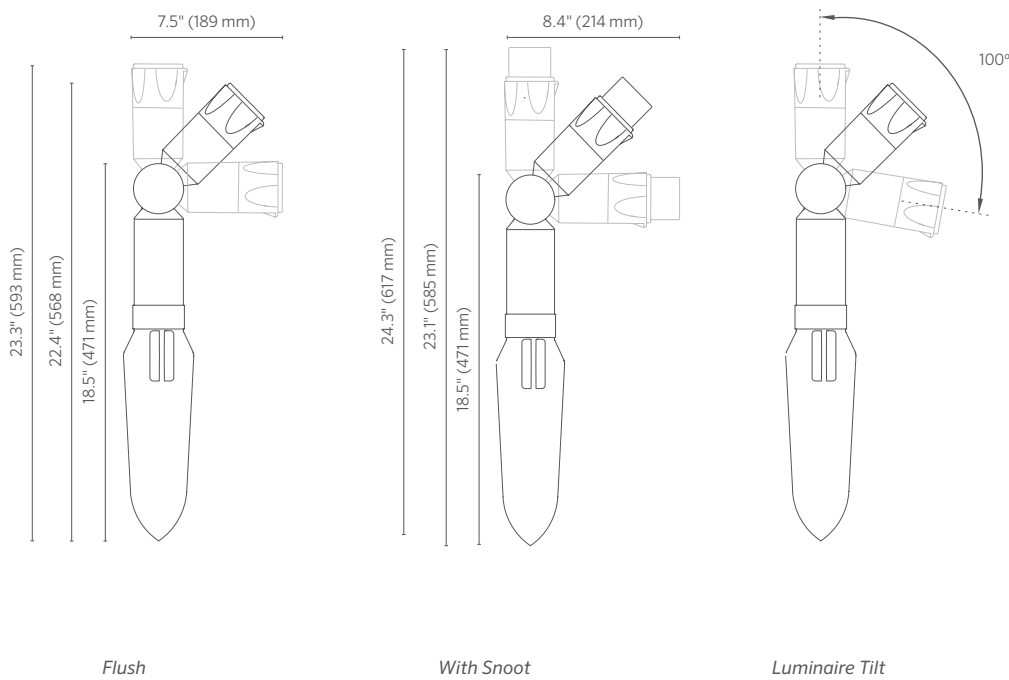


OMNIO OM1 CONCRETE ANCHOR SPOTLIGHT

	LS411LED
LUMENS (4,000 K):	940lm
POWER CONSUMPTION:	< 15 W
CONTROLS:	PWM, Non-Dimmable
LED COLOR OPTIONS:	 
BEAM ANGLES:	20°, 30°, 20° x 40°
INPUT VOLTAGE:	220 to 240 Vac, 50 Hz (International) 24 Vdc (International) 120/277 Vac, 60 Hz (North America) 12 to 15 Vac, 12 to 24 Vdc (North America)
WEIGHT:	4.2 lb (1.9 kg)
AMBIENT TEMPERATURE:	-4°F to 122°F (-20°C to 50°C)

KEY FEATURES


- IP67
- OptiClear™ toughened glass front lens
- Flexible aiming and adjustment
- Clean, simple styling
- Multiple flexible mounting options
- Concrete anchor included as standard (International market only)



GROUND MOUNT

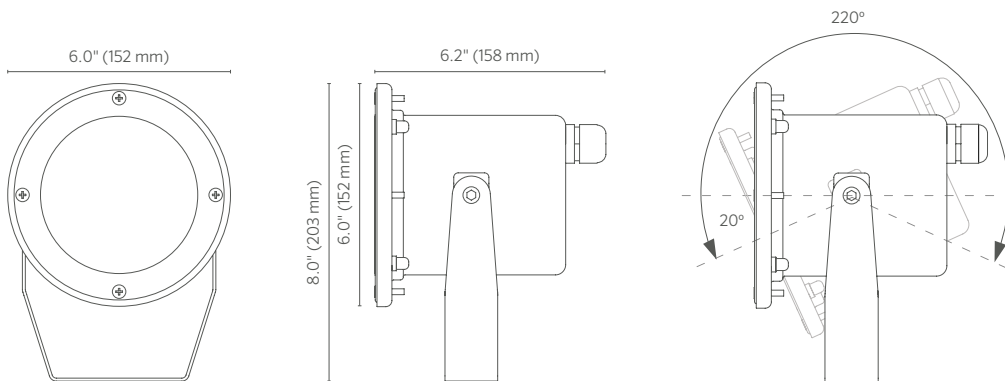


WODA W3 GROUND-MOUNTED PROJECTOR


	LS5030
LUMENS (4,000 K):	2,170 lm
LUMENS (RGBW):	1,270 lm
POWER CONSUMPTION:	< 25 W
CONTROLS:	PowerSync, Non-Dimmable
LED COLOR OPTIONS:	
BEAM ANGLES:	13°, 33°, 47°, 20° x 66°, 66° x 20°
INPUT VOLTAGE:	30 Vdc
WEIGHT:	7.7 lb (3.5 kg)
WATER TEMPERATURE:	-4°F to 95°F (-20°C to 35°C)

KEY FEATURES

- Suitable for use in underwater, temporary submersion and landscape applications
- Perfect for use in tidal and flood prone areas
- IP68 to 33' (10 m)
- OptiClear™ toughened glass front lens
- MicroAntiLeach™ moisture blocking cable system
- High-grade, UV-resistant underwater rated cable
- 100% factory sealed
- 220° adjustability
- Easy installation with 1 or 2 hole fixing mount yoke
- Factory fitted glare and beam accessories

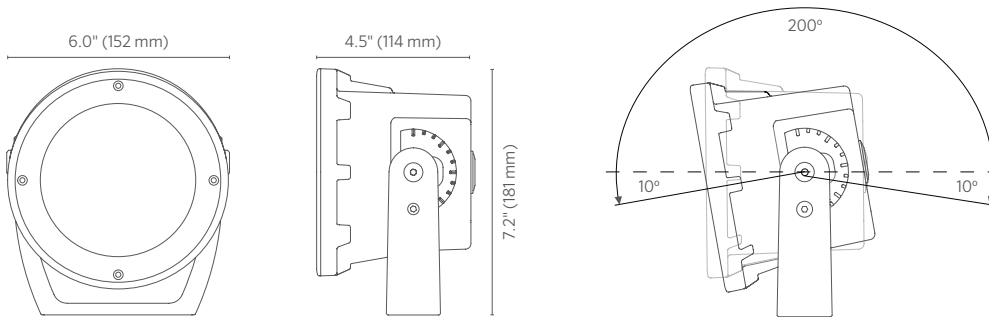


WODA BRASS WB3 GROUND-MOUNTED PROJECTOR

	LS5330
LUMENS (4,000 K):	1,440 lm
LUMENS (RGBW):	880 lm
POWER CONSUMPTION:	< 15 W
CONTROLS:	PowerSync, Non-Dimmable
LED COLOR OPTIONS:	
BEAM ANGLES:	10°, 13°, 20°, 33°, 47°, 20° x 66°, 66° x 20°
INPUT VOLTAGE:	30 Vdc
WEIGHT:	10.4 lb (4.7 kg)
WATER TEMPERATURE:	-4°F to 95°F (-20°C to 35°C)
AMBIENT TEMPERATURE:	-4°F to 95°F (-20°C to 50°C)

KEY FEATURES

- Suitable for use in underwater, temporary submersion and landscape applications
- IP68 to 33' (10 m)
- OptiClear™ toughened glass front lens
- MicroAntiLeach™ moisture blocking cable system
- High-grade, UV-resistant underwater rated cable
- 100% factory sealed
- 200° adjustability with 15° adjustment markings for easier aiming
- Easy installation with 1 or 2 hole fixing mount yoke
- Factory fitted glare and beam accessories




GROUND MOUNT



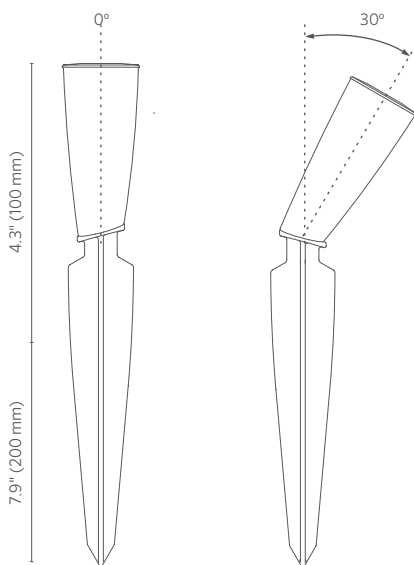
VEDITA VE2 SPIKE MOUNTED

LS9402LED

LUMENS (4,000 K):	184 lm
POWER CONSUMPTION:	2.8 W
CONTROLS:	PWM, Non-Dimmable
LED COLOR OPTIONS:	
BEAM ANGLES:	14°, 20°, 30°, 10° x 40°, Flood
INPUT VOLTAGE:	24 Vdc (International) 12 to 15 Vac, 12 to 24 Vdc (North America)
WEIGHT:	1.1 lb (0.5 kg)
AMBIENT TEMPERATURE:	-4°F to 122°F (-20°C to 50°C)

KEY FEATURES

- IP68 to 6' (2 m)
- OptiClear™ toughened glass front lens
- MicroAntiLeach™ moisture blocking cable system
- High-grade UV-resistant underwater rated cable
- Stake can be set at 0° or 30° to suit any landscape application
- Field configurable spike orientation



Vertical

Luminaire Tilt





GROUND MOUNT

Beauty That Extends Beyond Four Walls

Advanced Lumascope lighting technologies offer single and dynamic color with dimming capabilities, so you can create a one-of-a-kind look for any building. For the perfect combination of beauty, efficiency, and safety, Lumascope lighting solutions deliver everything you need to elevate your exterior workspace.



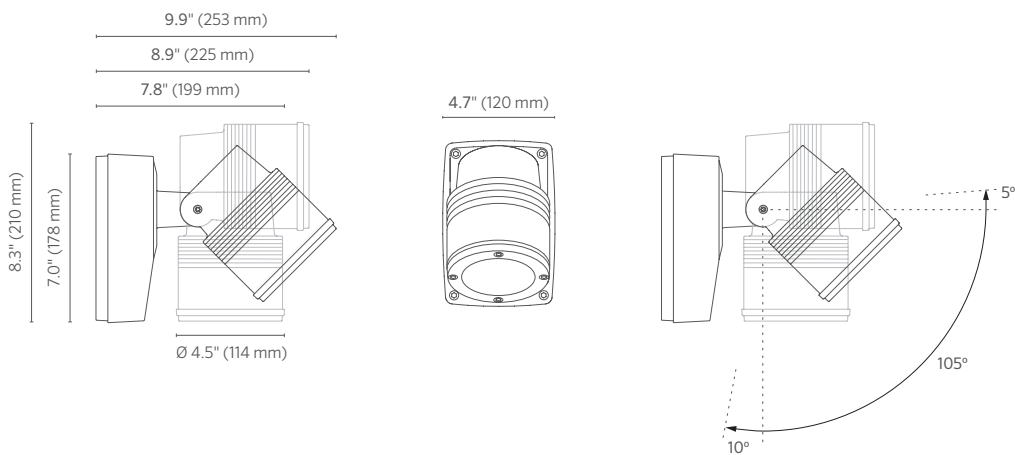
Bobrowiecka 6 & 8, Warsaw, Poland
Photo by Marek Gajewski

CENTRIA C4 SURFACE-MOUNTED SPOTLIGHT


	LS1010	LS1012
LUMENS (4,000 K)	2,110 lm	2,560 lm
LUMENS (RGBW):	1,120 lm	-
POWER CONSUMPTION:	< 25 W	< 24 W
CONTROLS:	PowerSync	DALI, 0 to 10 V, Non-Dimmable
LED COLOR OPTIONS:		
BEAM ANGLES:	10°, 13°, 20°, 26°, 47°, 10° x 40°, 40° x 10°, 20° x 60°, 60° x 20°	
INPUT VOLTAGE:	30 to 48 Vdc 220 to 240 Vac, 50 Hz (International) 120/277 Vac, 60 Hz (North America)	
WEIGHT:	4.5 lb (2.0 kg)	
AMBIENT TEMPERATURE:	-40°F to 122°F (-40°C to 50°C)	

KEY FEATURES

- Efficient designer optics with various precision beam angles
- Exceptional color mixing and color-over-angle performance
- IP66/67 (Passes IP68 test)
- OptiClear™ toughened glass front lens
- 105° tilt and 365° rotation aiming
- Flexible glare and beam accessories
- Line voltage and extra low voltage options

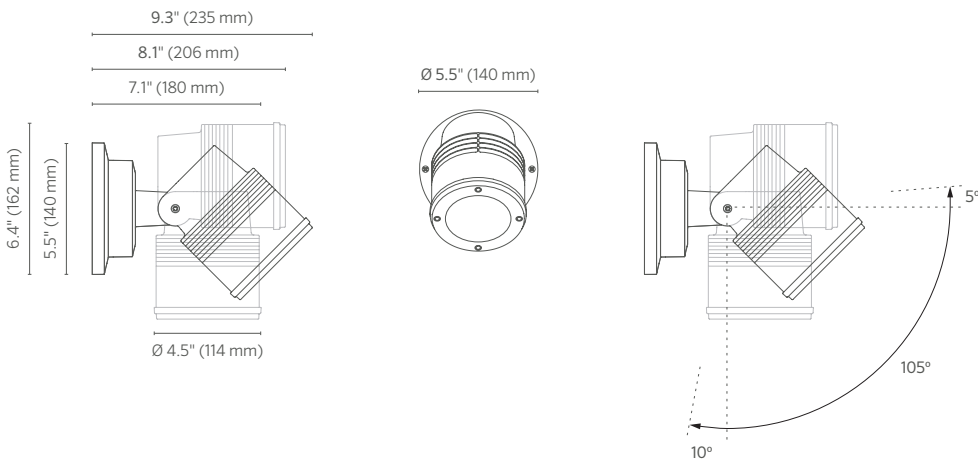


CENTRIA C3 SURFACE-MOUNTED SPOTLIGHT

	LS1015
LUMENS (4,000 K)	2,110 lm
LUMENS (RGBW):	1,120 lm
POWER CONSUMPTION:	< 26 W
CONTROLS:	PowerSync, Non-Dimmable
LED COLOR OPTIONS:	
BEAM ANGLES:	10°, 13°, 20°, 26°, 47°, 10° x 40°, 40° x 10°, 20° x 60°, 60° x 20°
INPUT VOLTAGE:	30 to 48 Vdc
WEIGHT:	4.5 lb (2.0 kg)
AMBIENT TEMPERATURE:	-40°F to 122°F (-40°C to 50°C)


KEY FEATURES

- Efficient designer optics with various precision beam angles
- Exceptional color mixing and color-over-angle performance
- IP66/67 (Passes IP68 test)
- OptiClear™ toughened glass front lens
- 105° tilt and 365° rotation aiming
- Flexible glare and beam accessories



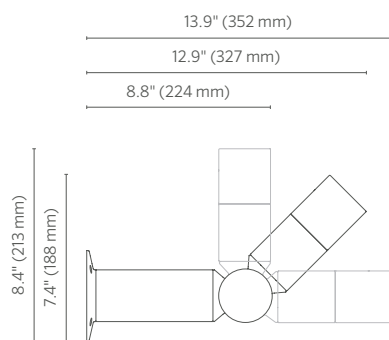
WALL-MOUNT

OMNIO OM2 SURFACE-MOUNTED SPOTLIGHT

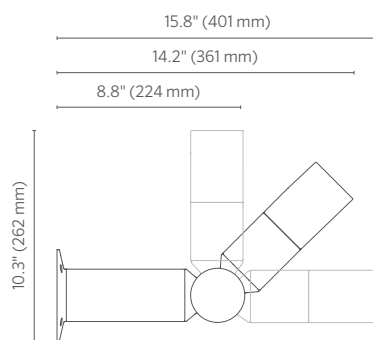
	LS411COB
LUMENS (4,000 K)	1,410 lm
POWER CONSUMPTION:	< 26 W
CONTROLS:	Non-Dimmable
LED COLOR OPTIONS:	
BEAM ANGLES:	20°, 40°, 60°
INPUT VOLTAGE:	220 to 240 Vac, 50 Hz (International) 120/277 Vac, 60 Hz (North America)
WEIGHT:	4.2 lb (1.9 kg)
AMBIENT TEMPERATURE:	-4°F to 122°F (-20°C to 50°C)

KEY FEATURES

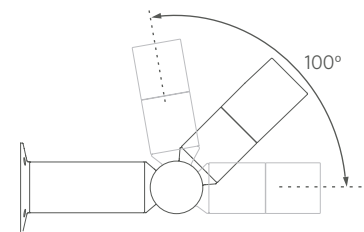
- IP67
- OptiClear™ toughened glass front lens
- Flexible aiming and adjustment
- Clean, simple styling
- Multiple flexible mounting options
- Next-generation "Chip on Board" Technology



Flush




With Snoot



Luminaire Tilt

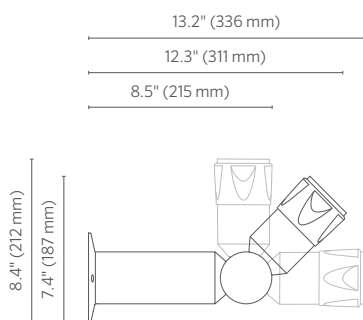


OMNIO OM1 SURFACE-MOUNTED SPOTLIGHT

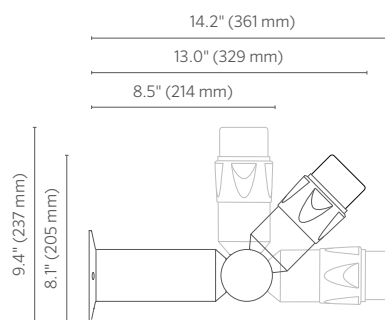
	LS411LED
LUMENS (4,000 K):	940lm
POWER CONSUMPTION:	< 15 W
CONTROLS:	PWM, Non-Dimmable
LED COLOR OPTIONS:	
BEAM ANGLES:	20°, 30°, 20° x 40°
INPUT VOLTAGE:	220 to 240 Vac, 50 Hz (International) 24 Vdc (International) 120/277 Vac, 60 Hz (North America) 12 to 15 Vac, 12 to 24 Vdc (North America)
WEIGHT:	4.2 lb (1.9 kg)
AMBIENT TEMPERATURE:	-4°F to 122°F (-20°C to 50°C)

KEY FEATURES

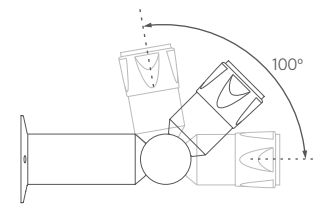
- IP67
- OptiClear™ toughened glass front lens
- Flexible aiming and adjustment
- Clean, simple styling
- Multiple flexible mounting options



Flush




With Snoot



Luminaire Tilt



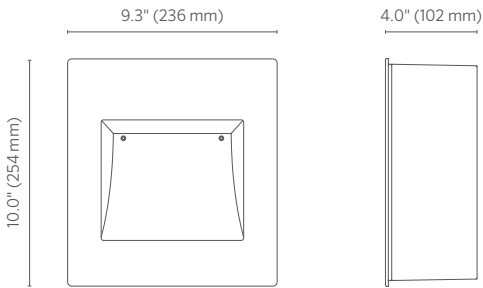
NOOK NK4 STEP LIGHT

	LS1265
LUMENS (3,000 K):	Up to 1,755 lm
POWER CONSUMPTION:	< 25 W
LED COLOR OPTIONS:	
BEAM ANGLES:	Short, Medium, Long Throw
INPUT VOLTAGE:	220 to 240 Vac/Vdc, 50 Hz (International) 120 Vac/Vdc, 60 Hz (North America) 110 to 277 Vac/Vdc, 60 Hz (North America)
WEIGHT:	8.2 lb (3.7 kg)
AMBIENT TEMPERATURE:	-13°F to 140°F (-25°C to 60°C)

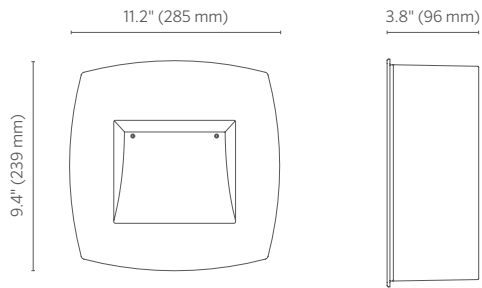
KEY FEATURES

- Small footprint for commercial lighting needs
- IP66
- Clean trim with hardware tucked underneath aperture
- Tamper-resistant hardware
- Factory-sealed construction and installation
- Available in multiple styles

Square Style




Eased Square Style



WALL-MOUNT

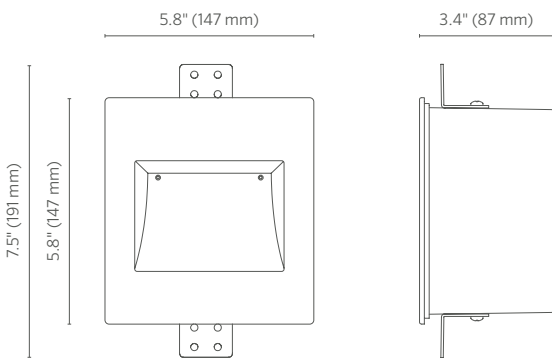


NOOK NK2 STEP LIGHT

	LS1260
LUMENS (4,000 K):	600 lm
POWER CONSUMPTION:	< 6 W, < 10 W
LED COLOR OPTIONS:	
BEAM ANGLES:	Horizontal, Vertical
INPUT VOLTAGE:	220 to 240 Vac/Vdc, 50 Hz (International) 120 Vac/Vdc, 60 Hz (North America)
WEIGHT:	2.2 lb (1.0 kg)
AMBIENT TEMPERATURE:	-13°F to 140°F (-25°C to 60°C)

KEY FEATURES

- Small footprint for commercial lighting needs
- IP66
- Clean trim with hardware tucked underneath aperture
- Tamper-resistant hardware
- Factory-sealed construction and installation
- For upward or downward directions



This product is available in North America ONLY.



WALL-MOUNT

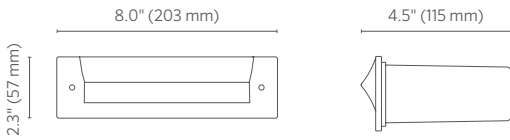
BEZEL BZ2 STEP LIGHT

	LS1230
LUMENS (4,000 K):	825 lm
LUMENS (RGBW):	165 lm
POWER CONSUMPTION:	< 4 W, < 9 W, < 12 W
LED COLOR OPTIONS:	
BEAM ANGLES:	Floor Graze, Performance Wash
INPUT VOLTAGE:	12 Vac/dc 220 to 240 Vac/Vdc, 50 Hz (International) 120 Vac/Vdc, 60 Hz (North America)
WEIGHT:	1.8 lb (0.8 kg)
AMBIENT TEMPERATURE:	-13°F to 140°F (-25°C to 60°C)

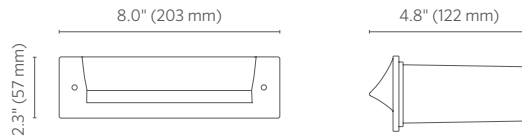
KEY FEATURES

- Versatile solution for wayfinding and egress with low mounting height and wide spacing requirements
- IP66
- Unique floor-graze optic reduces mounting height to 2" (50 mm) without compromising uniformity standards
- Short and long glare shield options
- Low-profile design accommodates modern stair risers with minimal exposure outside of wall


Standard Shield



Long Shield

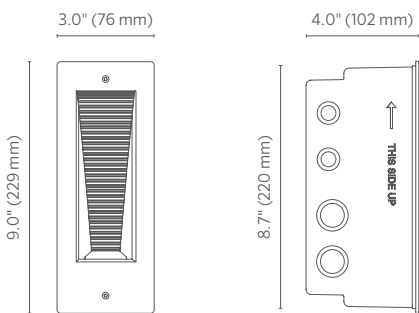


REED RD2 STEP LIGHT

	LS1252
LUMENS (4,000 K):	215 lm
POWER CONSUMPTION:	< 9 W
CONTROLS:	DALI, 0-10 V
LED COLOR OPTIONS:	
BEAM ANGLES:	Floor Graze, Performance Wash
INPUT VOLTAGE:	220 to 240 Vac, 50 Hz (International) 120/277 Vac, 60 Hz (North America)
WEIGHT:	1.2 lb (0.5 kg)
AMBIENT TEMPERATURE:	0°F to 140°F (-18°C to 60°C)


KEY FEATURES

- A slim, vertical rectangular profile to effectively illuminate wide pathways, stairways, and cycleways
- IP66/67
- Three wall-mounted luminaires can provide an average illuminance over 4 fc (40 lux) in a 6.5' (2 m) wide stairway
- Forward throw distribution with a medium narrow beam.



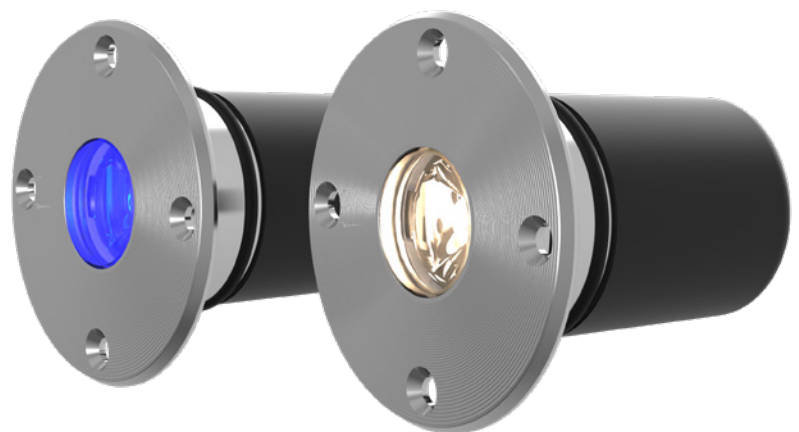
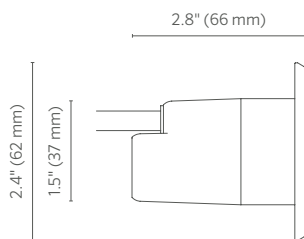
WALL-MOUNT

VEDITA VE6 RECESSED WALL-MOUNT

	LS9406LED
LUMENS (4,000 K):	184 lm
POWER CONSUMPTION:	< 3 W
CONTROLS:	PWM, Non-Dimmable
LED COLOR OPTIONS:	
BEAM ANGLES:	14°, 20°, 30°, 10° x 40°, Flood
INPUT VOLTAGE:	24 Vdc (International) 12 to 15 Vac, 12 to 24 Vdc (North America)
WEIGHT:	1.5 lb (0.7 kg)
AMBIENT TEMPERATURE:	-4°F to 122°F (-20°C to 50°C)

KEY FEATURES

- IP68 to 6' (2 m)
- OptiClear™ glass front lens
- MicroAntiLeach™ moisture blocking cable system
- High-grade UV-resistant underwater rated cable




WALL-MOUNT



Underwater lighting that *performs swimmingly*

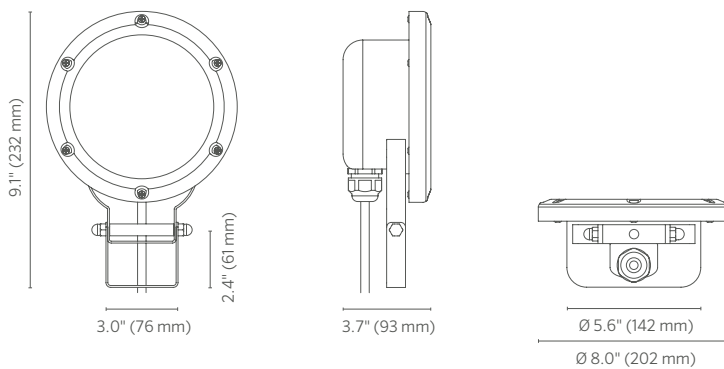
Bring water elements to life at night with high-performance underwater luminaires from Lumascope. Ultra-efficient LEDs combine with cutting-edge lighting technologies to give you maximum design flexibility — from high-output illumination to advanced dimming capabilities to high-resolution color-changing options — so every project shines.

TRISTAR TR1 UNDERWATER / FOUNTAIN

	LS265LED
LUMENS (4,000 K):	2,160 lm
LUMENS (RGB):	1,387 lm
POWER CONSUMPTION:	< 32 W
CONTROLS:	PWM, Non-Dimmable
LED COLOR OPTIONS:	
BEAM ANGLES:	20°, 25°, 40° x 20°, 20° x 40°
INPUT VOLTAGE:	24 Vdc (International) 12 to 15 Vac, 12 to 24 Vdc (North America)
WEIGHT:	7.1 lb (3.2 kg)
AMBIENT TEMPERATURE:	-22°F to 104°F (-30°C to 40°C)

KEY FEATURES


- Designed for high-performance, underwater applications
- IP68 to 33' (10 m)
- OptiClear™ glass front lens
- MicroAntiLeach™ moisture blocking cable system
- High-grade, UV-resistant underwater rated cable



UNDERWATER



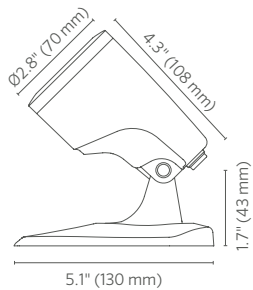
STAR ST1 UNDERWATER / FOUNTAIN

	LS375LED
LUMENS (4,000 K):	838 lm
LUMENS (RGB):	460 lm
POWER CONSUMPTION:	< 11 W
CONTROLS:	PWM, Non-Dimmable
LED COLOR OPTIONS:	
BEAM ANGLES:	20°, 25°, 40°
INPUT VOLTAGE:	24 Vdc (International) 12 to 15 Vac, 12 to 24 Vdc (North America)
WEIGHT:	2.2 lb (1.0 kg)
WATER TEMPERATURE:	41°F to 104°F (5°C to 40°C)

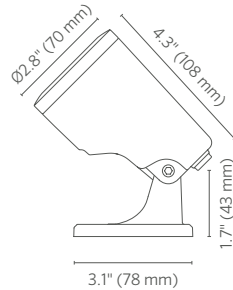
KEY FEATURES

- Compact, surface-mounted fountain light
- IP68 to 6' (2 m)
- DZR brass construction
- OptiClear™ glass front lens
- MicroAntiLeach™ moisture blocking cable system
- High-grade, UV-resistant underwater rated cable
- Flexible aiming and adjustment
- Flexible installation, ships with balanced and compact bolt-down mounting bases

Long Mounting Foot
(Balanced)







Small Round Mounting Foot
(Bolt-Down)



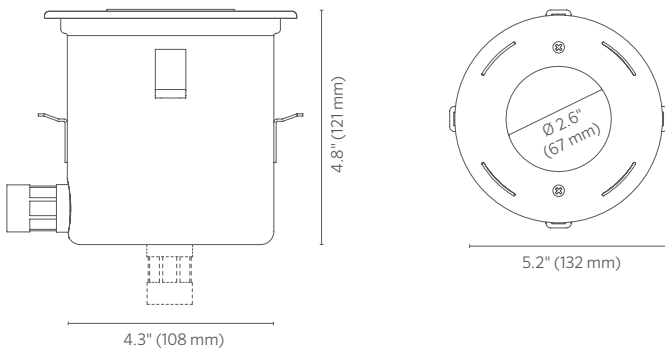
NERO NE1 UNDERWATER / SWIMMING POOL

LS333ANS-2LED

LUMENS (4,000 K):	605 lm
LUMENS (RGB):	< 230 lm
POWER CONSUMPTION:	< 8 W
CONTROLS:	PWM, Non-Dimmable
LED COLOR OPTIONS:	   
BEAM ANGLES:	14°, 20°, 25°, 40°
INPUT VOLTAGE:	24 Vdc (International) 12 to 15 Vac, 12 to 24 Vdc (North America)
WEIGHT:	3.5 lb (1.6 kg)
AMBIENT TEMPERATURE:	41°F to 104°F (5°C to 40°C)

KEY FEATURES

- Suitable for use in swimming pools, spas and fountains
- IP68 to 33' (10 m)
- OptiClear™ glass front lens
- MicroAntiLeach™ moisture blocking cable system
- High-grade, UV-resistant underwater rated cable
- Adjustable niche, allows levelling after installation
- Turtle-Friendly (Florida Fish and Wildlife Certified)




UNDERWATER



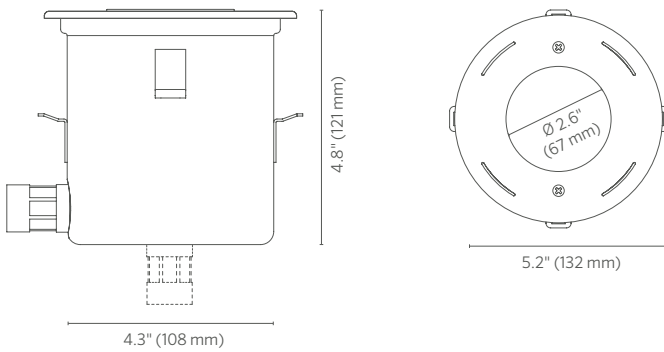
NERO NE2 UNDERWATER / SWIMMING POOL

LS333ANS-2COB

LUMENS (4,000 K):	1,080 lm
POWER CONSUMPTION:	< 15 W
CONTROLS:	PWM, Non-Dimmable
LED COLOR OPTIONS:	
BEAM ANGLES:	40°, 60°, 65° x 45°, 75° x 75°
INPUT VOLTAGE:	30 Vdc
WEIGHT:	3.5 lb (1.6 kg)
AMBIENT TEMPERATURE:	-40°F to 86°F (-40°C to 30°C)


KEY FEATURES

- Suitable for use in swimming pools, spas and fountains
- IP68 to 33' (10 m)
- OptiClear™ glass front lens
- MicroAntiLeach™ moisture blocking cable system
- High-grade, UV-resistant underwater rated cable
- Available with either 0° or 15° downward tilt
- Adjustable niche, allows levelling after installation
- Next-generation "Chip on Board" technology



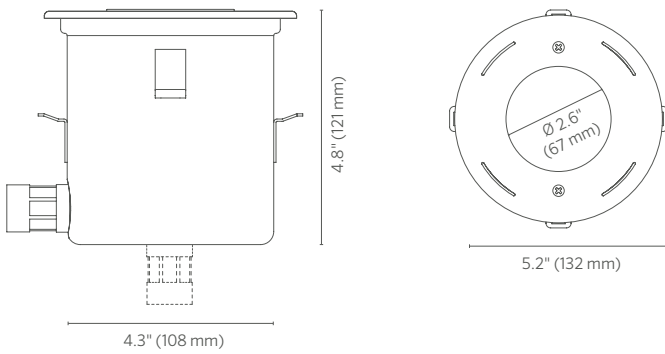
NERO NE3 UNDERWATER / SWIMMING POOL

LS333ANS-2

LUMENS (4,000 K):	Based on lamp selection
POWER CONSUMPTION:	75 W Maximum
CONTROLS:	PWM, Non-Dimmable
LED COLOR OPTIONS:	
BEAM ANGLES:	Based on lamp selection
INPUT VOLTAGE:	12 Vdc
WEIGHT:	3.5 lb (1.6 kg)
AMBIENT TEMPERATURE:	41°F to 104°F (5°C to 40°C)

KEY FEATURES

- Suitable for use in swimming pools, spas and fountains
- Supports ongoing need for traditional light sources
- IP68 to 33' (10 m)
- OptiClear™ glass front lens
- MicroAntiLeach™ moisture blocking cable system
- High-grade, UV-resistant underwater rated cable




UNDERWATER

Not available in North America



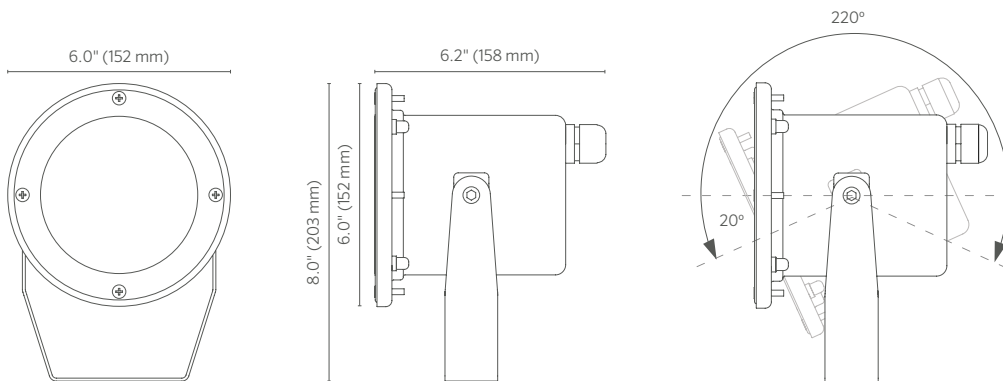
WODA W3 UNDERWATER PROJECTOR

LS5030


LUMENS (4,000 K):	Up to 3,600 lm
LUMENS (RGBW):	Up to 2,100 lm
POWER CONSUMPTION:	< 25 W, < 47 W
CONTROLS:	PowerSync, Non-Dimmable
LED COLOR OPTIONS:	
BEAM ANGLES:	13°, 33°, 47°, 20° x 66°, 66° x 20°
INPUT VOLTAGE:	30 Vdc
WEIGHT:	7.7 lb (3.5 kg)
WATER TEMPERATURE:	-4°F to 95°F (-20°C to 35°C)

KEY FEATURES

- Suitable for use in underwater applications including fountains, water features, and marine environments
- IP68 to 33' (10 m)
- OptiClear™ toughened glass front lens
- MicroAntiLeach™ moisture blocking cable system
- High-grade, UV-resistant underwater rated cable
- 100% factory sealed
- 220° adjustability
- Easy installation with 1 or 2 hole fixing mount yoke
- Factory fitted glare and beam accessories

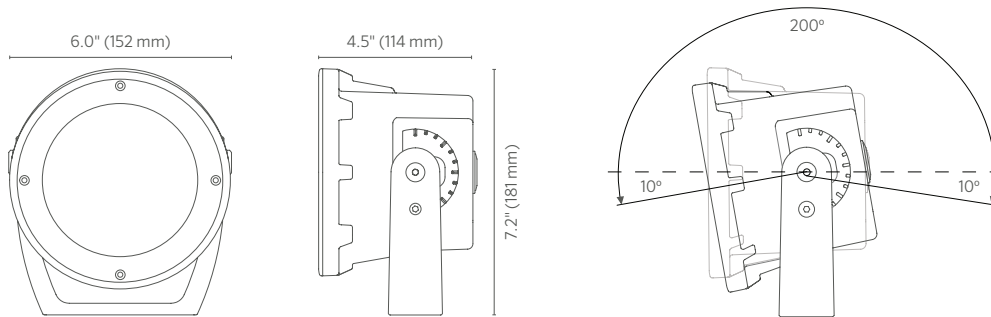


WODA BRASS WB3 UNDERWATER PROJECTOR

	LS5030
LUMENS (4,000 K):	Up to 2,600 lm
LUMENS (RGBW):	Up to 1,530 lm
POWER CONSUMPTION:	< 15 W, < 29 W
CONTROLS:	PowerSync, Non-Dimmable
LED COLOR OPTIONS:	
BEAM ANGLES:	10°, 13°, 20°, 33°, 47°, 20° x 66°, 66° x 20°
INPUT VOLTAGE:	30 Vdc
WEIGHT:	10.4 lb (4.7 kg)
WATER TEMPERATURE:	-4°F to 95°F (-20°C to 35°C)

KEY FEATURES


- Suitable for use in underwater applications including fountains, water features, and marine environments
- IP68 to 33' (10 m)
- OptiClear™ toughened glass front lens
- MicroAntiLeach™ moisture blocking cable system
- High-grade, UV-resistant underwater rated cable
- 100% factory sealed
- 200° adjustability with 15° adjustment markings for easier aiming
- Easy installation with 1 or 2 hole fixing mount yoke
- Factory fitted glare and beam accessories



UNDERWATER

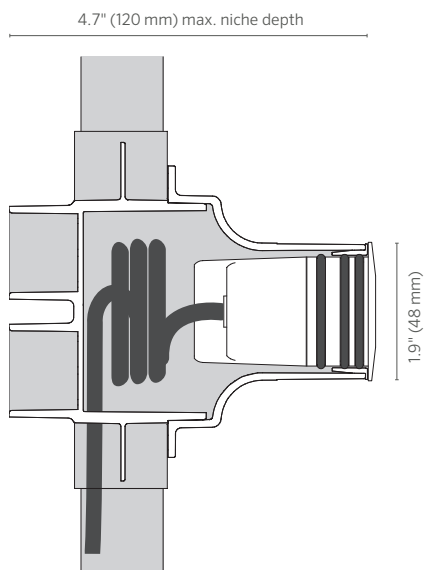


VEDITA VE5 UNDERWATER / SWIMMING POOL

	LS9405LED
LUMENS (4,000 K):	184 lm
POWER CONSUMPTION:	< 3 W
CONTROLS:	PWM, Non-Dimmable
LED COLOR OPTIONS:	
BEAM ANGLES:	14°, 20°, 30°, 10° x 40°, Flood
INPUT VOLTAGE:	24 Vdc (International) 12 to 15 Vac, 12 to 24 Vdc (North America)
WEIGHT:	2.2 lb (1.0 kg)
AMBIENT TEMPERATURE:	41°F to 104°F (5°C to 40°C)

KEY FEATURES

- Suitable for use in swimming pools, spas and fountains
- IP68 to 6' (2 m)
- OptiClear™ glass front lens
- MicroAntiLeach™ moisture blocking cable system
- High-grade, UV-resistant underwater rated cable
- Preinstallation niche, for easy installation




Compelling in any light

The robust Rise RS8 bollard packs more than just a powerful design statement. As the only commercial luminaire of its class to offer variable throw optics, spacing of 20' (6 m) or more, and up/down orientations, this luminaire ensures a clean and confident installation in any lighting plan.

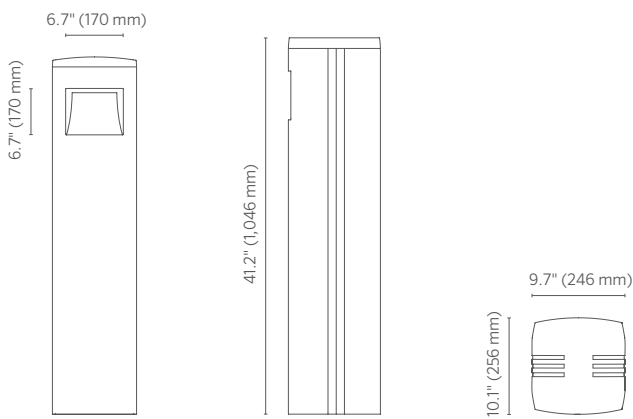
RISE RS8 BOLLARD

LS2388

LUMENS:	Up to 2,977 lm
POWER CONSUMPTION:	< 49 W
CONTROLS:	0 to 10 V (10%)
LED COLOR OPTIONS:	
INPUT VOLTAGE:	220 to 240 Vac/dc, 50 Hz (International) 120 Vac/dc, 60 Hz (North America) 110 to 277 Vac/dc, 60 Hz (North America)
WEIGHT:	50.0 lb (22.7 kg)
AMBIENT TEMPERATURE:	-13°F to 140°F (-25°C to 60°C)

KEY FEATURES

- Commercial bollard
- Variable throw distances and orientations available
- IP65
- 41" (1 m) height
- No visible hardware
- Twist-and-lock mounting design for added stability and strength



TECHNOLOGIES



powersync™

High-speed digital communication technology that uses a single cable to allow addressing and granular control of every luminaire.



uvshield™

An additional UV-protective coating applied to UV-stabilized polymer lenses that prevents discoloration and degradation.



easyglow™

Visual comfort technology that reduces the contrast ratio between the lit and unlit surfaces of the luminaire.



pureblend™

Provides perfectly blended direct-view colors with no separation, delivering exceptionally clean and uniform illumination.



cooldrive™

Temperature control technology that actively manages light engine and driver temperatures within safe limits, no matter the conditions.



opticlear™

Precision-engineered glass offering exceptional optical clarity, load strength, and impact protection.



gripglass™

Textured, slip-resistance pattern applied to in-ground luminaire glass surfaces that increases pedestrian safety.



microantileach™

Proprietary sealing process that eliminates moisture ingress through the cable, ensuring high performance and long field life.



electropolish+™

Three-stage finishing process that ensures stainless steel luminaire finishes remain flawless over time.

UNDERSTANDING COLOR OPTIONS



Architectural lighting can transform spaces and deliver unforgettable experiences, from visually stunning performance art installations or heritage considerate lighting themes. That's why we offer a wide range of color palettes, empowering designers to create unique and dynamic lighting schemes. With our extensive technical understanding of color and our strong partnership with leading LED manufacturers, we can provide precise and flexible solutions for any environment. Our color palettes are at the core of our commitment to delivering creative and innovative lighting solutions.

We offer unparalleled flexibility and versatility to designers with options including:

- RGBW (red, green, blue, white) with a royal blue and 4,000K white
- RGBA (red, green, blue, amber) with a mid blue and a PC amber
- Tunable white with a variable CCT range from 2,700K to 6,500K
- Static white with multiple CCT options from 2,700K to 5,700K to create dynamic and engaging lighting displays.

At Lumascape, all of our LED light engines are designed and developed by our team of experienced engineers. Each individual color is carefully selected to ensure the perfect palette in each and every product variation. This allows us to provide the highest quality and most customizable lighting solution for any project.

Designers can unlock the full potential of lighting to create unforgettable atmospheres and transform spaces like never before.



RGBW with Royal Blue

Creates a stunning saturated color palette. The inclusion of Royal Blue gives the ability to create deep rich pinks and purples that are difficult to create with a standard RGB light engine. The inclusion of a 4,000 K white LED, creates high-quality whites with mid-to-high CRI values, that cannot be achieved with a traditional RGB light engine. The 4,000 K can also serve as a tool to dilute the saturation of colors where required. The RGBW with Royal Blue is perfect for dynamic displays with high visual impact.



Tunable White (Variable 2,700 K to 6,500 K)

Lumascape's tunable white color palette allows designers to create lighting schemes where color temperatures can change. This provides the ability to create different moods and atmospheres, and is a useful feature in dynamic environments where lighting needs to change throughout the day, such as art galleries, museums, or retail spaces.



RGBA with Mid Blue and PC Amber

With its Mid Blue, the RGBA color palette surpasses all other light engines for the creation of a full spectrum of softer pastel lighting effects. Beautiful cyan and turquoise colors are a real highlight. The addition of PC amber has several benefits, including its ability to produce incredible burnt oranges and golds, and the ability to create high CRI whites of any CCT. RGBA with Mid Blue and PC Amber is perfect for creating warm and inviting lighting environments, which bring depth to heritage facades, cosier, and more inviting lighting schemes.

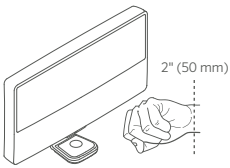


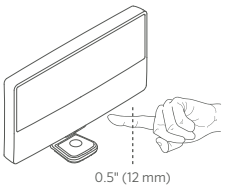
Static White (2,700 K to 5,000 K)

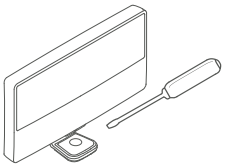
Offers lighting designers the flexibility to choose from multiple color temperatures ranging from 2,700 K to 5,700 K. This range makes it easier to find the perfect color temperature to illuminate architectural features or other static installations. The different color temperatures can be used to enhance the texture, depth, and character of these spaces, creating a unique and immersive experience.

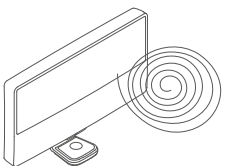
INGRESS PROTECTION (IP) RATINGS

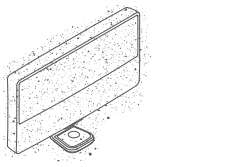
The IP system is an internationally recognized method to indicate the degree of protection against the ingress of dust, solid objects, and moisture into an enclosure. The letters “IP” are followed by two numerals.

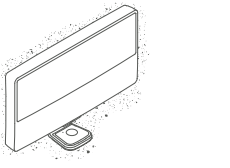
1  2" (50 mm)
Protected against a solid object greater than 2" (50 mm), such as a hand.

2  0.5" (12 mm)
Protected against a solid object greater than 0.5" (12 mm), such as a finger.

3 
Protected against a solid object greater than 0.1" (2.5mm), such as a screwdriver.

4 
Protected against a solid object greater than 0.04" (1 mm), such as a wire.

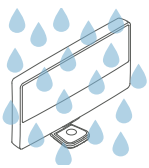
5 
Dust protected. Limited ingress of dust permitted. Will not interfere with operation of the equipment. Two to eight hours.

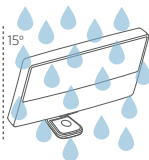
6 
Dust tight. No ingress of dust. Two to eight hours.

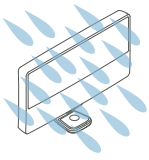
Rating Example:

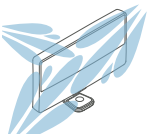


INGRESS PROTECTION

1 
Protected against vertically falling drops of water. Limited ingress permitted.

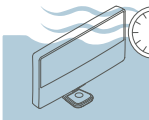
2  15°
Protected against vertically falling drops of water with enclosure tilted up to 15° from the vertical. Limited ingress permitted.

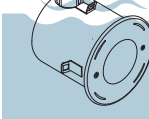
3 
Protected against sprays of water up to 60° from the vertical. Limited ingress permitted for three minutes.

4 
Protected against water splashed from all directions. Limited ingress permitted.

5 
Water from heavy seas or water projected in powerful jets shall not enter the enclosure in harmful quantities.

6 
Protected against jets of water. Limited ingress permitted.

7 
Protection against the effects of immersion in water between 5.9" (15 cm) and 39.4" (1 m) for 30 minutes.

8 
Protection against the effects of immersion in water under pressure for long periods.

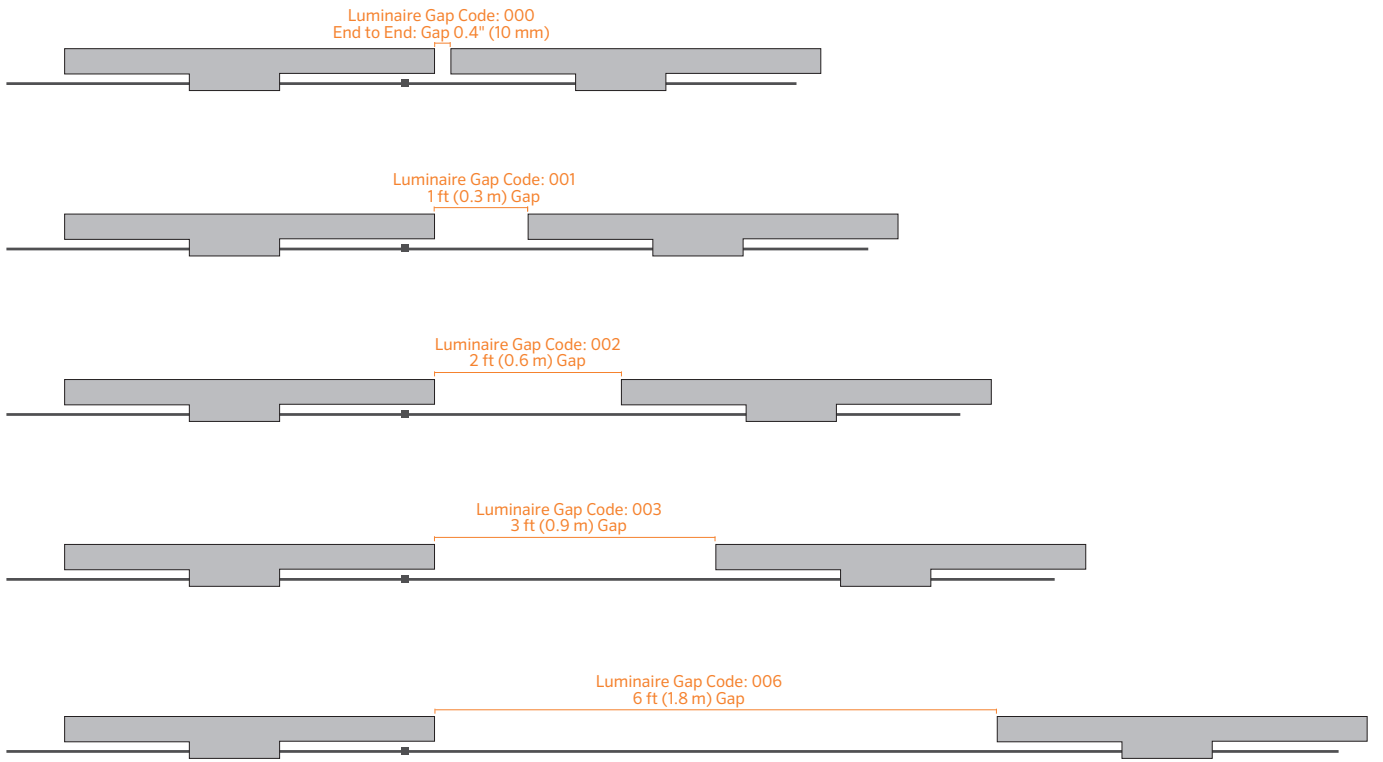
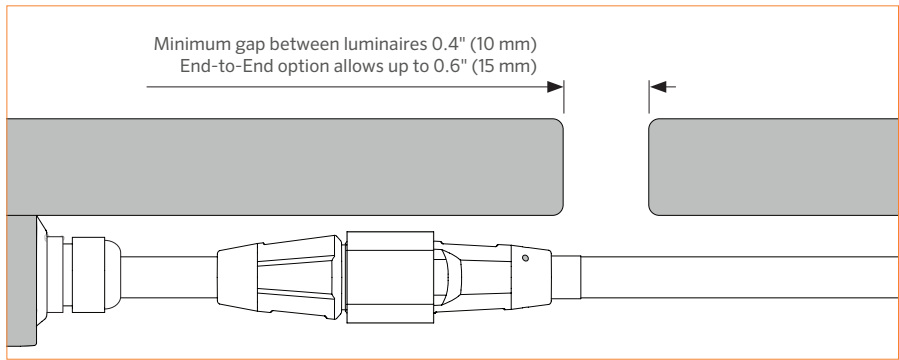
IMPACT PROTECTION (IK) RATING

Degree of protection provided by enclosures for electrical equipment against external impacts in accordance with IEC 62262:2016.

IK Code	Degree of Protection
IK00	Not protected.
IK1	Protected against 0.14 joules impact. Equivalent to impact of 0.55 lb (0.25 kg) mass dropped from 2.2" (56 mm) above impacted surface.
IK2	Protected against 0.2 joules impact. Equivalent to impact of 0.55 lb (0.25 kg) mass dropped from 3.2" (80 mm) above impacted surface.
IK3	Protected against 0.35 joules impact. Equivalent to impact of 0.55 lb (0.25 kg) mass dropped from 5.5" (140 mm) above impacted surface.
IK4	Protected against 0.5 joules impact. Equivalent to impact of 0.55 lb (0.25 kg) mass dropped from 7.9" (200 mm) above impacted surface.
IK5	Protected against 0.7 joules impact. Equivalent to impact of 0.55 lb (0.25 kg) mass dropped from 11.0" (280 mm) above impacted surface.
IK6	Protected against 1 joules impact. Equivalent to impact of 0.55 lb (0.25 kg) mass dropped from 15.8" (400 mm) above impacted surface.
IK7	Protected against 2 joules impact. Equivalent to impact of 1.1 lb (0.5 kg) mass dropped from 15.8" (400 mm) above impacted surface.
IK8	Protected against 5 joules impact. Equivalent to impact of 3.75 lb (1.7 kg) mass dropped from 11.8" (300 mm) above impacted surface.
IK9	Protected against 10 joules impact. Equivalent to impact of 11.0 lb (5 kg) mass dropped from 7.9" (200 mm) above impacted surface.
IK10	Protected against 20 joules impact. Equivalent to impact of 11.0 lb (5 kg) mass dropped from 15.8" (400 mm) above impacted surface.

LUMINAIRE GAP

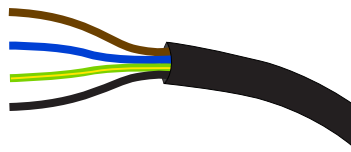
We define the gap being where the luminaire ends to where the start of the next luminaire. To be able to create the gap, cable length is added to the input connector side. Luminaires must be installed with a minimum gap of 0.4" (10 mm) to cope with thermal expansion.



LUMINAIRE WIRE COLORS & DESIGNATIONS

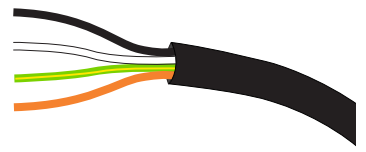
Line Voltage 220 to 240 Vac PowerSync™ – International

Designation	Color
Line	Brown
Neutral	Blue
Ground/Earth	Green / Yellow
Data	Black



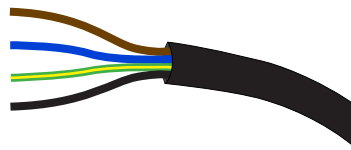
Line Voltage 120/277 Vac PowerSync™ – North America

Designation	Color
Line	Black
Neutral	White
Ground/Earth	Green / Yellow
Data	Orange or Red



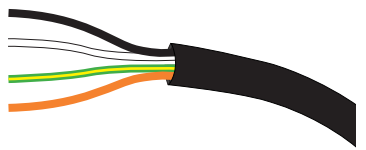
Line Voltage 220 to 240 Vac, Non-Dimmable – International

Designation	Color
Line	Brown
Neutral	Blue
Ground/Earth	Green / Yellow
Not used	Black



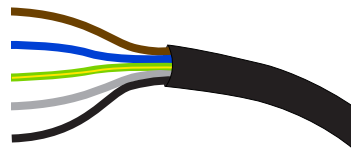
Line Voltage 120/277 Vac, Non-Dimmable – North America

Designation	Color
Line	Black
Neutral	White
Ground/Earth	Green / Yellow
Not used	Orange or Red



Line Voltage 220 to 240 Vac, DALI – International

Designation	Color
Line	Brown
Neutral	Blue
Ground/Earth	Green / Yellow
DALI A	Gray
DALI B	Black



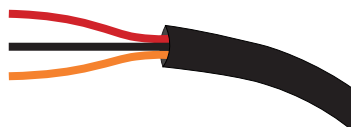
Line Voltage 120/277 Vac, 0-10 V – North America

Designation	Color
Line	Black
Neutral	White
Ground/Earth	Green / Yellow
0-10 V +	Purple
0-10 V -	Pink or Gray



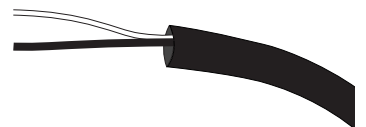
Low Voltage 30 to 48 Vdc PowerSync

Designation	Color
+ DC	Red
- DC	Black
Data	Orange



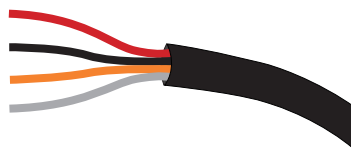
Low Voltage 24 Vdc/12 Vac Single Color Non-Dimmable

Designation	Color
Positive	White or Red
Negative	Black



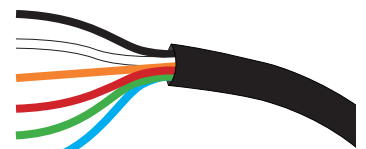
Low Voltage 24 Vdc/12 Vac Single Color Dimmable

Designation	Color
Positive, AC1	Red
Negative, AC2	Black
PWM +	Orange
PWM -	Gray



Low Voltage 24 Vdc/12 Vac RGB

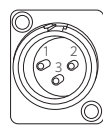
Designation	Color
Positive, AC1	Black
Negative, AC2	White
PWM +	Orange
PWM Red	Red
PWM Green	Green
PWM Blue	Blue



DMX Pin Designations

Signal	Connector Type		
	3 Pin XLR	5 Pin XLR	RJ45 Std
Data +	3	3	1
Data -	2	2	2
Ground	1	1	7

3-Pin XLR

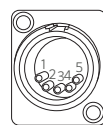


Input



Output

5-Pin XLR



Input

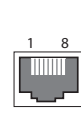


Output

RJ45



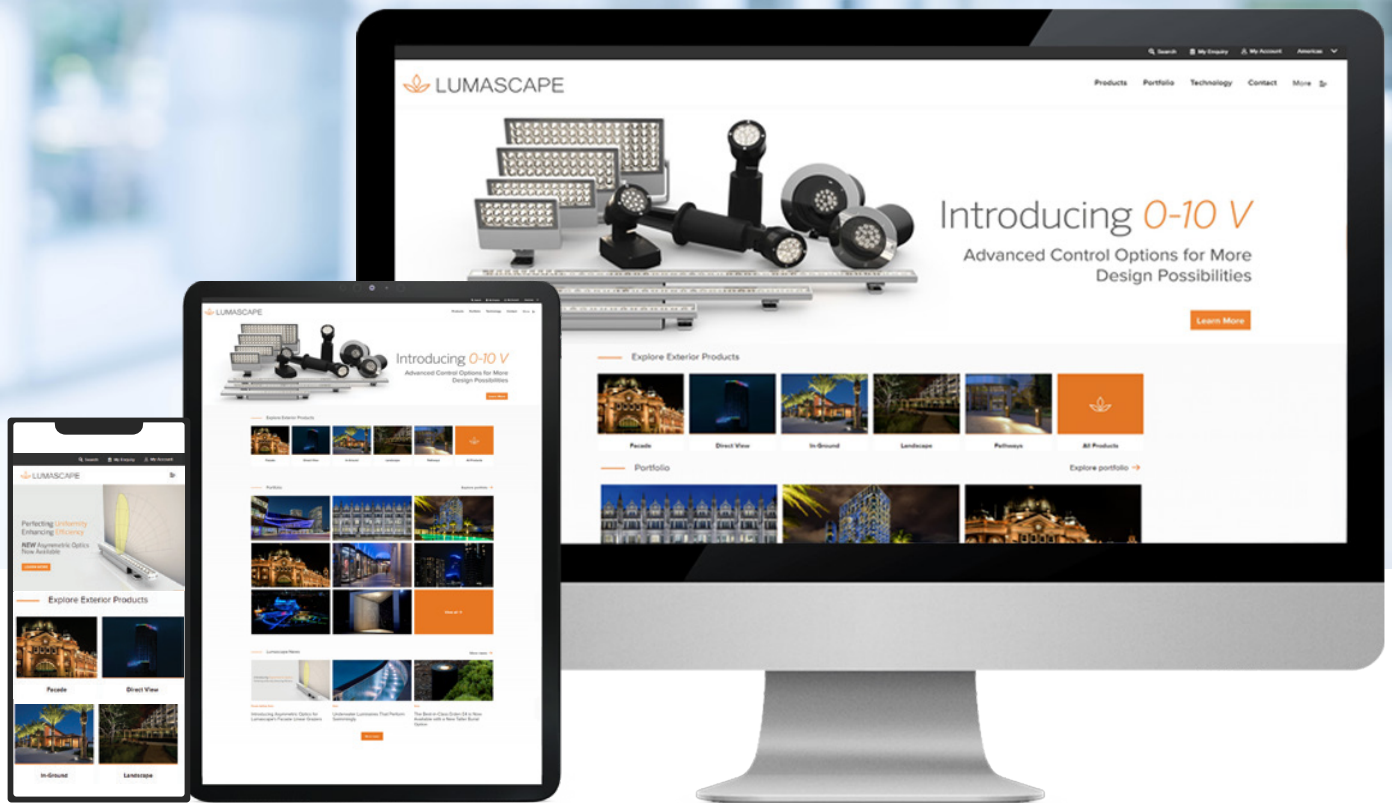
Plug



Socket



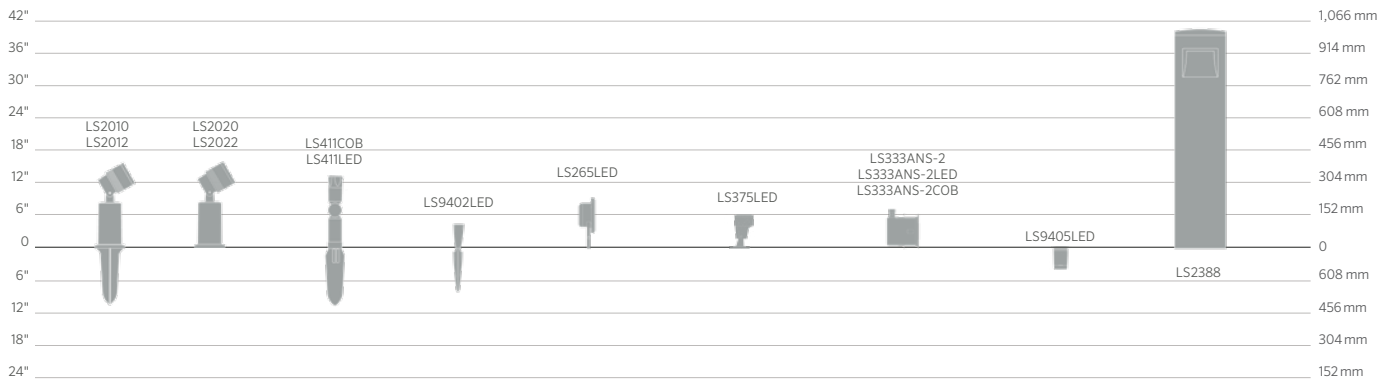
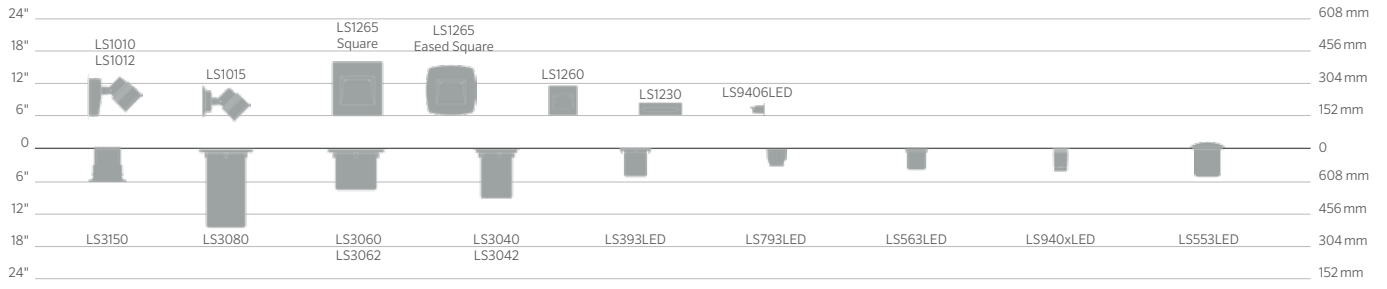
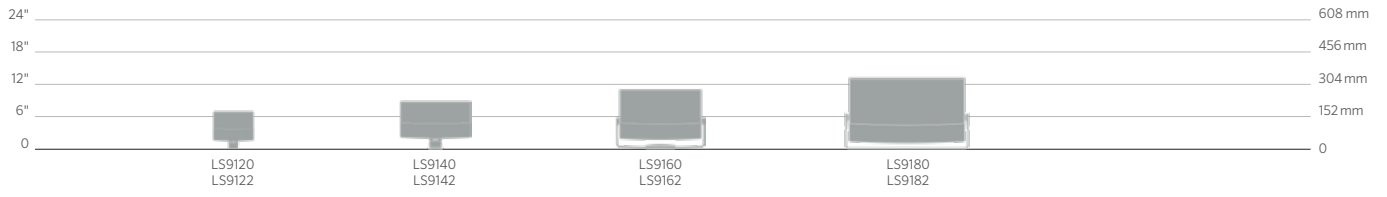
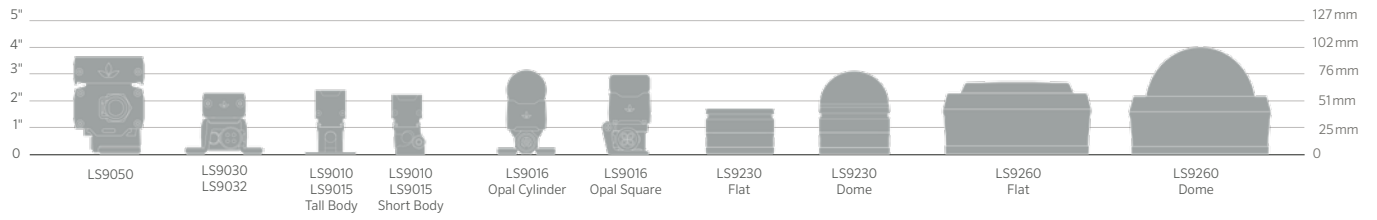
Pin 1



Lighting Inspiration All *In One Place*

Need help choosing the ideal lighting solution for your project? The Lumascape website is packed with valuable resources to help guide you, including an interactive configurator, easy-to-use product filtering, an eye-catching project portfolio, and more. Check it out today!

SIZING CHART



GLOBAL DISTRIBUTION NETWORK



AUSTRALIA/ASIA PACIFIC

77 Brandl Street
Eight Mile Plains, Queensland 4113
Australia
P: +61-7-3854-5000
F: +61-7-3854-5001
E: sales@lumascapeme.com



EUROPE

E: salesEU@lumascapeme.com

UNITED KINGDOM

E: salesUK@lumascapeme.com

MIDDLE EAST

Dubai World Centre
Building Block C, Office #432
Dubai, United Arab Emirates
P: +971-4-887-9951
F: +971-4-887-9601
E: sales@lumascapeme.ae



NORTH AMERICA

1940 Diamond Street
San Marcos, California 92078
United States of America
P: +1-650-595-5862
E: info@lumascapeme.com