

**A START HERE** **IMPORTANT INSTRUCTIONS**

For Installation: LS294A Firefly

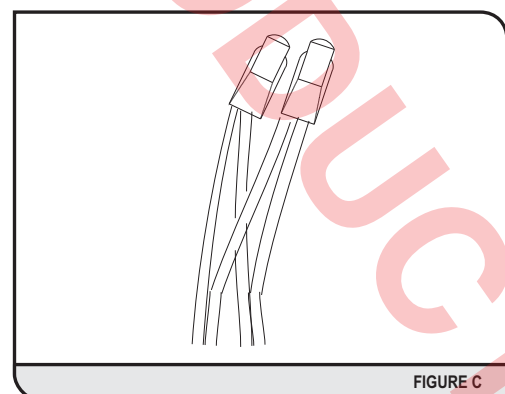
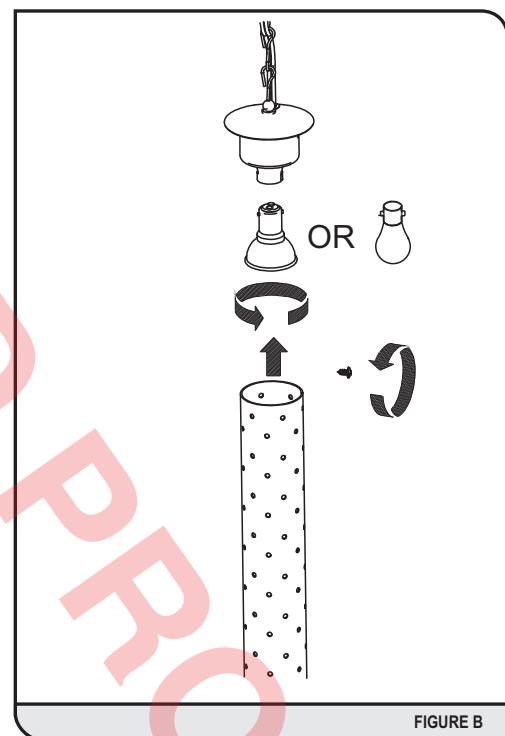
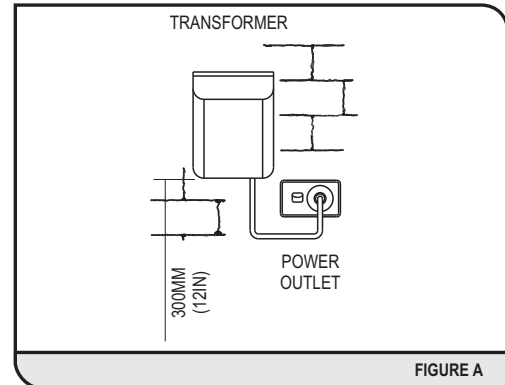
**Warning:** The Luminaire should only be used complete with its protective shield (cover)

Lumascap Lighting Industries Pty Ltd  
38-44 Enterprise Street, Cleveland, QLD 4163, Australia  
PO Box 1875, Cleveland D.C., QLD 4163, Australia  
T 07 3286 2299  
F 07 3286 6599  
E sales@lumascap.com.au  
W www.lumascap.com.au

**1 INSTALLATION**

1. Select a suitable 12 volt isolating type transformer and locate centrally in relation to fixtures (refer Figure A & Example 2, below).
2. Mark actual locations of fixtures to be installed. Calculate voltage drop on each run of cable (refer voltage drop section).
3. Lay cable from transformer to each fixture (refer voltage drop section).
4. Select means by which to mount the supplied rear chain of fitting to the ceiling.
5. Make sure supply cable is inserted through a hole in the mounting surface. Split supply cable and fitting cable, strip ends so that the core is exposed approximately 20mm (3/4 inch) (refer Figure B).
6. Do not trim end of light fixture wires. The full length of these wires is required for easy fixture removal.
7. Note the cable is indexed (i.e. one side is marked the other is not). Gather together indexed leg/s and one of the fixture wires. Very lightly twist the strands together. Then fit the yellow scotch lock connector applying pressure as you twist it on. Keep twisting until very tight. Repeat for remaining wires (refer Figure C).
8. Cover connections (and Backing Plate if UL product) with rear canopy and fasten the supplied screws. It is advised to place silicon caulking around the canopy when mounting.
9. Repeat steps 4 to 7 for each light fixture.
10. Connect light cables to transformer making sure indexed legs are grouped with indexed and non-indexed with non-indexed legs.
11. Plug transformer into power point, switch on and check each fixture is operating.
12. At night adjust and aim your fixtures to achieve the desired effect.

Should you experience any difficulty please contact your supplier.



**WARNING - UL Product Only**

Overcurrent protection for the secondary circuit must be provided at the supply transformer in accordance with the National Electric Code.