



The LS411LED is a compact, adjustable luminaire with an aesthetically pleasing form, featuring integral line voltage driver and a wide range of adjustability making it ideal for general landscape lighting applications. The LS411LED is also supplied factory sealed, complete with 1 m of cable. The epoxy coated, marine grade aluminum construction ensures a long service life, even in harsh environments.

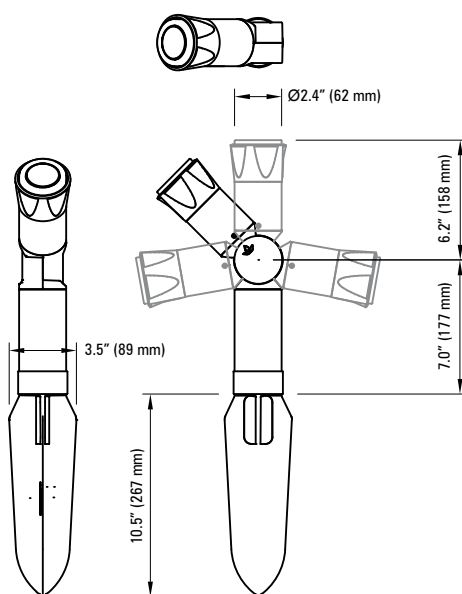
Specifications

Source	9 W or 15 W LED <input type="checkbox"/> White (4 000 K typical) <input type="checkbox"/> Warm white (3 000 K typical) <input type="checkbox"/> Blue (470 nm) <i>Other colors by request</i> <input type="checkbox"/> RGB (12 W LED only)
Control Options	PWM <i>(0-10 V → PWM and DMX → PWM conversion available)</i>
IP Rating	IP67
Construction	LM20 die-cast marine grade powder coated aluminum
Installation Type	Concrete anchor
Standard Inclusions	Silicone handgrip to allow hot adjustment MicroAntiLeach™ cable entry and 1 m cable
Ambient Operating Temperature	-4 °F to 122 °F (-20 °C to +50 °C)
Surface Temperature	≤149 °F (≤65 °C) HumanTouch™ compliant
Photometrics	Refer to www.lumascap.com

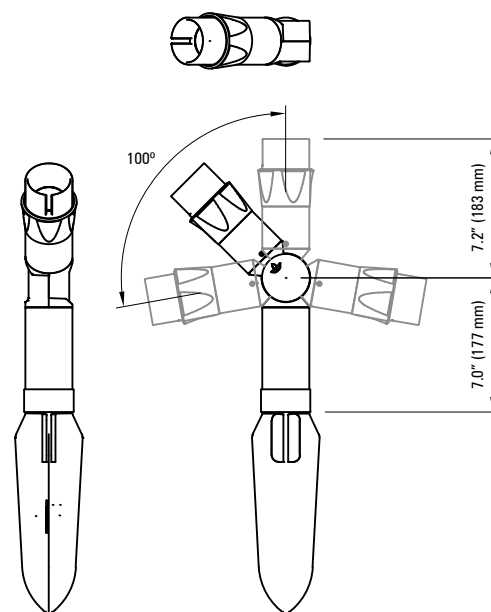
Any luminaire can become hot - take care with appropriate use and placement



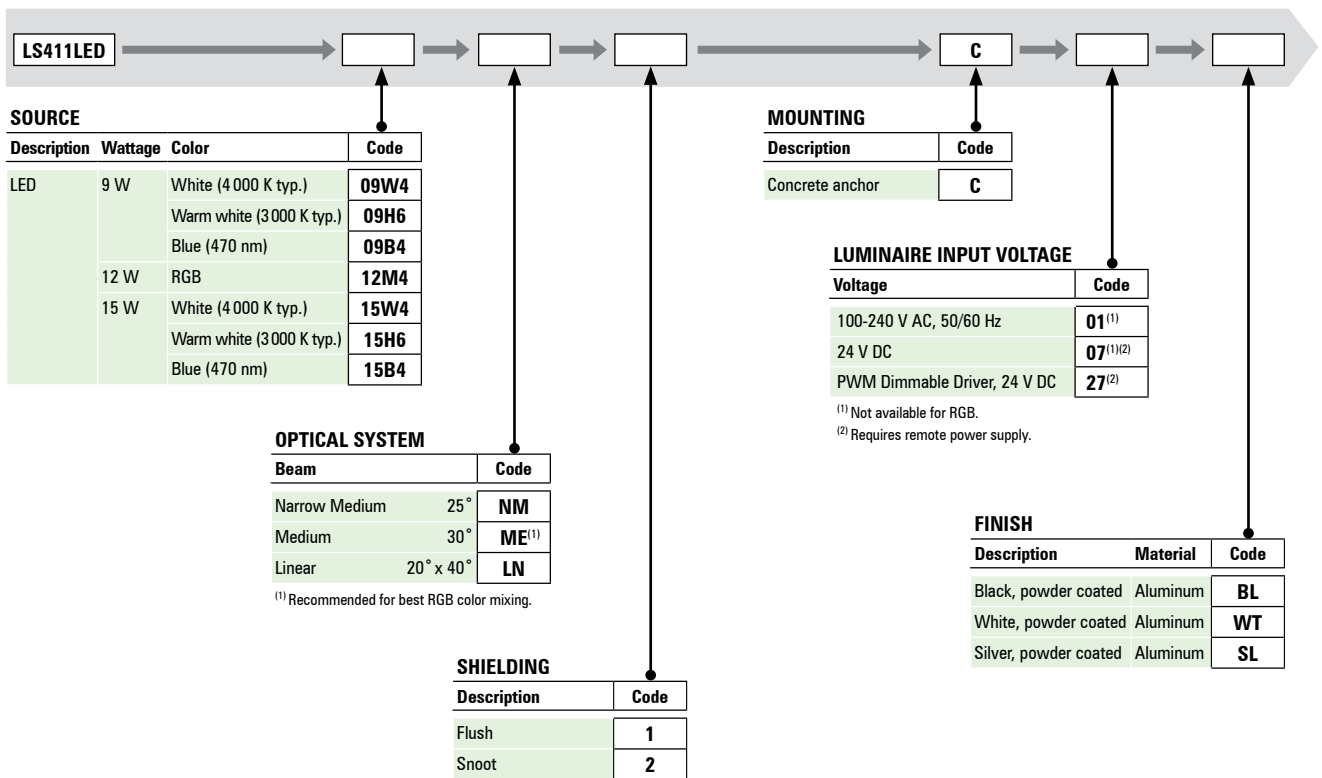
LS411LED Omnio Mini



LS411LED Omnio Mini
Flush Configuration



LS411LED Omnio Mini
Snoot Configuration



Photometrics

Photometric data is based on test results from a NIST traceable testing lab. IES data is available at www.lumascap.com.

Note: No depreciation factor is applied to the data shown.

Polar Candela Distribution

Illuminance at a Distance

LS411LED
4 000 K
25° Beam Angle

Power Input	14.2 W
Lumens	968 lm
Efficacy	69 lm/W

	C 0°	C 10°	C 20°	C 30°	C 40°	C 50°	C 60°	C 70°	C 80°	C 90°
0°	5659	5659	5659	5659	5659	5659	5659	5659	5659	5659
10°	3548	3495	3438	3381	3324	3257	3183	3126	3064	3038
20°	530	545	534	496	461	423	393	387	389	394
30°	88	84	77	73	73	76	75	75	71	68
40°	28	28	28	28	32	35	38	34	27	25
50°	7	6	5	5	5	5	5	5	4	4
60°	0	0	0	0	0	0	0	0	0	0
70°	0	0	0	0	0	0	0	0	0	0
80°	0	0	0	0	0	0	0	0	0	0
90°	0	0	0	0	0	0	0	0	0	0

m	Center Beam lx	Beam Ø
2	1415	0.4 m
5	226	1.0 m
10	57	1.9 m
12	39	2.3 m
15	25	2.9 m

LS411LED
4 000 K
30° Beam Angle

Power Input	14.2 W
Lumens	894 lm
Efficacy	63 lm/W

	C 0°	C 10°	C 20°	C 30°	C 40°	C 50°	C 60°	C 70°	C 80°	C 90°
0°	3540	3540	3540	3540	3540	3540	3540	3540	3540	3540
10°	2338	2342	2348	2358	2371	2395	2404	2390	2392	2403
20°	744	756	775	798	812	830	830	829	837	837
30°	150	149	151	154	157	158	156	152	155	164
40°	26	27	29	30	31	34	37	35	32	30
50°	7	7	6	7	7	8	8	8	8	8
60°	1	1	0	0	0	0	0	0	0	0
70°	0	0	0	0	0	0	0	0	0	0
80°	0	0	0	0	0	0	0	0	0	0
90°	0	0	0	0	0	0	0	0	0	0

m	Center Beam lx	Beam Ø
2	885	0.9 m
5	142	2.3 m
10	35	4.6 m
12	25	5.5 m
15	16	6.9 m

LS411LED
4 000 K
20° x 40°
Beam Angle

Power Input	14.2 W
Lumens	859 lm
Efficacy	61 lm/W

	C 0°	C 10°	C 20°	C 30°	C 40°	C 50°	C 60°	C 70°	C 80°	C 90°
0°	2921	2921	2921	2921	2921	2921	2921	2921	2921	2921
10°	2309	2280	2203	2106	2003	1892	1792	1722	1682	1670
20°	1167	1132	1036	897	757	637	542	480	442	430
30°	354	341	295	230	178	134	103	83	75	74
40°	80	78	69	52	37	27	21	20	21	20
50°	16	16	12	10	8	7	7	7	7	7
60°	0	0	0	0	0	0	0	1	1	1
70°	0	0	0	0	0	0	0	0	0	0
80°	0	0	0	0	0	0	0	0	0	0
90°	0	0	0	0	0	0	0	0	0	0

m	Center Beam lx	Beam W	Beam L
2	730	1.3 m	0.8 m
5	117	3.2 m	2.0 m
10	29	6.3 m	4.1 m
12	20	7.6 m	4.9 m
15	13	9.5 m	6.1 m

LUMASCAPE

Brisbane Technology Park, 18 Brandl Street, Eight Mile Plains, QLD 4113, Australia
 ☎ +61 7 3854 5000 | 📠 +61 7 3854 5001 | ✉ sales@lumascap.com.au | 🌐 www.lumascap.com.au

Products and specifications are subject to change without notice

LS411LED GM 170227