



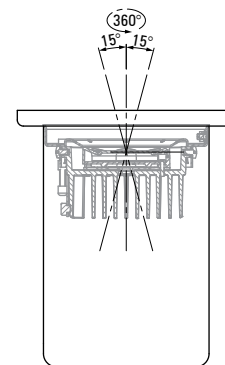
The LS363LED is a robust, medium wattage inground luminaire with high efficacy. As an inherently protected luminaire it can be used in interior spaces and immediately adjacent to combustible materials (such as wood decking, etc). In addition, internal rotation and tilt adjustability ensures the most efficient light delivery can be set according to the site conditions.



**LS363LED**  
with round flush cover and GripGlass™

**Specifications**

<b>Source</b>	16 or 20 W LED <input type="checkbox"/> White (4 000 K typical) <input type="checkbox"/> Warm white (3 000 K typical) <input type="checkbox"/> Blue (470 nm) <i>Other colors by request</i> <input type="checkbox"/> RGB (20 W LED only)
<b>Lumen Maintenance (L70)</b>	>60,000 hrs <i>Limited by TM-21 x6 rule</i>
<b>Control Options</b>	PWM <i>(0-10 V → PWM and DMX → PWM conversion available)</i>
<b>IP Rating</b>	IP68
<b>Construction</b>	316 marine grade stainless steel
<b>Installation Types</b>	<b>Pre-Installation Blockout</b> Concrete pour, drive-over & general use applications  <b>Pre-Installation Collar</b> Decks & grates  <b>Direct Burial</b> Landscapes, planters & special applications <i>(consult factory)</i>
<b>Drive-over</b>	With <b>OptiClear™</b> lens and pre-installation blockout (LS644-K)
<b>Static Load Rating</b>	3 968 lb (1 800 kg) with <b>OptiClear™</b> lens and pre-installation blockout. <i>(Load applied to center of glass across a 2" (50 mm) dia. area)</i>
<b>Impact Rating</b>	IK9 with <b>OptiClear™</b> lens
<b>Standard Inclusions</b>	Teflon coated cover screws <b>MicroAntiLeach™</b> cable entry
<b>Ambient Operating Temperature</b>	-4°F to 122°F (-20°C to 50°C)
<b>Glass Temperature</b>	≤149 °F (≤65 °C) <b>HumanTouch™</b> compliant
<b>Photometrics</b>	Refer to <a href="http://www.lumascape.com">www.lumascape.com</a>



*Any luminaire can become hot - take care with appropriate use and placement*

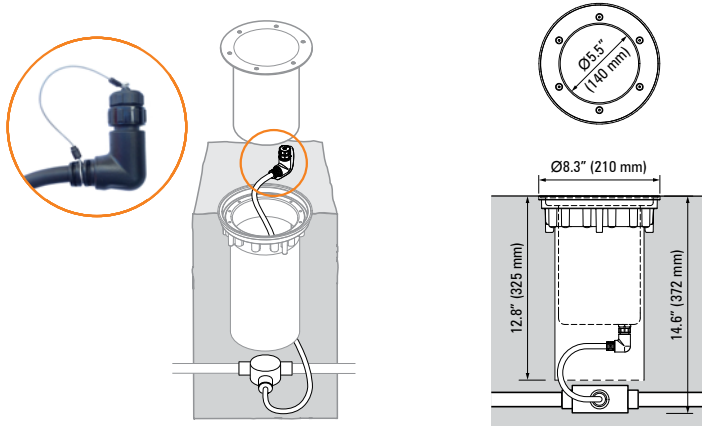
## Why Use LS644-K-87 Pre-Installation Blockout?

The LS644-K-87 acts as a blockout, and is intended for installation before the luminaire, however it has other special functions. To simplify the installation, every LS644-K-87 is supplied complete with a 3-way junction box, inside which the installer can make all necessary connections, and allows the completion of all wiring even before the luminaire arrives on site. This method also ensures the luminaire itself is not damaged during concreting or other site works. **Note: The junction box remains serviceable after installation.** To complete the installation, Lumascope provides an IP68 connector, enabling a tool-free final connection from the luminaire to the branch circuit. In addition, this connector is readily detachable, allowing for off-site maintenance.

## Why Use LS644-K-84 Pre-Installation Blockout?

The LS644-K-84 pre-installation kit (order separately) is ideal for use in applications where maximum flexibility for the type and location of branch circuit connections are required or where exact site conditions may be unknown. The LS644-K-84 is also for use with all applications requiring a color changing or dimmable lighting scheme. For use with the LS644-K-84 Lumascope provides the LS363LED complete with 3 m of factory-installed cable with **MicroAntiLeach™** seal. This provides the installer with greater flexibility to determine the type and location of the branch circuit connection. This option is also 100% hard-wired, and does not feature the IP68 detachable couplings for off-site maintenance. All aspects of the luminaire itself are still field serviceable.

### Connection Type '87' for LS644-K-87 Pre-Installation Blockout



#### IP68 Connector & Junction Box

The luminaire is fitted with an IP68 connector, which attaches directly to the cable supplied with LS644-K-87, without the use of any tools. The cable is 1 m in length, and is factory assembled with a 3-way junction box – **Remains field serviceable after installation.**

*Not suitable for color changing or dimmable applications.*

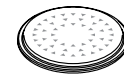
Pre-Install & Luminaire

### Lens Options



#### OptiClear™ Glass

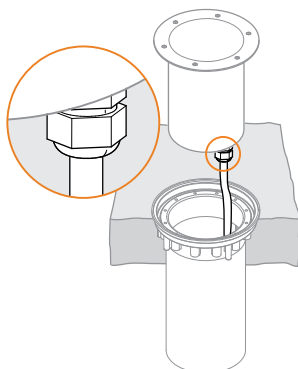
Glass of very high optical purity and load strength. Suitable for walk-over and drive-over applications.



#### GripGlass™

**OptiClear™** glass with slip reduction glazing process. Suitable for walk-over and drive-over applications.

### Connection Type '84' for LS644-K-84 Pre-Installation Blockout

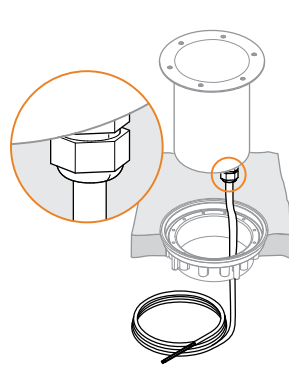


#### MicroAntiLeach™ Cable

For connection to the branch circuit via junction box (by others) or other approved method.

3 m length. For other length options, consult factory.

### Connection Type '84' for LS644-2 Pre-Installation Collar



#### MicroAntiLeach™ Cable

For connection to the branch circuit via junction box (by others) or other approved method.

3 m length. For other length options, consult factory.

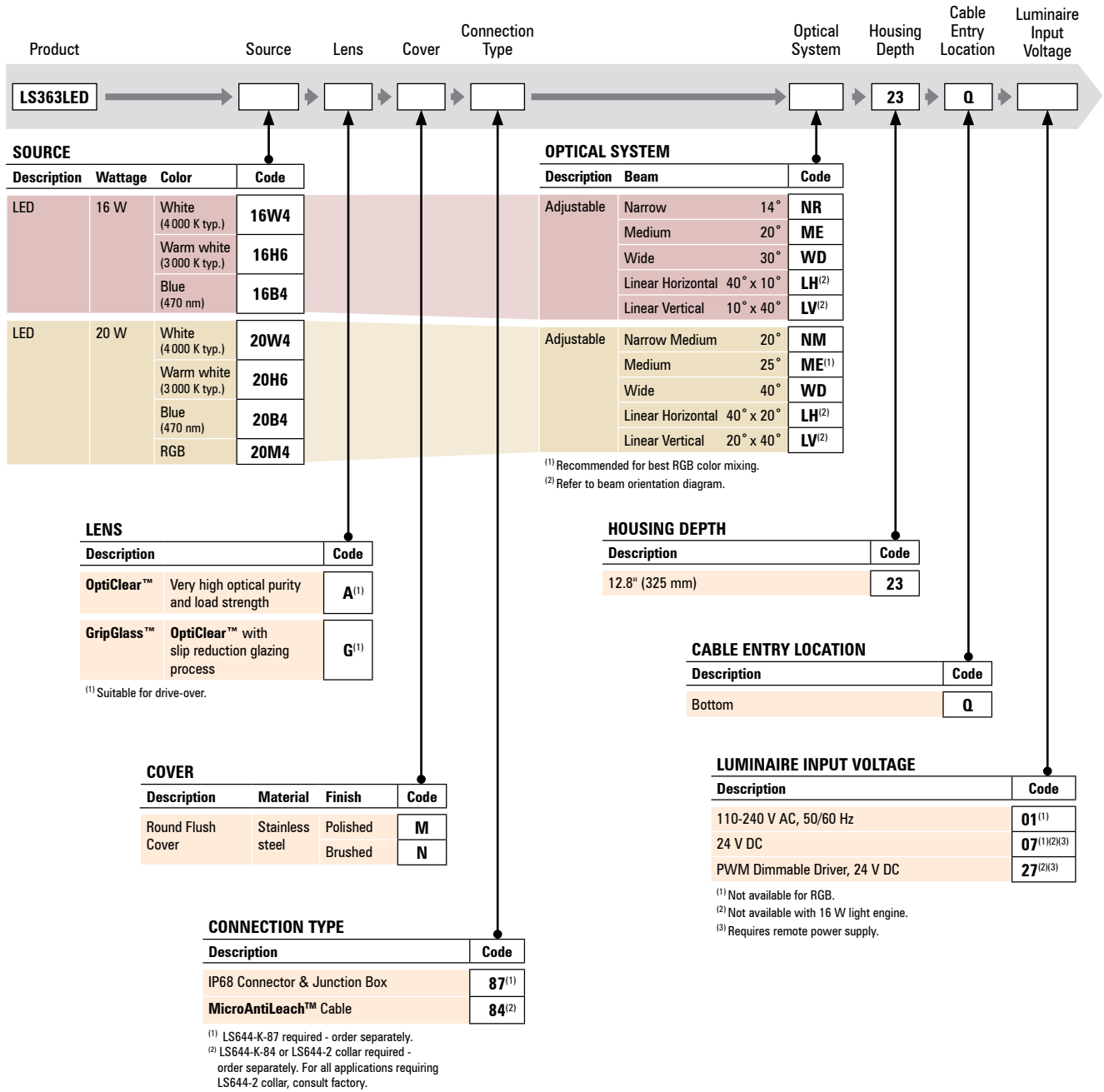
### Flush Cover Options

Flush covers for pre-installation use special seals and support bushes to ensure static loads up to 3 968 lb (1 800 kg) are properly supported. In order to achieve this drive-over rating, **OptiClear™** or **GripGlass™** must be used.

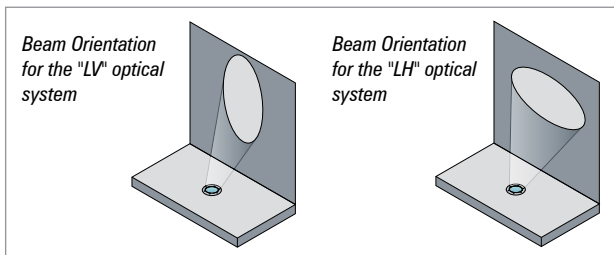


#### Pre-Installation Blockout Round Flush Cover

- SS316: Polished
- SS316: Brushed



Beam Orientations



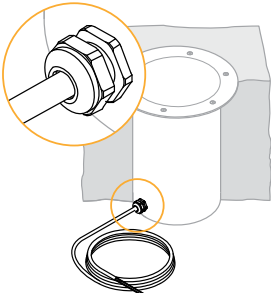
Why Use Direct Burial?

Direct burial installation is ideal for landscaping areas or for special applications where depth is restricted. This type of installation also allows for maximum heat dissipation. The 316 grade Stainless Steel construction of the luminaire performs flawlessly in alkaline and acidic soil types, and is also rated for use in concrete pour applications. **Note: This installation type has no option for a pre-installation blackout.**

Lumascap provides the LS363LED complete with 3 m of factory installed cable, supplied complete with **MicroAntiLeach™** seal. This provides the installer with greater flexibility to determine the location of the electrical connection. This connection is also 100% hard-wired. All aspects of the luminaire itself remains field serviceable.

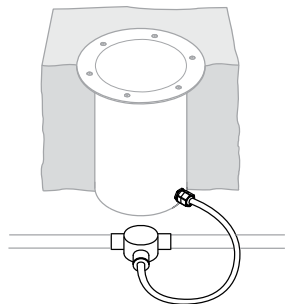
**Consult factory for application advice prior to using this configuration.**

**Connection type '84'**  
for 'Direct Burial' housing




**MicroAntiLeach™ Cable**  
For connections to the branch circuit via junction box (by others) or other approved method. 3 m length.  
For other length options, consult factory.

**Connection type '81'**  
for 'Direct Burial' housing

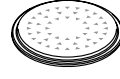


**Armoured Cable & Junction Box**  
The luminaire is factory-fitted with a 0.6 m armoured cable. Ensure terminations can be made within this length.  
For other length options, consult factory.

**Lens Options**



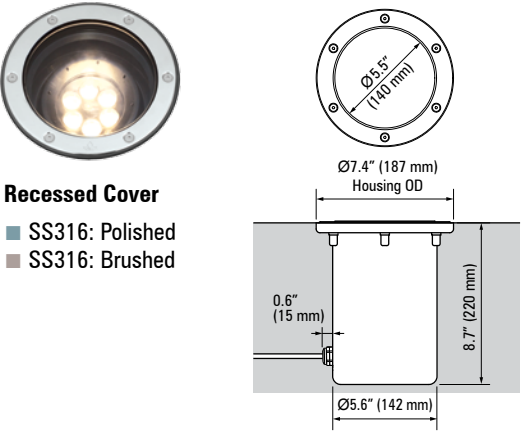
**OptiClear™ Glass**  
Glass of very high optical purity and load strength. Suitable for walk-over and drive-over applications.



**GripGlass™**  
**OptiClear™** glass with slip reduction glazing process. Suitable for walk-over and drive-over applications.

**Recessed Cover Options**

Use recessed cover for installation in soil, grass, pavers and other uneven surfaces where no cover overhang is desired.

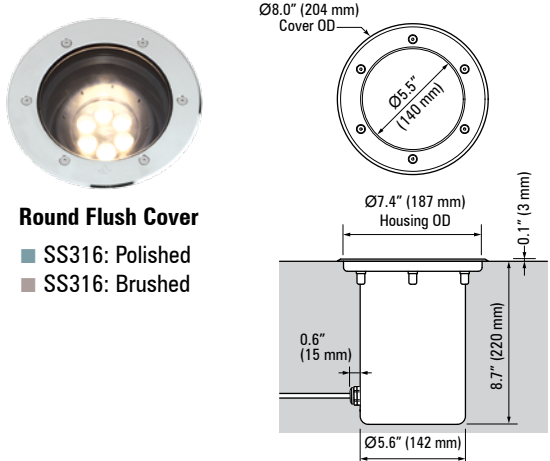


**Recessed Cover**

- SS316: Polished
- SS316: Brushed

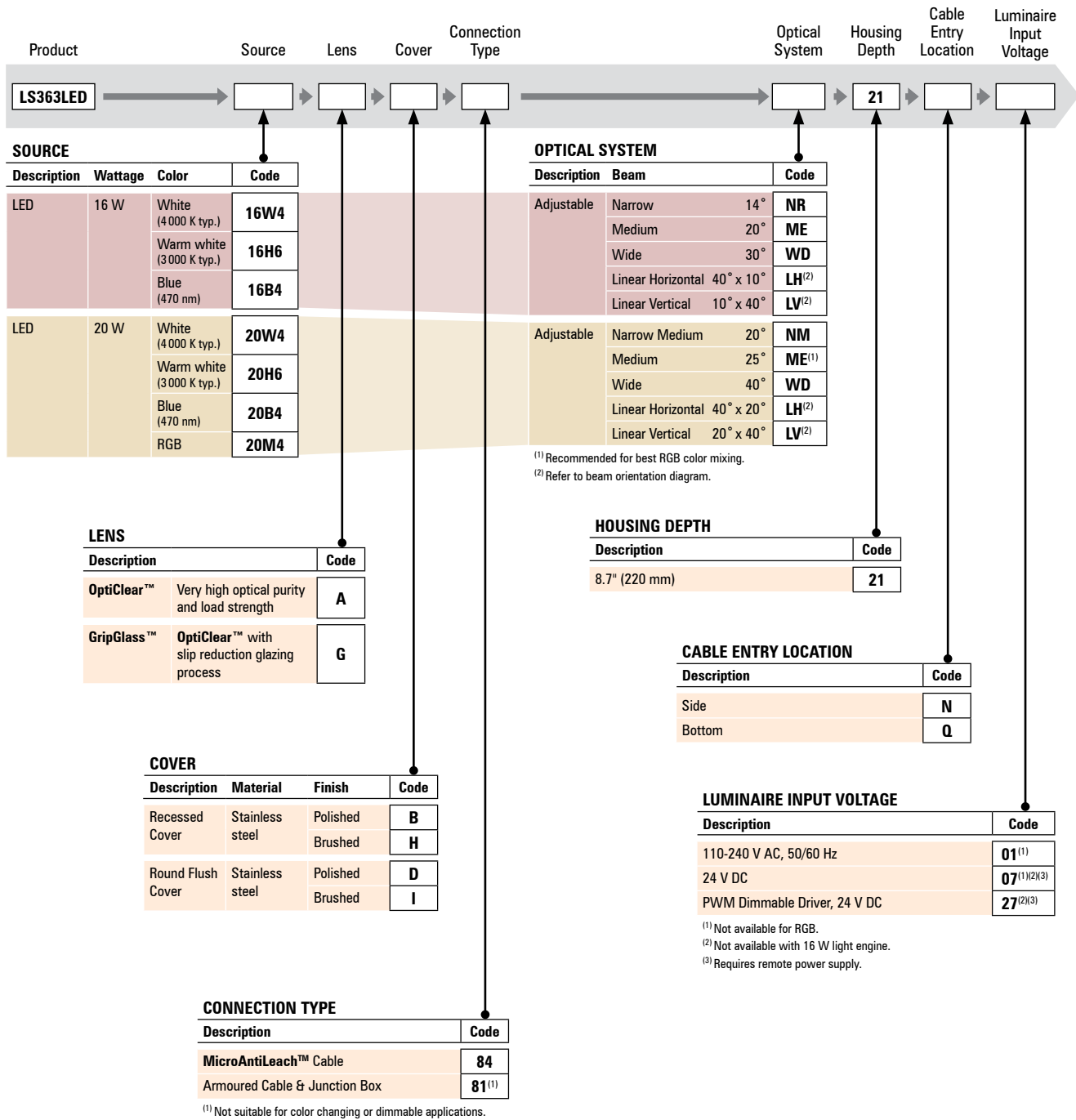
**Flush Cover Options**

Use flush covers for installation in fine finished surfaces such as granite and marble. They can also be used in some suspended applications. The flush cover will conceal gaps between the luminaire and the surrounding surface.

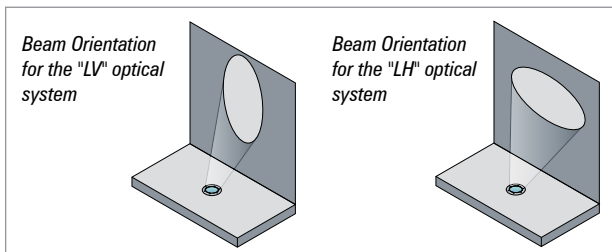


**Round Flush Cover**

- SS316: Polished
- SS316: Brushed



Beam Orientations



Photometrics

Photometric data is based on test results from a NIST traceable testing lab. IES data is available at [www.lumascap.com](http://www.lumascap.com).

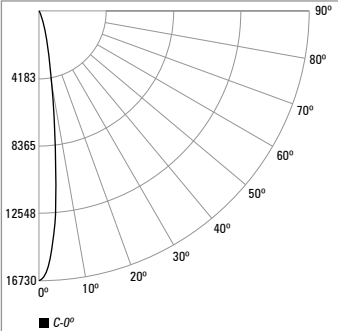
Note: No depreciation factor is applied to the data shown.

Polar Candela Distribution

Illuminance at a Distance

**LS363LED**  
4 000 K  
14° Beam Angle

Power Input	17.7 W
Lumens	1331 lm
Efficacy	75 lm/W

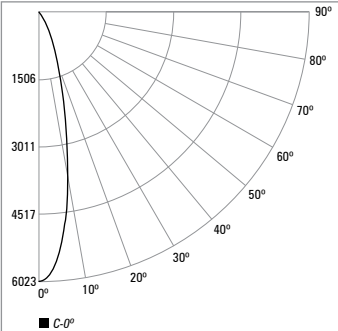


	C 0°	C 10°	C 20°	C 30°	C 40°	C 50°	C 60°	C 70°	C 80°	C 90°
0°	16730	16730	16730	16730	16730	16730	16730	16730	16730	16730
10°	4384	4553	4451	4385	4362	4300	4241	4178	4126	4092
20°	337	334	322	307	297	295	292	287	282	279
30°	54	53	52	52	51	50	49	48	47	47
40°	15	14	14	14	14	14	14	13	13	13
50°	2	2	2	2	2	1	1	1	1	1
60°	0	0	0	0	0	0	0	0	0	0
70°	0	0	0	0	0	0	0	0	0	0
80°	0	0	0	0	0	0	0	0	0	0
90°	0	0	0	0	0	0	0	0	0	0

m	Center Beam lx	Beam Ø
2	4183	0.5 m
5	669	1.2 m
10	167	2.5 m
12	116	3.0 m
15	74	3.7 m

**LS363LED**  
4 000 K  
20° Beam Angle

Power Input	17.6 W
Lumens	1198 lm
Efficacy	68 lm/W



	C 0°	C 10°	C 20°	C 30°	C 40°	C 50°	C 60°	C 70°	C 80°	C 90°
0°	6023	6023	6023	6023	6023	6023	6023	6023	6023	6023
10°	3370	3375	3384	3375	3367	3380	3385	3440	3465	3452
20°	890	896	899	896	892	883	875	870	885	882
30°	188	189	189	188	186	184	182	180	179	178
40°	38	39	39	38	38	38	38	37	37	37
50°	4	4	4	4	4	4	4	5	5	5
60°	0	0	0	0	0	0	0	0	0	0
70°	0	0	0	0	0	0	0	0	0	0
80°	0	0	0	0	0	0	0	0	0	0
90°	0	0	0	0	0	0	0	0	0	0

m	Center Beam lx	Beam Ø
2	1506	0.8 m
5	241	1.9 m
10	60	3.9 m
12	42	4.7 m
15	27	5.8 m

**LS363LED**  
4 000 K  
30° Beam Angle

Power Input	17.8 W
Lumens	1064 lm
Efficacy	60 lm/W



	C 0°	C 10°	C 20°	C 30°	C 40°	C 50°	C 60°	C 70°	C 80°	C 90°
0°	3349	3349	3349	3349	3349	3349	3349	3349	3349	3349
10°	2552	2546	2549	2551	2547	2537	2526	2523	2527	2533
20°	963	961	959	956	956	955	953	949	944	940
30°	249	248	246	244	241	240	237	234	233	230
40°	27	27	28	28	28	27	27	27	27	27
50°	4	4	4	4	4	4	4	4	4	4
60°	0	0	0	0	0	0	0	0	0	0
70°	0	0	0	0	0	0	0	0	0	0
80°	0	0	0	0	0	0	0	0	0	0
90°	0	0	0	0	0	0	0	0	0	0

m	Center Beam lx	Beam Ø
2	838	1.1 m
5	134	2.7 m
10	34	5.4 m
12	23	6.4 m
15	15	8.0 m

**LS363LED**  
4 000 K  
10° x 40° Beam Angle

Power Input	17.8 W
Lumens	1267 lm
Efficacy	71 lm/W



	C 0°	C 10°	C 20°	C 30°	C 40°	C 50°	C 60°	C 70°	C 80°	C 90°
0°	6550	6550	6550	6550	6550	6550	6550	6550	6550	6550
10°	6123	5860	5138	4048	2938	2119	1608	1329	1186	1126
20°	3727	3205	1988	926	461	261	179	147	131	125
30°	934	704	328	139	73	48	35	31	31	30
40°	119	90	45	25	17	13	11	10	9	9
50°	9	8	6	4	2	2	1	1	0	0
60°	0	0	0	0	0	0	0	0	0	0
70°	0	0	0	0	0	0	0	0	0	0
80°	0	0	0	0	0	0	0	0	0	0
90°	0	0	0	0	0	0	0	0	0	0

m	Center Beam lx	Beam W	Beam L
2	1647	1.5 m	0.4 m
5	264	3.8 m	1.1 m
10	66	7.7 m	2.1 m
12	46	9.2 m	2.5 m
15	29	11.5 m	3.2 m

### SAFETY STANDARDS

Lumascape's **GripGlass™** pattern is specifically designed to maximise effective contact area achieved between an average pedestrian footprint and the slip resistant **GripGlass™** treated area, while minimising the impact on luminaire output and performance.

Independent laboratories using German standard **DIN 51130**, have determined the **GripGlass™** treated surface area achieves an R11 (or greater) performance rating, using the Oil Wet Ramp Test. **This R11 rating relates to the surface area effected with the GripGlass™ treatment only (see diagram), and is not applicable to the entire luminaire including untreated glass area and surrounding stainless steel or brass cover.**

A brief explanation of this test is as follows.

### OIL-WET RAMP TEST METHOD

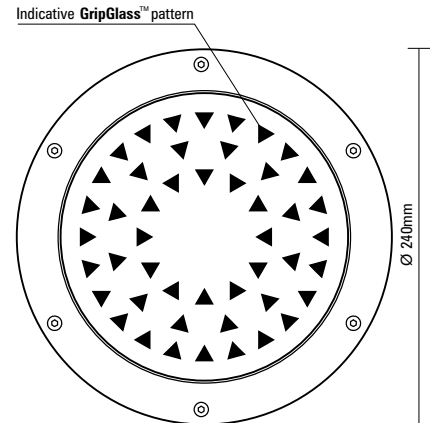
Two test persons, wearing standard test shoes, are used to determine the angle of inclination at which safe walking no longer occurs, after the pedestrian surface material being tested is coated with engine lubricating oil. The angles of inclination obtained are used to assess the friction characteristics of the test surface.

Rating	Angle (degrees)
R9	≥6 <10
R10	≥10 <19
R11	≥19 <27
R12	≥27 <35
R13	≥35

### SLIP RESISTANCE RATINGS FOR TYPICAL PEDESTRIAN SURFACE

Description	Rating
External collonade, walkways and pedestrian crossings	R10
Entry foyers hotel, office, public buildings – wet	R10
Entry foyers hotel, office, public buildings – dry	R9
Shopping centre excluding food court	R9
Shopping centre – food court	R10
Hospitals and aged care facilities – dry areas	R9
Hospitals and aged care facilities – ensuites	R10
Undercover concourse areas of sports stadium	R10

The above information is for reference only. Ratings only refer to the treated area.



LS343 recessed cover with GripGlass™ depicted

