

LS421LED: Centria Single Colour A.C.N. 0105 72 773

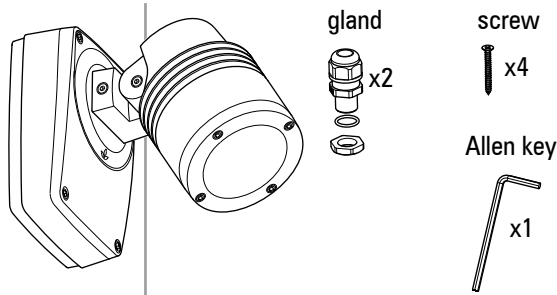
Warranty voided if not installed as per installation instructions

CAUTION

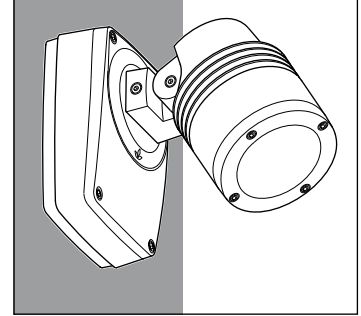
No power tools



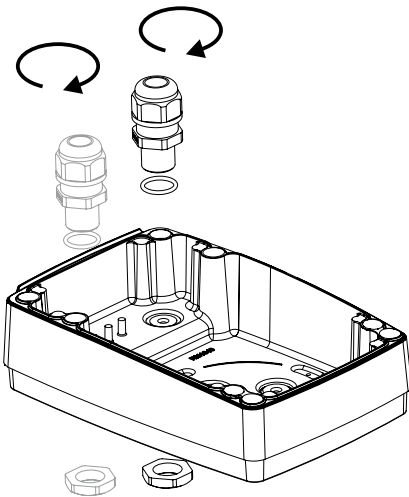
COMPONENTS



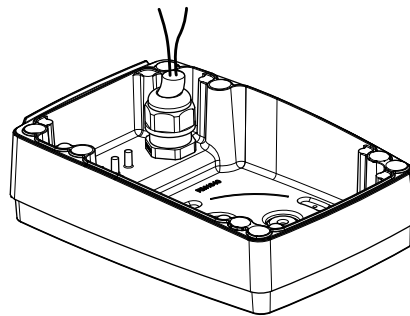
FINISHED APPEARANCE



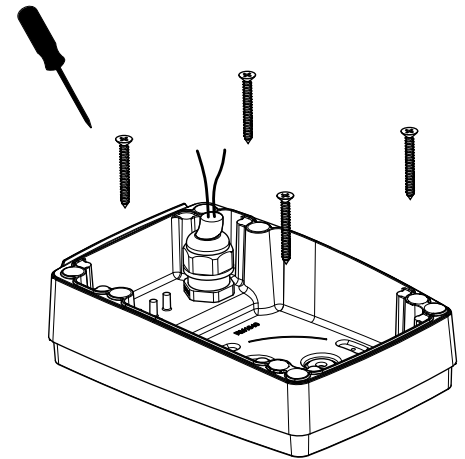
1. Twist glands onto base.



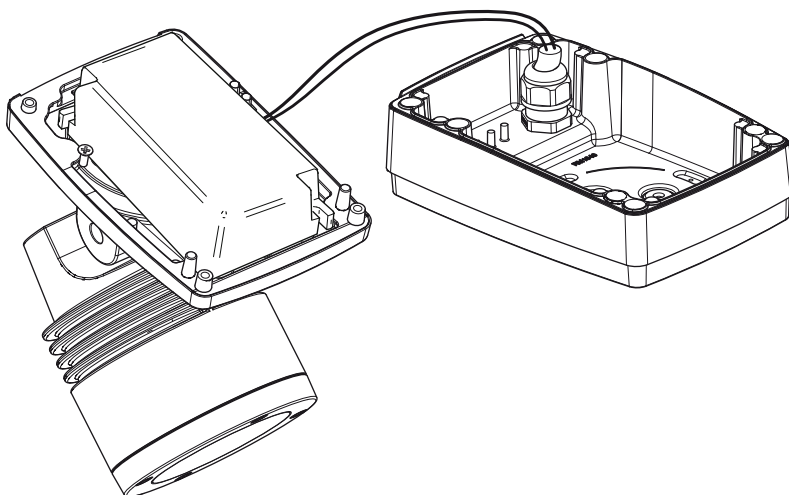
2. Insert cabling into gland.



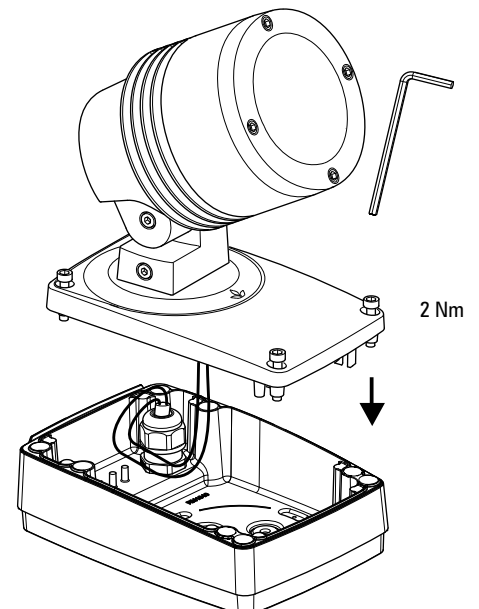
3. Screw base onto surface, eg. wall.



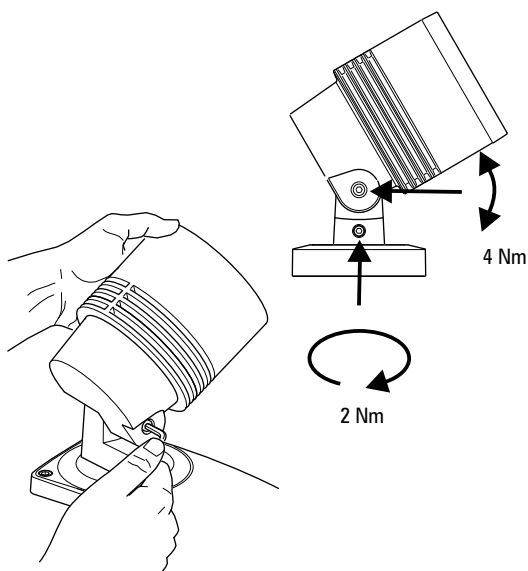
4. Connect cabling to switch board.



5. Screw onto base, DO NOT use power tools. Ensure correct torque is applied.



6. Use the Allen key to aim the luminaire to desired angle.



Questions?
Call 07 3286 2299
Email sales@lumascope.com.au
www.lumascope.com.au

SAFETY INSTRUCTIONS

WARNING - To reduce the risk of FIRE or INJURY:

1. Luminaires and transformers to be installed by licensed electrical contractors.
2. Luminaires to be used for intended purpose only.
3. Do not operate the luminaires with a missing or damaged parts.
4. Use only genuine Lumascope parts to replace damaged or missing components.
5. Refer to instructions for installation and operating requirements.
6. Ensure installation complies with local regulations

Voltage insulation test (megger) will permanently damage product and will void warranty.

SAVE THESE INSTRUCTIONS.