

# 0-10 V to PWM Converter

## Installation Instructions

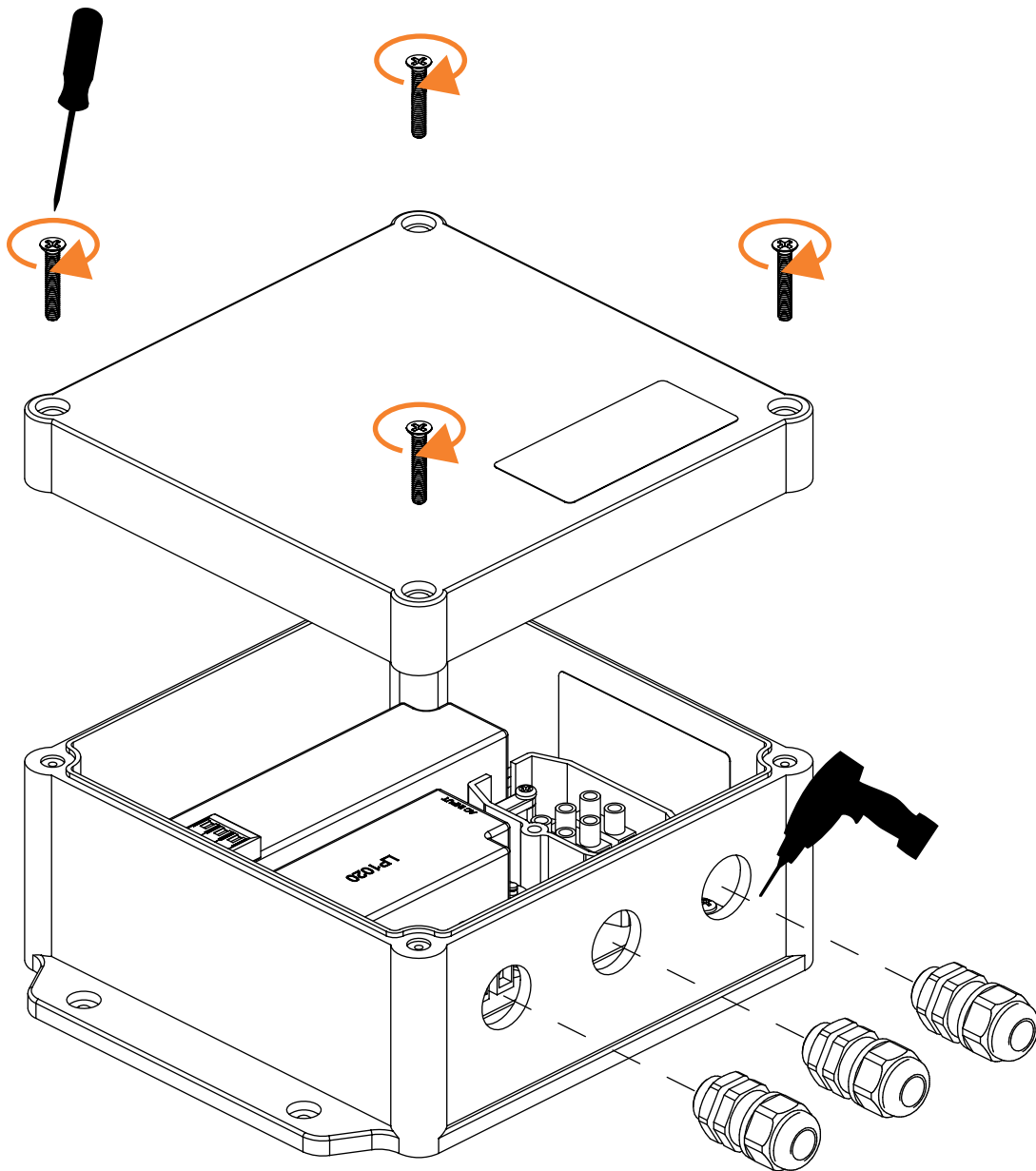


|                             |              |
|-----------------------------|--------------|
| <b>Input Voltage:</b>       | 100-240 V AC |
| <b>Power Consumption:</b>   | 10W maximum  |
| <b>IP Rating:</b>           | IP65         |
| <b>Ambient Temperature:</b> | Ta 50°C      |

## Installation

**STEP 1** Drill holes to install glands as required.

- ◀ Three glands are included with the enclosure. See wiring diagram on back for more information.



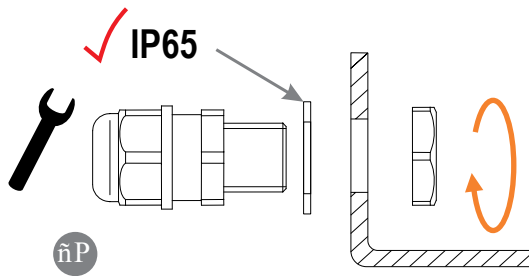
Products and specifications are subject to change without notice.

# 0-10 V to PWM Converter

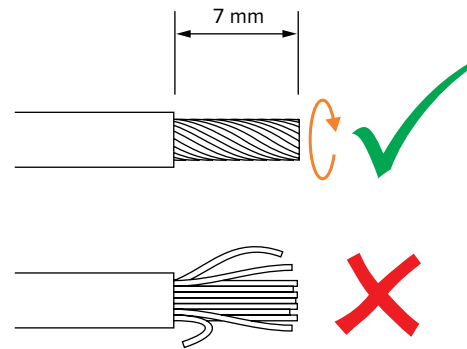
## Installation Instructions

### Installation

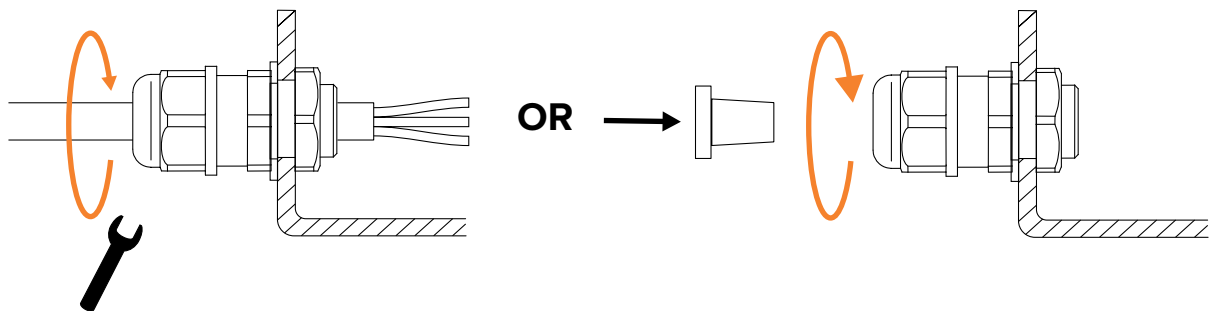
#### STEP 2 Install glands



#### STEP 3 Connect wires



#### STEP 4



Products and specifications are subject to change without notice.

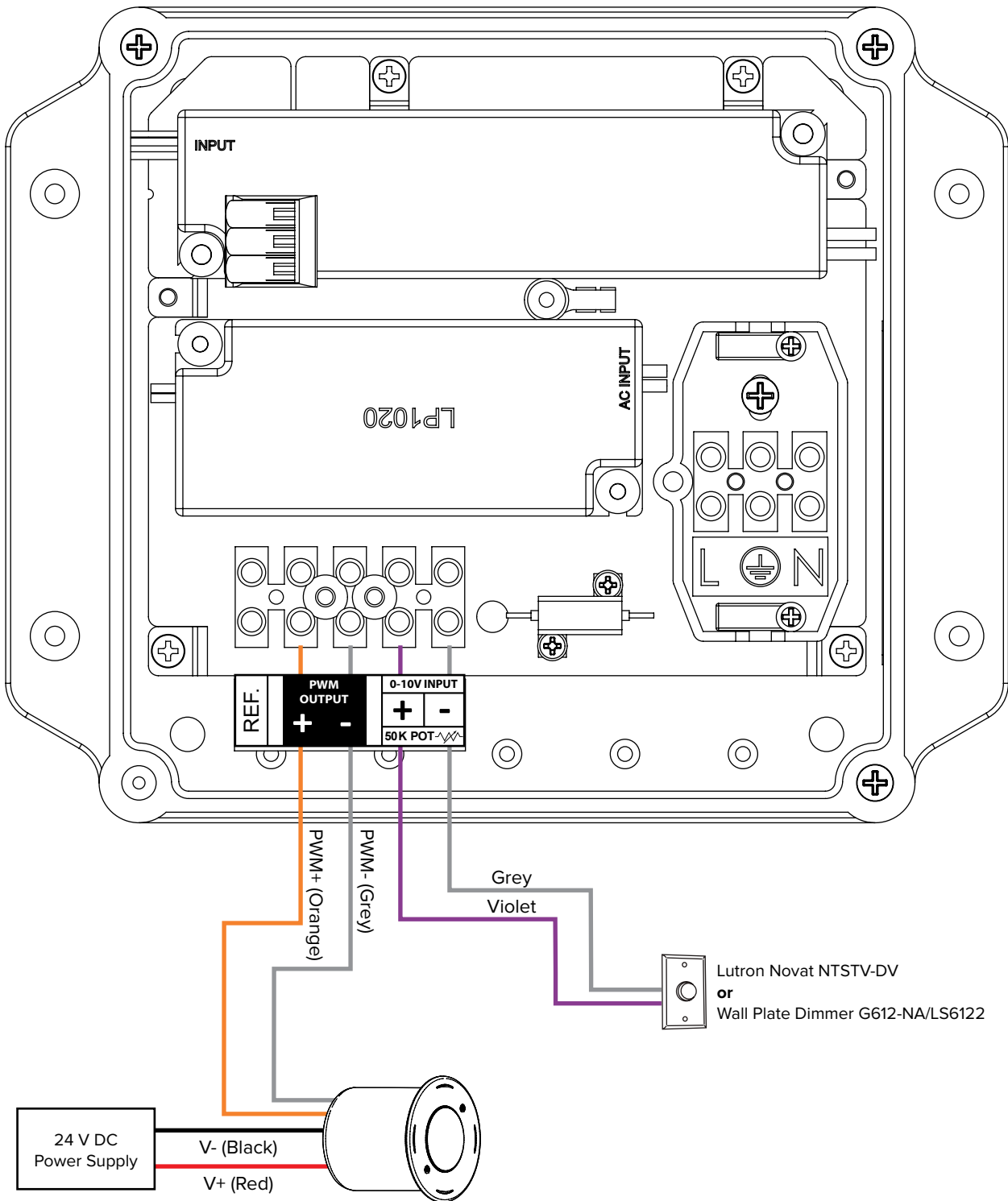
# 0-10 V to PWM Converter

## Installation Instructions



## Wiring Configuration

For all luminaires (excluding LS333ANS-2COB)



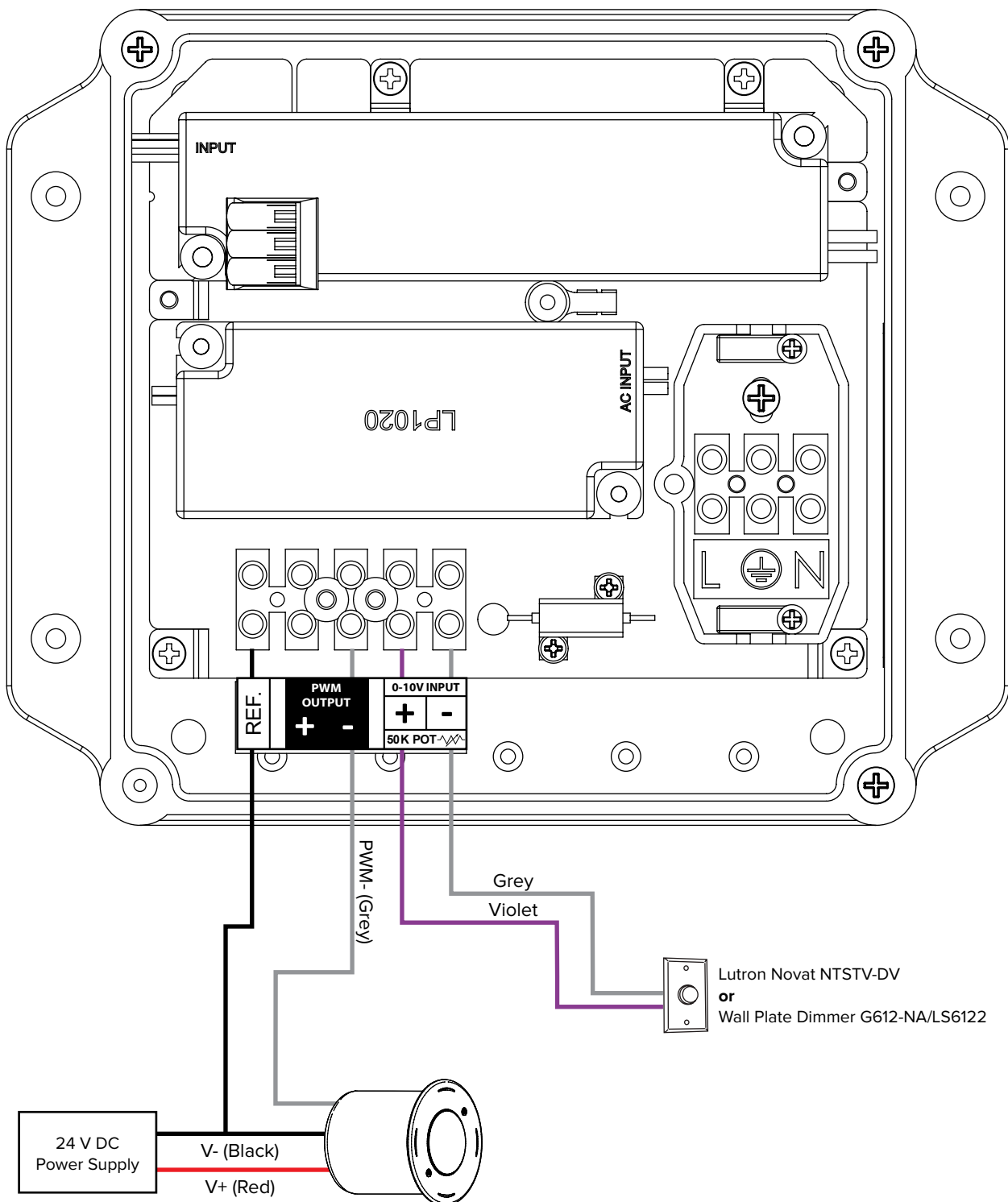
Products and specifications are subject to change without notice.

# 0-10 V to PWM Converter

## Installation Instructions

### Wiring Configuration

For LS333ANS-2COB only



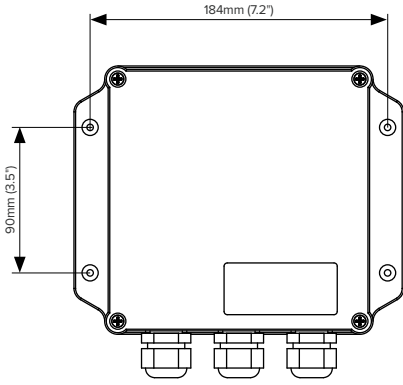
Products and specifications are subject to change without notice.

# 0-10 V to PWM Converter

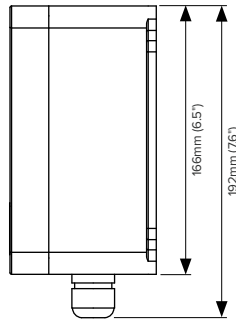
## Installation Instructions



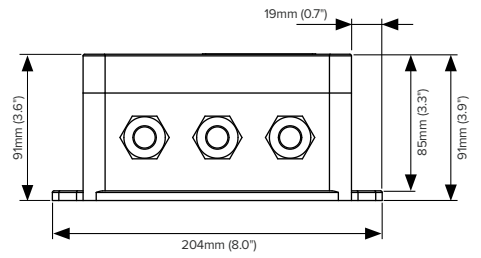
### Technical Drawings



Front View



Side View



Bottom View

Products and specifications are subject to change without notice.

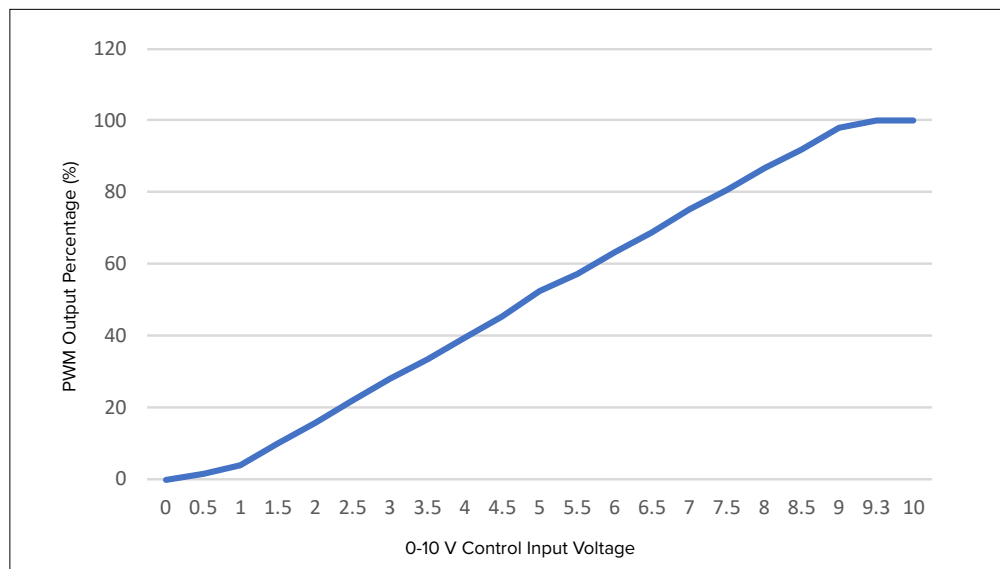
# 0-10 V to PWM Converter

## Installation Instructions

### Dimming Diagram

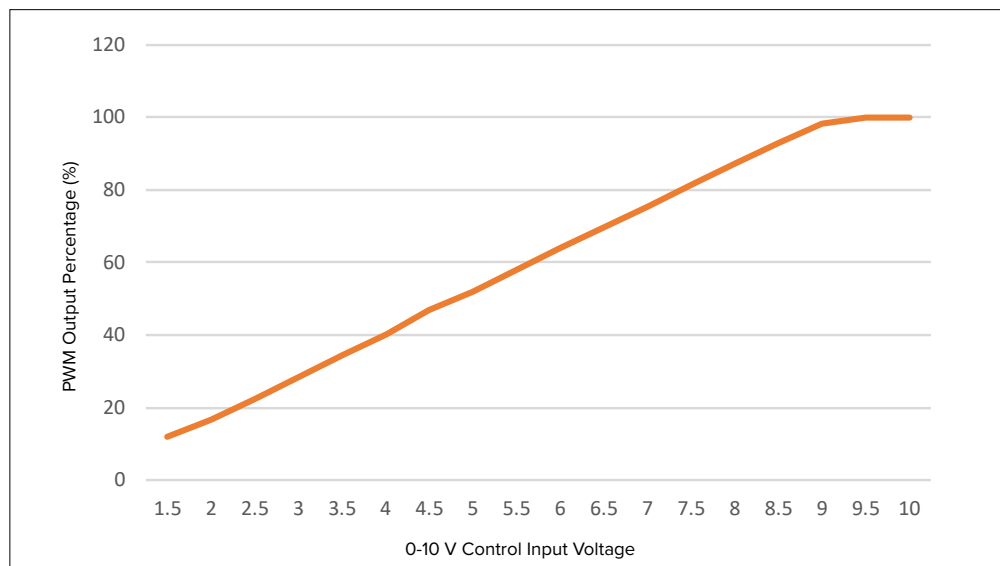
#### Lutron Novat NTSTV-DV Controller

Fixture Loading = 20



#### 0-10 V Output

Fixture Loading = 20



Products and specifications are subject to change without notice.

# 0-10 V to PWM Converter

## Installation Instructions



### Compatibility Chart

|                       | Low Voltage Single Channel 12V AC or 24V DC RM1603 (T3) | Low Voltage Triple Channel 12V AC or 24V DC RM3682 (Triple T3) | Low Voltage Triple Channel 12V AC or 24V DC RM2526 (Brick) | Low Voltage Single Channel 30V DC RM3706 (COB) |
|-----------------------|---|--|--|--|
| G411-LED              | •   |  |  |  |
| G421-LED              | •   |  |  |  |
| G422-LED              | •   |  |  |  |
| G431-LED              | •   |  |  |  |
| G451-LED              | •   |  |  |  |
| G461-LED              | •   |  |  |  |
| G511-LED              | •   |  |  |  |
| G512-LED              | •   |  |  |  |
| G521LED               | •   |  |  |  |
| G522-LED              | •   |  |  |  |
| LS121LED              | •   |  |  |  |
| LS121-2LED            | •   |  |  |  |
| LS134LED              | •   |  |  |  |
| LS151LED              | •   |  |  |  |
| LS192-2LED            | •   |  |  |  |
| LS192LED              | •   |  |  |  |
| LS201LED              | •   |  |  |  |
| LS321-2LED            | •   |  |  |  |
| LS321LED              | •   |  |  |  |
| LS3333ANS-2LED        | •   | •  |  |  |
| LS3333ANS-2COB        |   |  |  | •  |
| LS375LED              | •   | •  |  |  |
| LS411LED              |   |  | •  |  |
| LS553LED              | •   |  |  |  |
| LS563LED              | •   | •  |  |  |
| LS731LED              | •   |  |  |  |
| LS741LED              | •   |  |  |  |
| LS751-2LED            | •   |  |  |  |
| LS751LED              | •   |  |  |  |
| LS762LED              | •   |  |  |  |
| LS772LED / LS722-2LED | •   |  |  |  |
| LS782LED              | •   |  |  |  |
| LS793LED              | •   | •  |  |  |
| LS9401LED             | •   |  |  |  |
| LS9402LED             | •   |  |  |  |
| LS9403LED             | •   |  |  |  |
| LS9404LED             | •   |  |  |  |
| LS9405LED             | •   |  |  |  |
| LS9406LED             | •   |  |  |  |
| LS9407LED             | •   |  |  |  |

Products and specifications are subject to change without notice.

**ASIA PACIFIC CHINA**

Brisbane Technology Park  
18 Brandl Street, Eight Mile Plains  
Queensland, 4113, Australia  
**P:** +61 7 3854 5000  
**F:** +61 7 3854 5001  
**E:** sales@lumascape.com

20 West Building 377 Wuyi Road  
Wujin Hi-Tech Zone, Changzhou  
Jiangsu, China  
**P:** +86 519 8919 2555  
**F:** +86 519 8919 1053  
**E:** chinasales@lumascape.com

**NORTH AMERICA MIDDLE EAST, NORTH AFRICA, INDIA, TURKEY**

1940 Diamond Street, San Marcos  
California, 94070 United states  
**P:** +1 650 595 5862  
**F:** +1 650 595 5820  
**E:** info@lumascape.com

Dubai World Central  
Building Block C, Office #432  
Dubai, United Arab Emirates  
**P:** +97 4887 9951 or +97 1 54300 0421  
**F:** +971 4887 9601  
**E:** sales@lumascapeme.ae

FOLLOW US

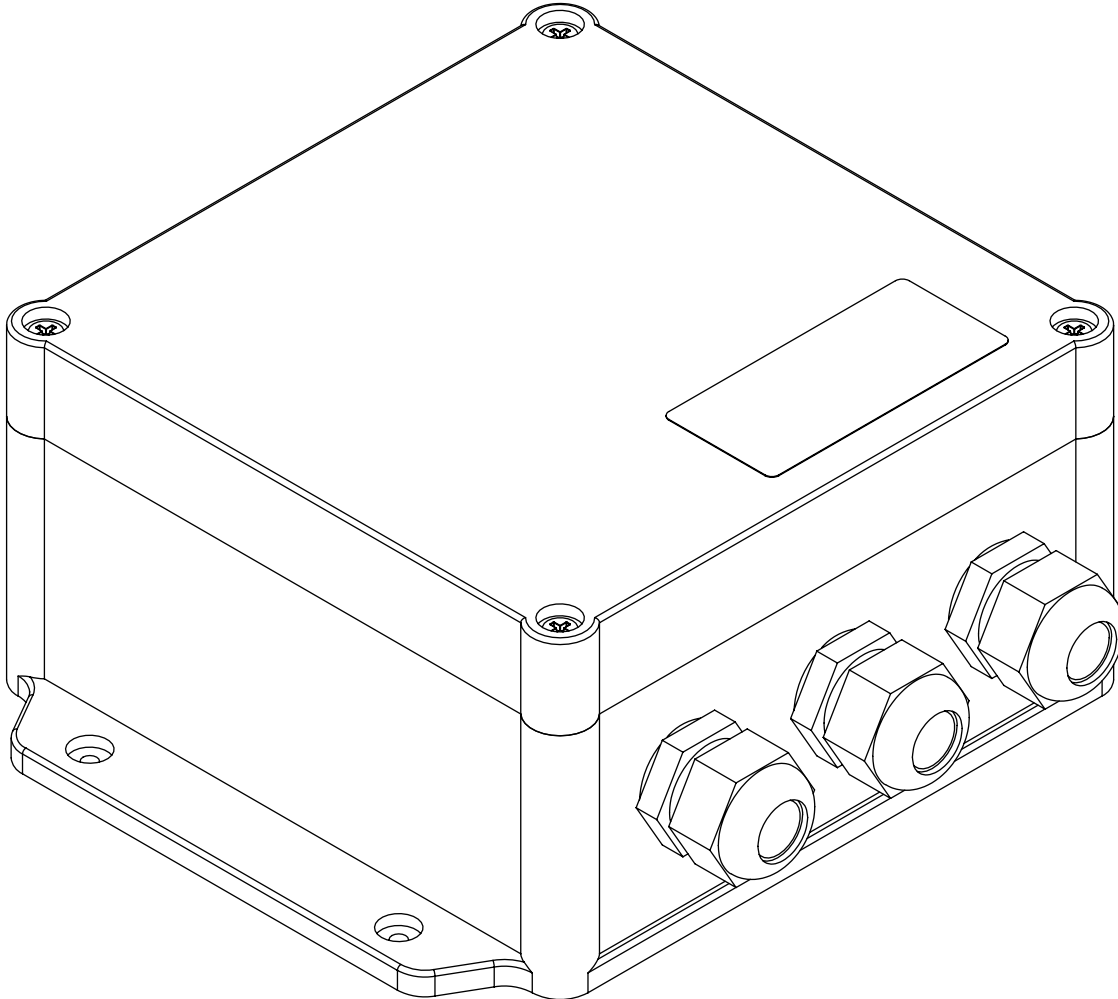


[www.lumascape.com](http://www.lumascape.com)



# 0-10 V to PWM Converter

## Installation Instructions



### READ ALL SAFETY INSTRUCTIONS FIRST

- › Follow all safety instructions carefully. Failure to do so will void warranty.
- › Ensure installation complies with local electrical rules and regulations
- › Luminaires and transformers to be installed by licensed electrical contractors.
- › Luminaires to be used for intended purpose only.
- › Do not operate the luminaires with a missing or damaged parts.
- › Use only genuine parts to replace damaged or missing components.
- › Please refer to the instructions for installation and operating requirements.

---

**Voltage insulation test (megger) will permanently damage product and void warranty.**

---