



The LS9402LED is a brilliant LED stake mounted accent, featuring dimming control options: When high output is required, it can be deployed in its full output, 2W configuration; If a dot of light is required, it can be set as low as 0.2W, (either by the factory or in the field). Alternatively, the luminaire can be dynamically dimmed via Lumascope d5 driver technology. This luminaire also comes with a stake that can be set at 0° or 30° to suit any landscape or planter application. Constructed in part from 316 Marine Grade Stainless Steel, this luminaire also comes with Lumascope proprietary **ElectroPolishPlus™** surface treatment as standard.

Performance

Static White & Colour	Lumen Output (lm)	Efficacy (lm/W)	Peak Intensity (cd)
● 3,000 K (80 CRI)	169	60	1,989
● 4,000 K (80 CRI)	184	66	2,066
● Blue (470nm)	-	-	-

Static white lumen output values are based on 2W luminaire with 14° lens.

Beam Angles	14°, 20°, 30°, 10° x 40°, Flood
--------------------	---------------------------------

Electrical

LED Power	1W, 2W
Consumption	2.8W (maximum for 2W)
Input Voltage	Low Voltage 24V DC (International) 12-15V AC, 12-24V DC (North America)

Control

Protocols	PWM (0-10V to PWM, DMX to PWM and DALI to PWM converters available)
------------------	---

Physical

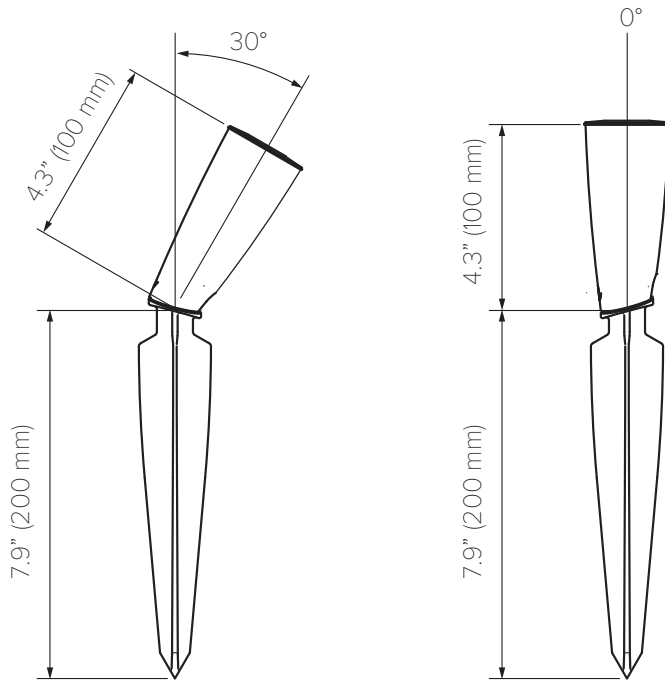
Housing	316 Marine Grade Stainless Steel bezel with polymer housing
Installation	Stake mount (For landscape applications only)
Ambient Operating Temperature	-20°C to +50°C (-4°F to 122°F)
Surface Temperature	≤65°C (≤149°F) HumanTouch™ Compliant

Certification & Compliance

IP Rating	IP68
Certifications	CE, ETL



Luminaire Dimensions



LS9402LED

Power	Code
1W	1
2W	2

Static White & Colour	Code
3,000 K (80 CRI)	H6
4,000 K (80 CRI)	W4
Blue (470nm typical)	B4

Beam	Code
Narrow 14°	NR
Medium 20°	ME
Wide 30°	WD
Linear 10° x 40°	LN
Flood	FL

Tilt	Code
Standard	U

Finish	Code
Stainless Steel	SS

Input Voltage (International)	Code
PWM Dimmable Driver, 24V DC	27 ⁽¹⁾

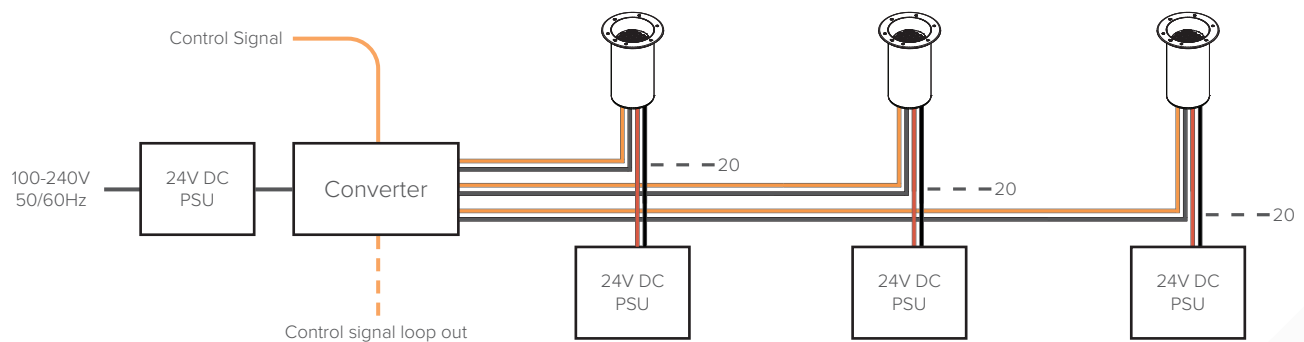
Cable Length	Code
2m	02
8m	08
15m	15
20m	20
25m	25

Input Voltage (North America)	Code
PWM Dimmable Driver, 12-15V AC, 12-24V DC	23 ⁽¹⁾

Cable Length	Code
6ft	006
26ft	026
48ft	048
65ft	065
82ft	082

(1) Requires appropriate power supply

Wiring Diagram - Static Colour (DMX / DALI)



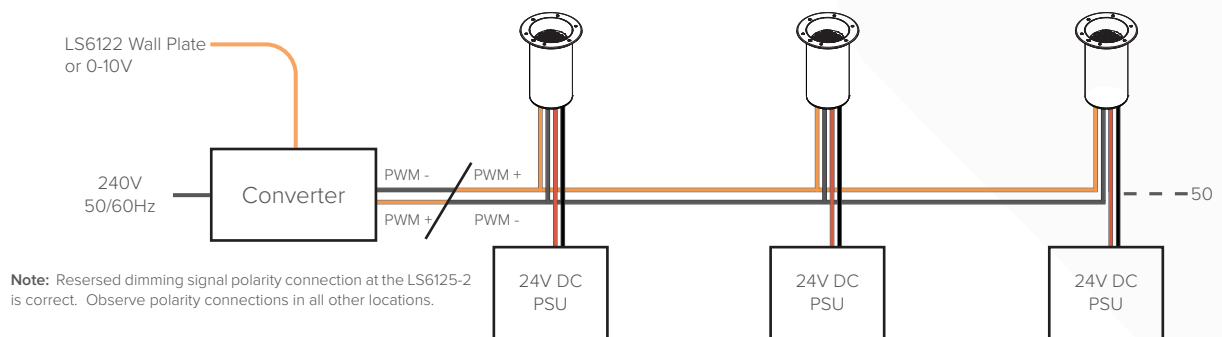
Control Protocols

- DMX** For DMX control signal, use LS67100 DMX to PWM converter
- DALI** For DALI control signal, use LSLED-RGBDIM-DALI converter

Up to 20 luminaires per run under the following conditions:

- Up to three (3) individually addressed dimmable channels
- Up to 20 luminaires per dimmable channel
- Luminaires driven by integral LED drivers
- Luminaires powered through individual power supplies or
- Luminaires powered through LS67100 PWM controller only (up to 100W total)
- Refer to 'Maximum Circuit Load' table for circuit limitations
- Always observe local electrical codes for branch circuit current limitations

Wiring Diagram - Static Colour (0-10V)



Control Protocols

- 0-10V** For 0-10V control signal, use LS6125-2 0-10V to PWM converter

Up to 50 luminaires per run under the following conditions:

- Stand alone static colour dimming solution
- Up to 50 luminaires dimmed together
- Luminaires driven by integral LED drivers using LS6122 wall plate dimmer
- Luminaires powered through individual or shared power supplies
- Refer to 'Maximum Circuit Load' table for circuit limitations
- Always observe local electrical codes for branch circuit current limitations

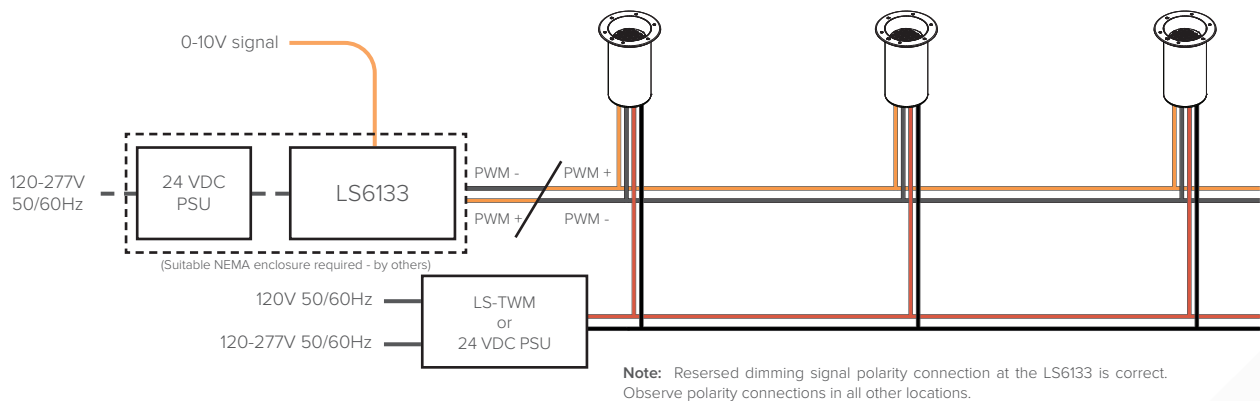
Maximum Circuit Load

Compatibility with each driver is indicated by the value shown in the table, representing the maximum number of luminaires that may be powered from each driver based on a maximum cable run of 100m (328ft) and a trunk cable size of 3.3mm². Please note, this does not take into consideration voltage drop beyond a distance of 100m or ampacity limits of the branch circuit. For assistance, please consult factory.

LSLED-24V Power Supplies			
Input Voltage	100-240V, 50/60Hz		
Output Voltage	24V DC		
Wattage	40W	100W	150W
LS9402LED, 1W	20	45	75
LS9402LED, 2W	10	26	36

NOTE: The above diagrams are intended to show electrical pathways between luminaires and ancillary device. These diagrams are not intended to show type or colour of cord / wire, luminaire input voltage rating, wire gauge or approved use of the cord / wire supplied with luminaires.

Wiring Diagram - Static Colour (0-10V)

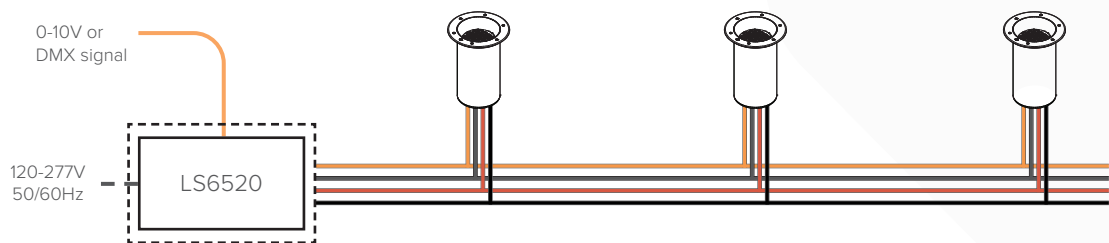


Control Protocols

0-10V For 0-10V control signal, use LS6133 0-10V to PWM converter

Wiring Diagram - Static Colour

Please note: The use of a GFCI may be required. Consult local wiring rules.



Maximum Circuit Load

Compatibility with each transformer or power supply is indicated by the value shown in the table, representing the maximum number of luminaires that may be powered from each transformer or power supply. Please note, this does not take into consideration voltage drop or ampacity limits of the branch circuit. In addition, dimming circuit total wire length must be kept under 328' (100m). For assistance, please consult factory.

	Transformer / Power Supplies							
	LS-TWM-1-300	LSLED-24V75W277	LSLED-24V 120 / 240 / 320 P09			LS6520		
Input Voltage	120V, 60Hz	120-277V 50/60Hz	120-277V 50/60Hz			100-277V, 50/60Hz		
Output Voltage	12/13/14V, 60Hz	24V DC	24V DC			24V DC		
Wattage	1 x 300W circuit	75W	120W	240W	320W	120W	240W	320W
LS9402LED, 1W	96	40	72	145	195	72	145	195
LS9402LED, 2W	54	20	36	73	98	36	73	98

NOTE: The above diagrams are intended to show electrical pathways between luminaires and ancillary device. These diagrams are not intended to show type or colour of cord / wire, luminaire input voltage rating, wire gauge or approved use of the cord / wire supplied with luminaires.