

The Bezel BZ2 is a recessed, wall-mounted luminaire that provides a powerful and versatile solution for low mounting heights. The unique floor-graze optic reduces the required height of architectural elements to house and install the luminaire. The luminaire’s performance wall optic offers best-in-class uniformity and high output to satisfy difficult municipal codes for egress and way-finding. Short and long shroud faceplate designs to maximize performance in any application. The slim, unobtrusive low-profile design offers minimalist aesthetics to accommodate other elements inside the wall.

Performance

Static White & Color		Lumen Output (lm)	Efficacy (lm/W)	Peak Intensity (cd)
● 2,700 K (80 CRI)	Low Voltage	100	28	72
	Line Voltage ¹	760	63	1,029
● 3,000 K (80 CRI) ¹		825	69	1,117
● 4,000 K (80 CRI) ¹		825	69	1,117

¹ Lumen output values are based on 10 W luminaire with the Performance Wash optic and a white finish.

Dynamic Color		Lumen Output (lm)	Efficacy (lm/W)	Peak Intensity (cd)
● RGBW		165	20	116



Products and specifications are subject to change without notice.
LS1230-220509

Electrical

LED Power	3 W, 5 W, 10 W
Power Consumption	< 4 W, < 9 W, < 12 W
Lifetime	> 60,000 hrs (B10, L70)
Input Voltage	Low Voltage 12 Vac/dc Line Voltage 220-240 Vac, 50 Hz (International) or 120/277 Vac, 60 Hz (North America)
Thermal Management	CoolDrive™ onboard thermal monitoring and control

Control

Dimming	0-10 V, Phase (forward or reverse), and/or Luxor® (See Specification Matrix for compatibility requirements)
Systems	Range of third-party controllers

Please Note: Some protocols require additional hardware. For more information and other available protocols contact Lumascape.

Physical

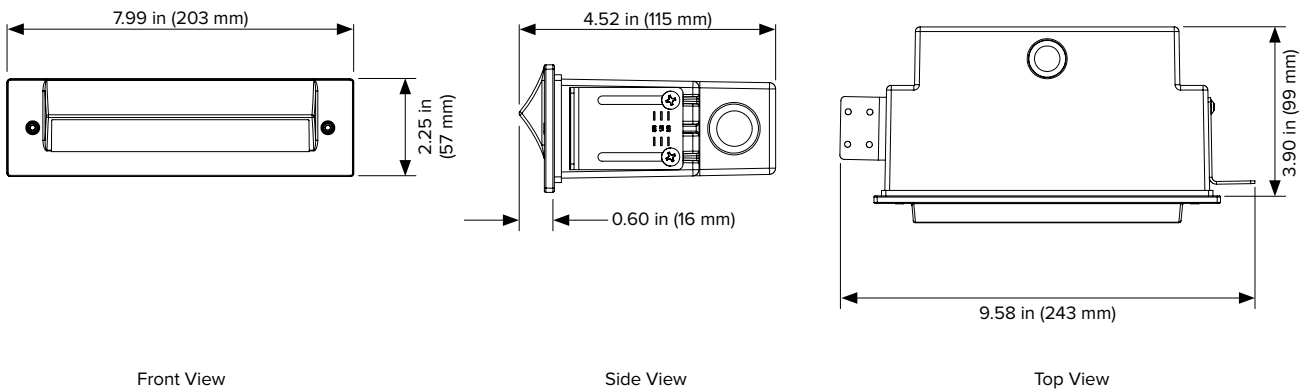
Housing	Die-cast aluminium A380 housing with polycarbonate construction sleeve
Faceplate	Die-cast aluminium A380 faceplate.
LED	Lumiled ZES
Optics	75° beam angle with 130° field angle. Select either floor graze (FG) or performance wash (PW) optical pattern, depending on mounting height. For mounting heights between 2" (50 mm) and 6" (150 mm), select the FG optic. It is recommended to select the PW option for mounting heights above 12" (305 mm). The long shield (LS) increases the glare protection, with the tradeoff of reducing the forward throw. See .ies files for more information.
Lens	Tempered glass lens with shock resistance and high tolerance for thermal expansion and stress. Lens is frosted.
Finish	Two-layer, marine-grade, protection of sulfuric acid anodization and polyester TGIC powder-coat, providing superior outdoor weathering in all conditions. Tested to ASTM standards.
Installation	Recessed
Installation Requirements	Housing/sleeve designed for recessed applications in the downward direction only. Mounting kit required for installation and shipped separately.
Mounting Kit	Polycarbonate construction sleeve with vertical and horizontal ½" (12.5 mm) NPT knockouts. Construction cover included. Specified and shipped separately.
Exposed Dimension	Standard: 0.6" (16 mm) Long: 0.9" (23 mm)
Ambient Operating Temperature	-13 °F to 140 °F (-25 °C to 60 °C)
Weight	1.8 lbs (0.8 kg)

Certification & Compliance

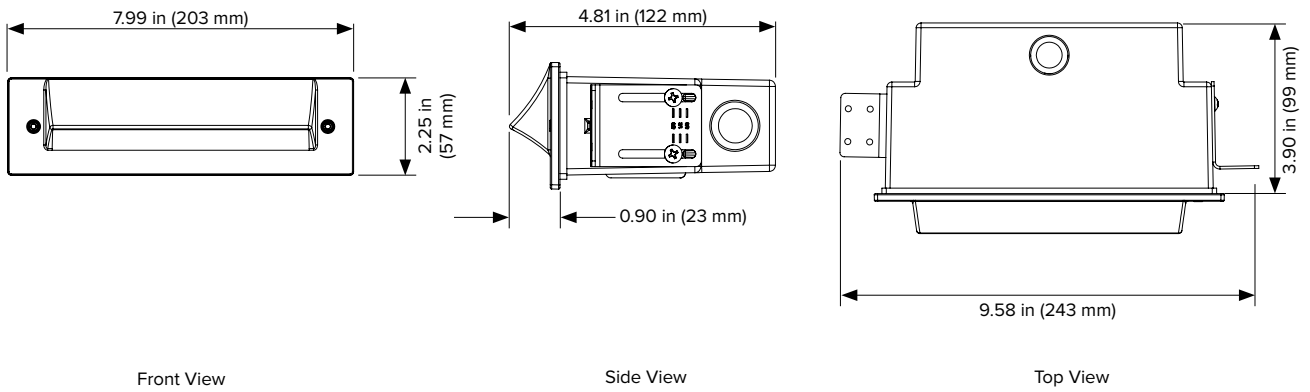
IP Rating	IP66
IK Rating	IK9
Environment	Dry, Damp, Wet locations
Certifications	UL, UL-NOM (3 W Only), CE, RCM, FCC
BUG Ratings	ST (Shield) and FG (Optic) B0-U3-G3 ST (Shield) and PW (Optic) B0-U2-G3 LS (Shield) and FG (Optic) B0-U3-G2 LS (Shield) and PW (Optic) B0-U2-G2

Dimensions

Standard Shield

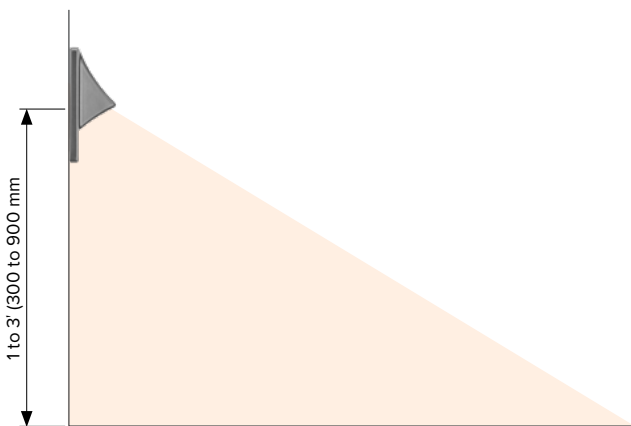


Long Shield

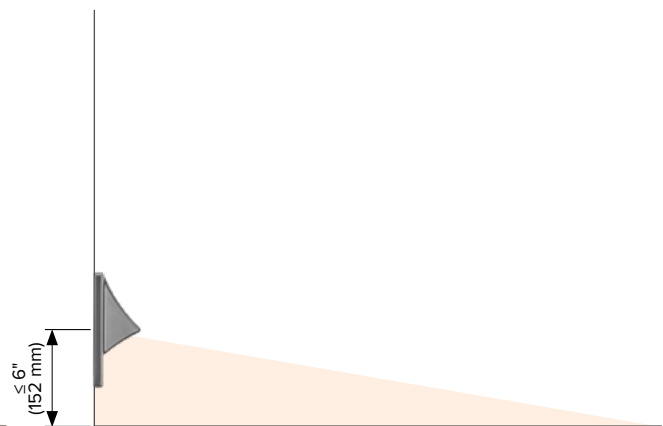


Optics Packages

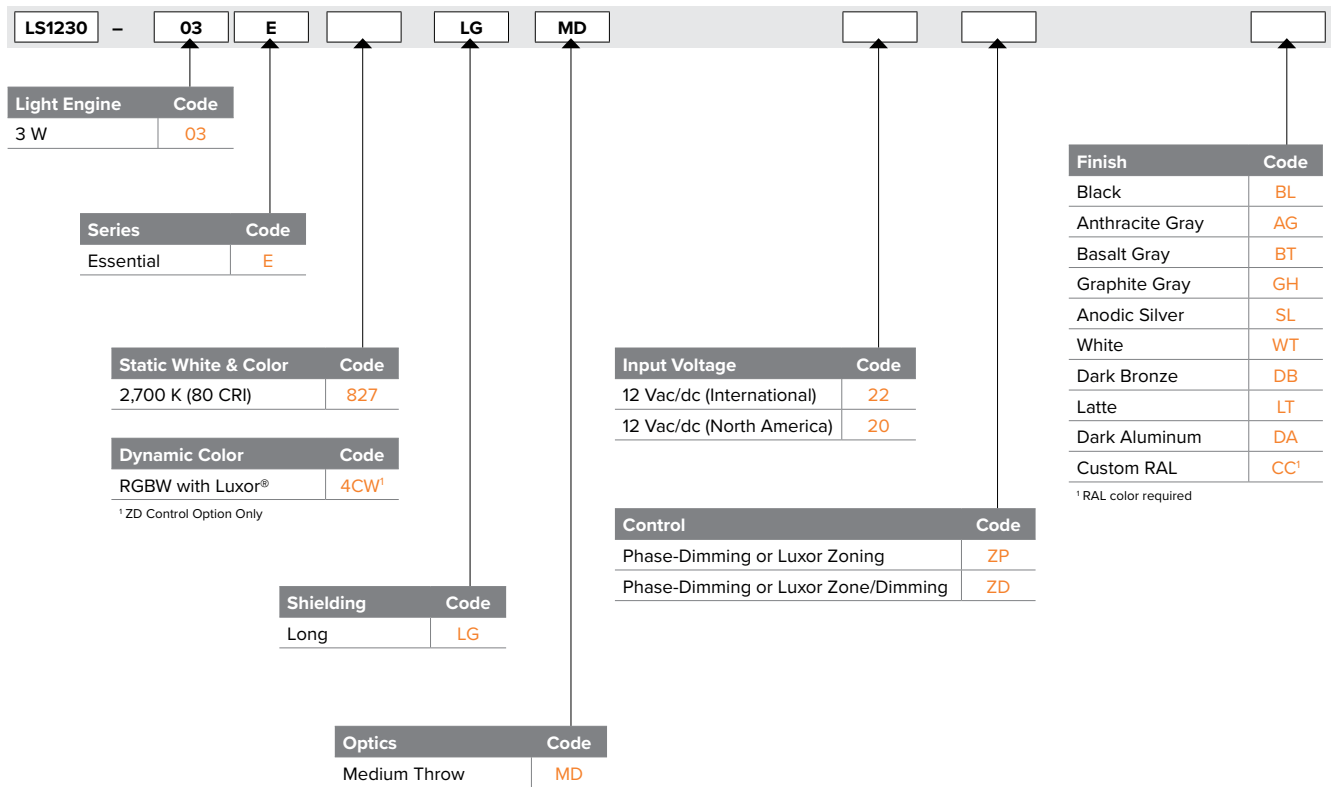
Performance Wash



Floor Graze



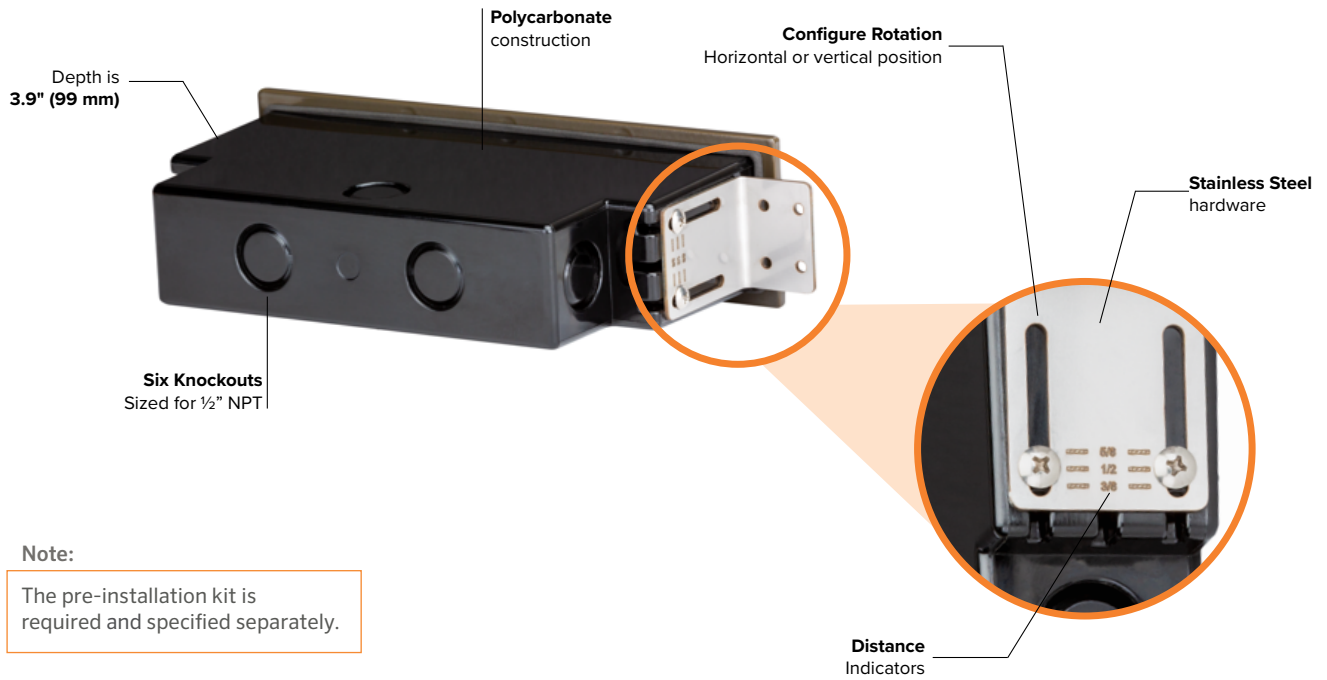
Specification Matrix - Low Voltage 12 Vac/dc



Accessories

Mounting Kit

Used for mounting the Bezel BZ2 step light into a wall during pre-installation.



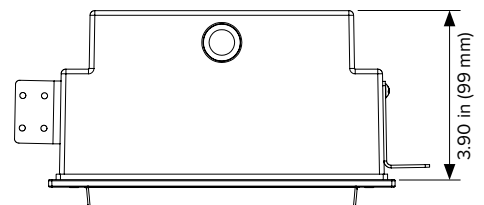
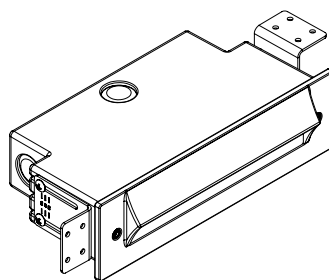
Note:

The pre-installation kit is required and specified separately.

Specification Matrix

	LS6331
Mounting	Code
Pre-Install Kit	LS6331

Technical Drawings



Height and Spacing Matrix

Optic: Floor Graze | Output: 5 W

Mounting Height*	6' (1.8 m) Spacing				8' (2.4 m) Spacing				10' (3.0 m) Spacing				12' (3.6 m) Spacing			
	Min	Ave	Ave/Min	Max/Min	Min	Ave	Ave/Min	Max/Min	Min	Ave	Ave/Min	Max/Min	Min	Ave	Ave/Min	Max/Min
2" (50 mm)	0.7 fc (8 lx)	4.7 fc (51 lx)	6.5	21.3	0.5 fc (5 lx)	3.5 fc (38 lx)	6.9	30.0	0.1 fc (1 lx)	3.4 fc (37 lx)	28.3	127.5	0.1 fc (1 lx)	2.4 fc (26 lx)	33.6	218.6
3" (75 mm)	1.1 fc (12 lx)	5.4 fc (58 lx)	5.0	16.5	0.7 fc (8 lx)	4.1 fc (44 lx)	5.6	24.2	0.2 fc (2 lx)	3.9 fc (42 lx)	21.4	97.7	0.1 fc (1 lx)	2.7 fc (29 lx)	24.6	159.6
4" (100 mm)	1.4 fc (15 lx)	5.6 fc (60 lx)	3.9	12.6	0.9 fc (10 lx)	4.2 fc (45 lx)	4.6	19.3	0.3 fc (3 lx)	4.0 fc (43 lx)	15.8	70.6	0.2 fc (2 lx)	2.8 fc (30 lx)	18.9	117.5
6" (150 mm)	1.7 fc (18 lx)	5.2 fc (56 lx)	3.0	5.6	1.0 fc (11 lx)	3.9 fc (42 lx)	3.7	9.1	0.4 fc (4 lx)	3.5 fc (38 lx)	10.1	26.6	0.2 fc (2 lx)	2.6 fc (28 lx)	11.8	42.2

.IES file name: LS123005D840STFG09PDWT

Optic: Floor Graze | Output: 10 W

Mounting Height*	6' (1.8 m) Spacing				8' (2.4 m) Spacing				10' (3.0 m) Spacing				12' (3.6 m) Spacing			
	Min	Ave	Ave/Min	Max/Min	Min	Ave	Ave/Min	Max/Min	Min	Ave	Ave/Min	Max/Min	Min	Ave	Ave/Min	Max/Min
2" (50 mm)	0.9 fc (10 lx)	5.0 fc (54 lx)	5.4	16.6	0.5 fc (5 lx)	3.8 fc (41 lx)	6.9	28.0	0.1 fc (1 lx)	3.6 fc (39 lx)	25.6	107.7	0.1 fc (1 lx)	2.5 fc (27 lx)	15.1	27.8
3" (75 mm)	1.3 fc (14 lx)	5.4 fc (58 lx)	4.0	11.5	0.8 fc (9 lx)	4.1 fc (44 lx)	5.3	19.7	0.2 fc (2 lx)	3.8 fc (41 lx)	17.4	68.7	0.1 fc (1 lx)	2.7 fc (29 lx)	20.9	116.1
4" (100 mm)	1.4 fc (15 lx)	5.6 fc (60 lx)	3.9	12.6	1.0 fc (11 lx)	4.2 fc (45 lx)	4.6	19.3	0.3 fc (3 lx)	4.0 fc (43 lx)	15.8	70.6	0.2 fc (2 lx)	2.8 fc (30 lx)	18.9	117.5
6" (150 mm)	1.7 fc (18 lx)	5.2 fc (56 lx)	3.0	5.6	1.0 fc (11 lx)	3.9 fc (42 lx)	3.7	9.1	0.4 fc (4 lx)	3.5 fc (38 lx)	10.1	26.6	0.2 fc (2 lx)	2.6 fc (28 lx)	11.8	42.2

.IES file name: LS123010D840STFG09PDWT

Optic: Performance Wash | Output: 5 W

Mounting Height*	6' (1.8 m) Spacing				8' (2.4 m) Spacing				10' (3.0 m) Spacing				12' (3.6 m) Spacing			
	Min	Ave	Ave/Min	Max/Min	Min	Ave	Ave/Min	Max/Min	Min	Ave	Ave/Min	Max/Min	Min	Ave	Ave/Min	Max/Min
10" (250 mm)	1.2 fc (13 lx)	8.2 fc (88 lx)	6.9	18.6	0.7 fc (8 lx)	6.1 fc (66 lx)	9.2	32.1	0.2 fc (2 lx)	5.6 fc (60 lx)	32.9	126.4	0.1 fc (1 lx)	4.1 fc (44 lx)	34.3	178.8
12" (300 mm)	1.3 fc (14 lx)	7.7 fc (83 lx)	6.1	14.1	0.7 fc (8 lx)	5.8 fc (62 lx)	7.9	23.8	0.2 fc (2 lx)	5.2 fc (56 lx)	25.9	86.7	0.1 fc (1 lx)	3.9 fc (42 lx)	17.3	27.7
18" (450 mm)	1.3 fc (14 lx)	6.5 fc (70 lx)	5.1	7.7	0.8 fc (9 lx)	4.9 fc (53 lx)	6.3	11.8	0.3 fc (3 lx)	4.2 fc (45 lx)	14.1	30.2	0.2 fc (2 lx)	3.3 fc (36 lx)	16.6	45.2
24" (600 mm)	1.2 fc (13 lx)	5.2 fc (56 lx)	4.4	6.2	0.8 fc (9 lx)	3.9 fc (42 lx)	5.2	7.8	0.4 fc (4 lx)	3.3 fc (36 lx)	9.3	15.7	0.2 fc (2 lx)	2.6 fc (28 lx)	11.0	22.5
30" (750 mm)	0.9 fc (10 lx)	4.0 fc (43 lx)	4.5	6.4	0.6 fc (6 lx)	3.1 fc (33 lx)	5.0	7.1	0.4 fc (4 lx)	2.5 fc (27 lx)	7.2	10.6	0.3 fc (3 lx)	2.1 fc (23 lx)	8.3	14.0
36" (900 mm)	0.9 fc (10 lx)	3.2 fc (34 lx)	3.7	5.6	0.6 fc (6 lx)	2.4 fc (26 lx)	4.2	6.2	0.3 fc (3 lx)	2.0 fc (22 lx)	5.9	8.8	0.3 fc (3 lx)	1.7 fc (18 lx)	6.4	10.3

.IES file name: LS123005D840STPW09PDWT

Optic: Performance Wash | Output: 10 W

Mounting Height*	6' (1.8 m) Spacing				8' (2.4 m) Spacing				10' (3.0 m) Spacing				12' (3.6 m) Spacing			
	Min	Ave	Ave/Min	Max/Min	Min	Ave	Ave/Min	Max/Min	Min	Ave	Ave/Min	Max/Min	Min	Ave	Ave/Min	Max/Min
10" (250 mm)	2.7 fc (29 lx)	12.8 fc (138 lx)	4.8	10.8	1.5 fc (16 lx)	9.6 fc (103 lx)	6.5	19.5	0.3 fc (3 lx)	8.9 fc (96 lx)	29.7	95.6	0.2 fc (2 lx)	6.4 fc (69 lx)	33.8	150.8
12" (300 mm)	2.8 fc (30 lx)	11.5 fc (124 lx)	4.1	8.1	1.6 fc (17 lx)	8.6 fc (93 lx)	5.5	13.8	0.4 fc (4 lx)	7.8 fc (84 lx)	21.7	59.8	0.2 fc (2 lx)	5.8 fc (62 lx)	25.1	93.3
18" (450 mm)	2.6 fc (28 lx)	9.5 fc (102 lx)	3.6	6.1	1.5 fc (16 lx)	7.2 fc (78 lx)	4.6	9.5	0.5 fc (5 lx)	6.1 fc (66 lx)	13.0	30.3	0.3 fc (3 lx)	4.8 fc (52 lx)	15.5	45.6
24" (600 mm)	1.9 fc (20 lx)	7.9 fc (85 lx)	4.2	6.0	1.2 fc (13 lx)	6.0 fc (65 lx)	5.0	7.6	0.5 fc (5 lx)	5.0 fc (54 lx)	9.3	16.0	0.4 fc (4 lx)	4.1 fc (44 lx)	11.3	23.7
30" (750 mm)	1.4 fc (15 lx)	6.2 fc (67 lx)	4.4	6.5	1.0 fc (11 lx)	4.7 fc (51 lx)	4.9	7.2	0.5 fc (5 lx)	3.9 fc (42 lx)	7.3	11.3	0.4 fc (4 lx)	3.2 fc (34 lx)	8.6	15.2
36" (900 mm)	1.1 fc (12 lx)	4.8 fc (52 lx)	4.4	6.9	0.8 fc (9 lx)	3.7 fc (40 lx)	4.7	7.2	0.5 fc (5 lx)	3.0 fc (32 lx)	5.8	9.0	0.4 fc (4 lx)	2.5 fc (27 lx)	6.8	11.4

.IES file name: LS123010D840STPW09PDWT

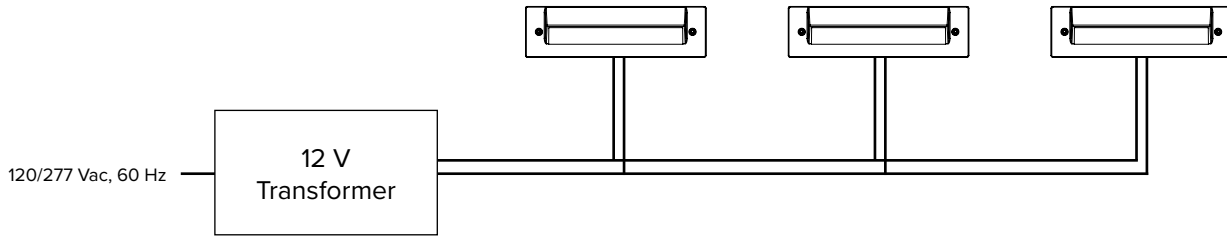
Assumptions:

Shield:	Standard
Pathway length:	24' (7.3 m)
Pathway width:	8' (2.4 m)
Point spacing:	2.0' x 1.3' (0.6 x 0.4 m)
Spacing:	On Center
*Mounting Height:	Center of luminous opening



lumascap.com/spacing

Network Topology - Low Voltage 12 Vac/dc



Power Supply Requirements

Maximum Number of Luminaires per Power Supply				
Power	Power Supply Capacity			
	50 W	100 W	150 W	300 W
3 W (White Color)	12	25	37	75
3 W (RGBW)	-	-	-	34

Voltage Drop Calculation Table

Maximum Number of Luminaires (Single Run)							
Power	Voltage at Tap	Wire Gauge	Total Length				
			100' (30 m)	200' (60 m)	300' (90 m)	400' (120 m)	500' (150 m)
3 W (White Color)	15 V	10 AWG (6 mm ²)	68	38	22	17	13
		12 AWG (4 mm ²)	46	23	15	11	9
		14 AWG (2.5 mm ²)	29	14	9	7	5
3 W (RGBW)	15 V	10 AWG (6 mm ²)	30	15	10	7	6
		12 AWG (4 mm ²)	20	10	6	5	4
		14 AWG (2.5 mm ²)	13	6	4	3	2

Luminaire Wire Colours & Designations

Line Voltage 220-240 Vac - International

Designation	Color
Active	Brown
Neutral	Blue
Earth	Green / Yellow
0-10 V +	Purple
0-10 V -	Grey

Line Voltage 120/277 Vac - North America

Designation	Color
Active	Black
Neutral	White
Earth	Green
0-10 V +	Purple
0-10 V -	Pink or Grey

Low Voltage 12 Vac/dc - International

Designation	Color
+ or AC1	Black
- or AC2	Black

Low Voltage 12 Vac/dc - North America

Designation	Color
+ or AC1	Black
- or AC2	Black