



A compact, surface mounted fountain light designed for high-performance applications. Constructed from high pressure die-cast copper alloy and high-strength polymer. The Star ST1 represents the next generation of compact fountain lighting, with higher power options and more control, including d5 driver technology for advanced dimming, as well as high-resolution color-changing options.



Performance

Static White & Color ¹	Lumen Output (lm)	Efficacy (lm/W)	Peak Intensity (cd)
● 2,700 K (80 CRI)	750	69	4,900
● 3,000 K (80 CRI)	779	72	5,090
● 4,000 K (80 CRI)	838	77	5,474
● Blue (470nm)	–	–	–

¹ Static white lumen output values are based on a 9 W luminaire with 20° lens.

Dynamic Color ²	Lumen Output (lm)	Efficacy (lm/W)	Peak Intensity (cd)
● RGB	–	–	–

² Dynamic Color lumen output values are based on a 9 W luminaire with 20° lens.

Beam Angles	20°, 25°, 40° ³
-------------	----------------------------

³ Not available for RGB



Electrical

LED Power	6 W or 9 W	
Power Consumption	10.8 W (nominal for 9 W)	
Lifetime	> 60,000 hrs (L70, B10)	
Input Voltage	Low Voltage	24 Vdc (International) 12-15 Vac, 12-24 Vdc (North America)

Control

Protocols¹	PWM (0-10 V to PWM and DMX to PWM converters available)
------------------------------	---

¹ For other protocols contact Lumascope for more information.

Physical

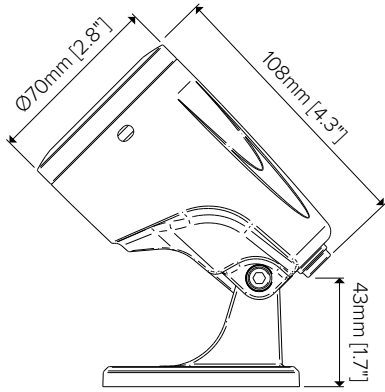
Housing	Die-cast copper-alloy and high strength polymer
Installation	Surface-mounted
Water Temperature Rating	41 °F to 104 °F (5 °C to 40 °C)
Ambient Operating Temperature²	41 °F to 104 °F (5 °C to 40 °C) – 6 W only

² 9 W not suitable for operating out of water.

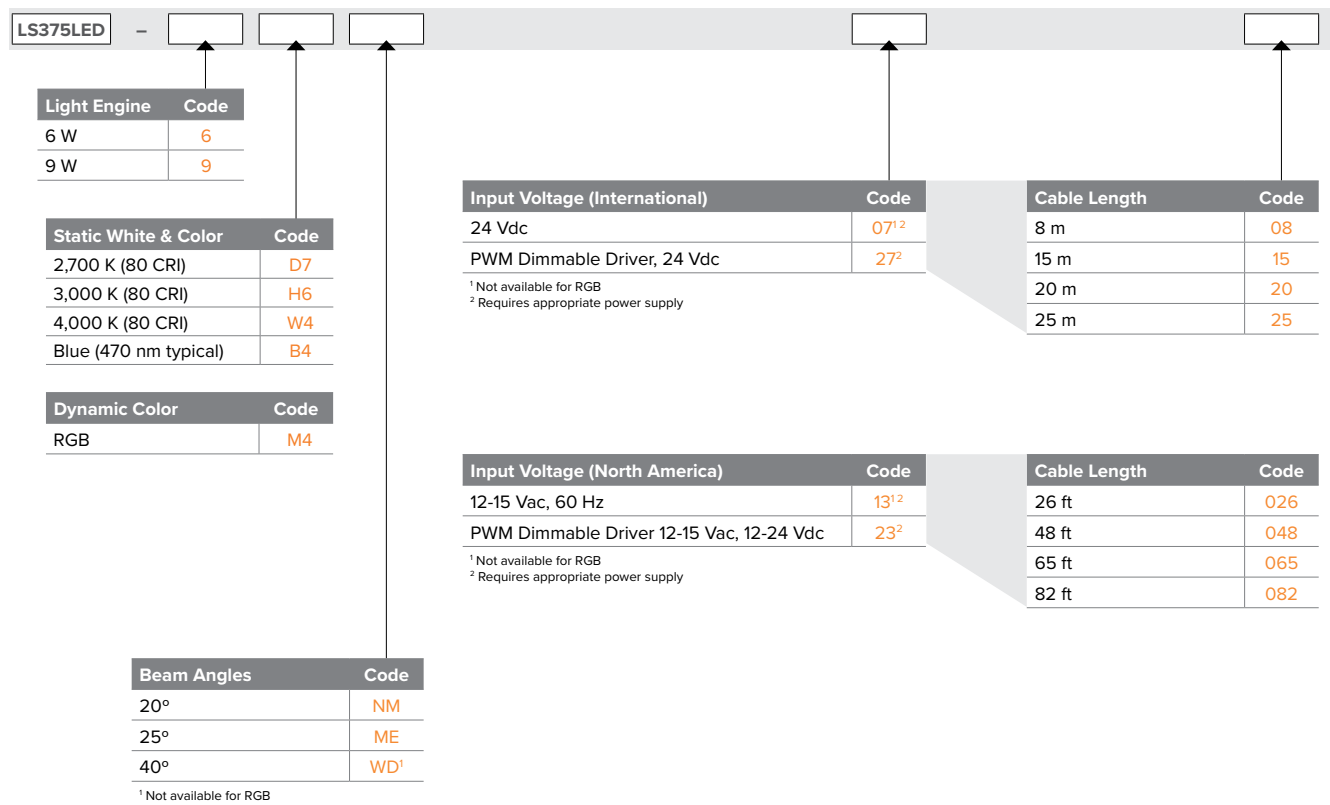
Certification & Compliance

IP Rating	IP68 to 33 ft (10 m)
Environment	Submersible (fountains only)
Certifications	ETL, CE

Technical Drawings

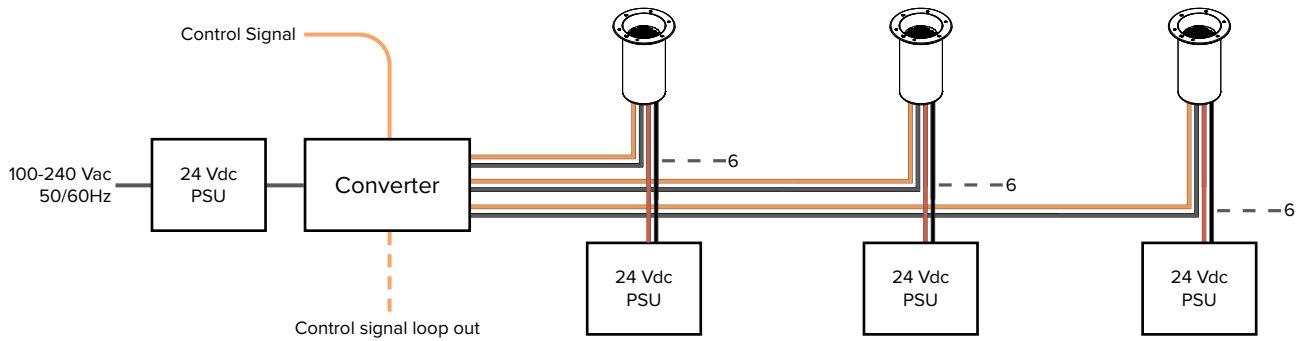


Specification Matrix



Network Topology – Static Color (DMX)

International Market



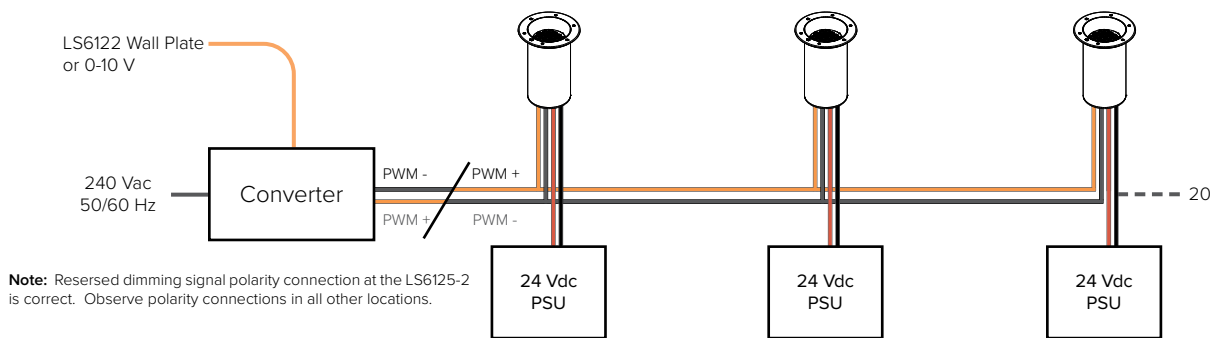
Up to 6 luminaires per run under the following conditions:

- Up to three (3) individually addressed dimmable channels
- Up to 6 luminaires per dimmable channel
- Luminaires driven by integral LED drivers
- Luminaires powered through individual power supplies or
- Luminaires powered through LS67100 PWM controller only (up to 100W total)
- Refer to 'Maximum Circuit Load' table for circuit limitations
- Always observe local electrical codes for branch circuit current limitations

Control Protocols

DMX For DMX control signal, use LS67100 DMX to PWM converter

Network Topology – Static Color (0-10 V)



Up to 20 luminaires per run under the following conditions:

- Stand alone static colour dimming solution
- Up to 20 luminaires dimmed together
- Luminaires driven by integral LED drivers using LS6122 wall plate dimmer
- Luminaires powered through individual or shared power supplies
- Refer to 'Maximum Circuit Load' table for circuit limitations
- Always observe local electrical codes for branch circuit current limitations

Control Protocols

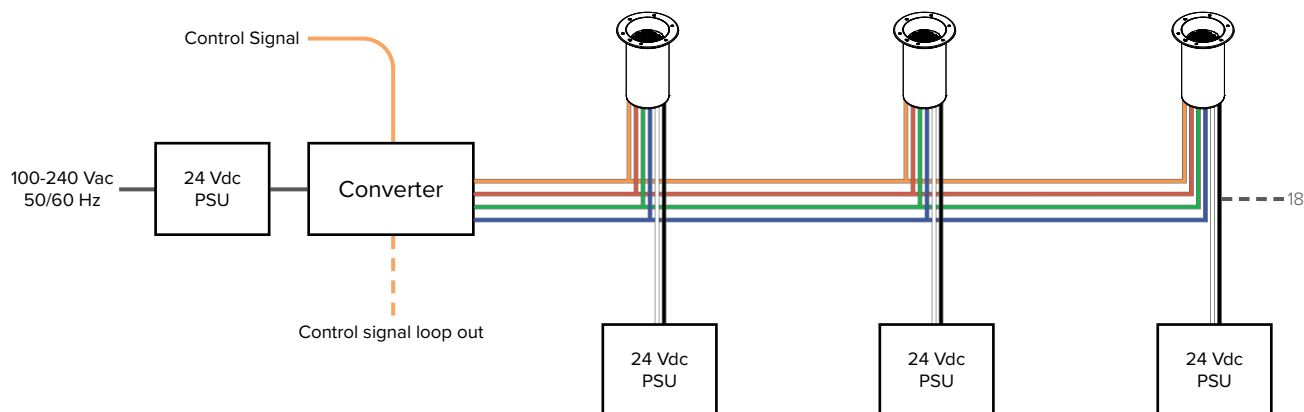
0-10 V For 0-10 V control signal, use LS6125-2, 0-10 V to PWM Converter.

Maximum Circuit Load

LSLED-24V Power Supplies						
100-240 Va, 50/60 Hz						
Input Voltage	24 Vdc					
Output Voltage	24 Vdc					
Wattage	40 W	120 W	240 W	320 W	480 W	600 W
LS375LED, 3 W	7	22	45	60	90	113
LS375LED, 6W	3	11	22	30	45	56
LS375LED, 9W	2	8	16	22	33	42

Network Topology – Dynamic Color (DMX/DALI)

International Market



Up to 18 luminaires per run under the following conditions:

- Up to 18 luminaires addressed and controlled together
- Luminaires driven by integral LED drivers
- Luminaires powered through individual power supplies or
- Luminaires powered through LS67100 PWM controller only
- Refer to 'Maximum Circuit Load' table for circuit limitations
- Always observe local electrical codes for branch circuit current limitations

Control Protocols

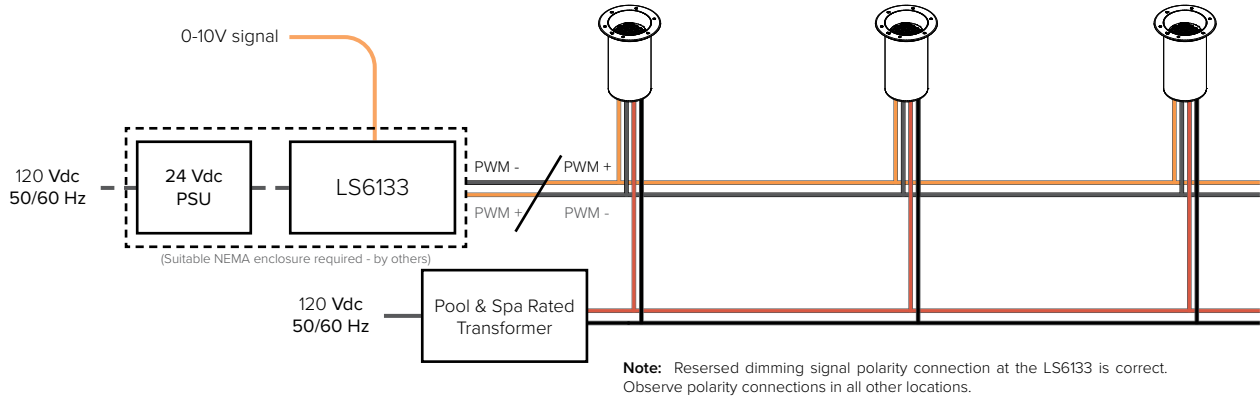
DMX For DMX control signal, use LS67100 DMX to PWM converter

Maximum Circuit Load

LSLED-24V Power Supplies						
Input Voltage	100-240 Va, 50/60 Hz					
Output Voltage	24 Vdc					
Wattage	40 W	120 W	240 W	320 W	480 W	600 W
LS375LED, 3 W	7	22	45	60	90	113
LS375LED, 6W	3	11	22	30	45	56
LS375LED, 9W	2	8	16	22	33	42

Network Topology – Static Color (0-10 V)

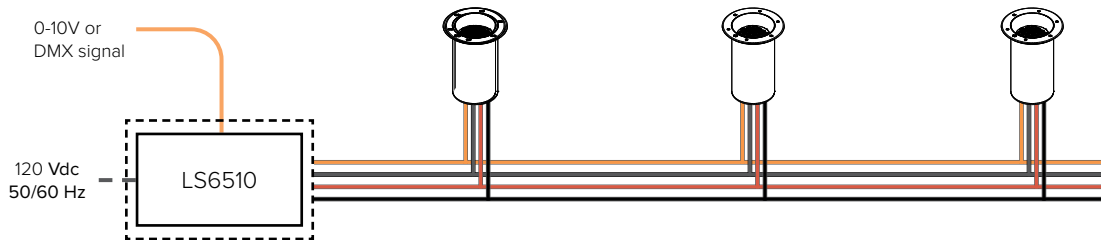
North America Market



Control Protocols

0-10 V For 0-10 V control signal, use LS6133 0-10 V to PWM converter.

Network Topology – Static Color (0-10 V / DMX)



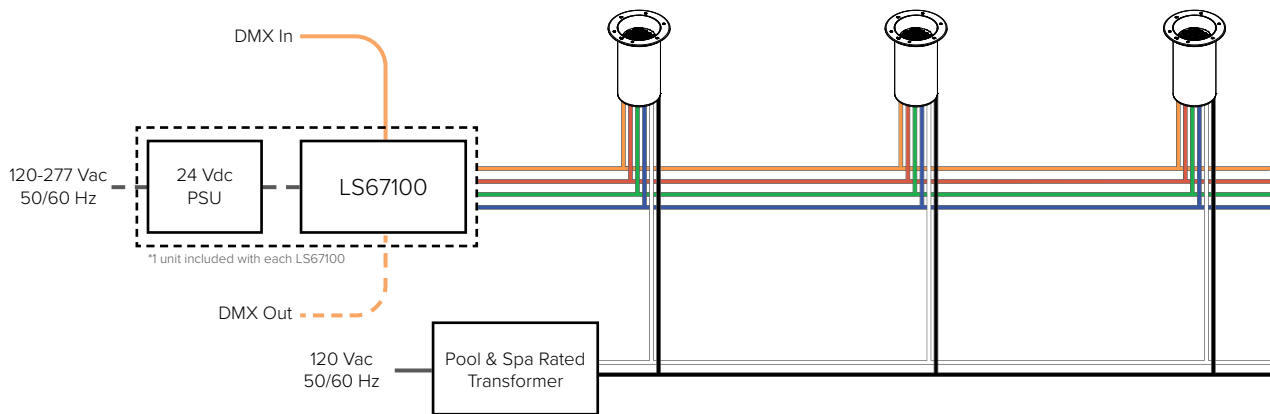
Control Protocols

0-10 V For 0-10 V control signal, use LS6133 0-10 V to PWM converter.

DMX For DMX control signal, use LS6510 converter.

Maximum Circuit Load

POOL, SPA & FOUNTAIN POWER SUPPLY							
Input Voltage	120 Vac, 60 Hz						
Output Voltage	12/13/14 Vac, 60 Hz			24 Vdc			
	LS-EL-150	PROLINK 300	PROLINK 600	LS6510		LS6520	
Wattage	150 W	300 W	600 W	240 W	320 W	120 W	240 W
LS375LED, 3 W	28	56	113	45	60	22	45
LS375LED, 6 W	14	28	56	22	30	11	22
LS375LED, 9 W	10	21	42	16	22	16	8



Maximum Circuit Load

LSLED-24V Power Supplies						
Input Voltage	100-240 Va, 50/60 Hz					
Output Voltage	24 Vdc					
Wattage	40 W	120 W	240 W	320 W	480 W	600 W
LS375LED, 3 W	7	22	45	60	90	113
LS375LED, 6W	3	11	22	30	45	56
LS375LED, 9W	2	8	16	22	33	42

Control Protocols

DMX For DMX control signal, use LS67100 DMX to PWM converter