



A compact, adjustable, direct or indirect accent used for grazing walls or other accent illumination tasks. The Pagoda PA1 is constructed from marine-grade 316 stainless steel with an **ElectroPolish+**™ surface treatment to provide long-life even in coastal environments. This luminaire features Lumascope's d5 driver technology for advanced dimming and control options.



### Performance

Static White & Color <sup>1</sup>	Lumen Output (lm)	Efficacy (lm/W)	Peak Intensity (cd)
● 2,700 K (80 CRI)	–	–	–
● 3,000 K (80 CRI)	540	72	7,200
● 4,000 K (80 CRI)	556	75	7,400
● Blue	–	–	–

<sup>1</sup> Static white lumen output values are based on 6 W with 14° lens

<b>Beam Angles</b>	14°, 25°, 30°, 40°
--------------------	--------------------

### Electrical

<b>LED Power</b>	6 W
<b>Power Consumption</b>	7.5 W maximum
<b>Input Voltage</b>	Low Voltage 24 Vdc

### Control

<b>Protocols</b>	PWM (0-10 V to PWM, DMX to PWM and DALI to PWM converters available)
------------------	--

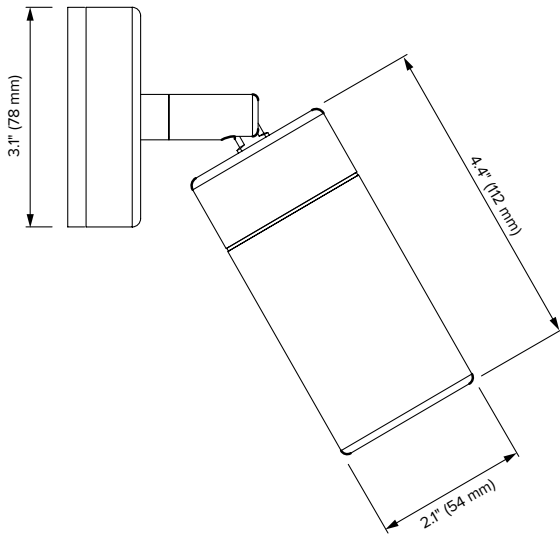
### Physical

<b>Housing</b>	Polished copper or powder-coated aluminium
<b>Installation</b>	Wall-mount
<b>Ambient Operating Temperature</b>	-14 °F to 104 °F (-10 °C to 40 °C)
<b>Surface Temperature</b>	≤149 °F (65 °C) <b>HumanTouch</b> ™ compliant

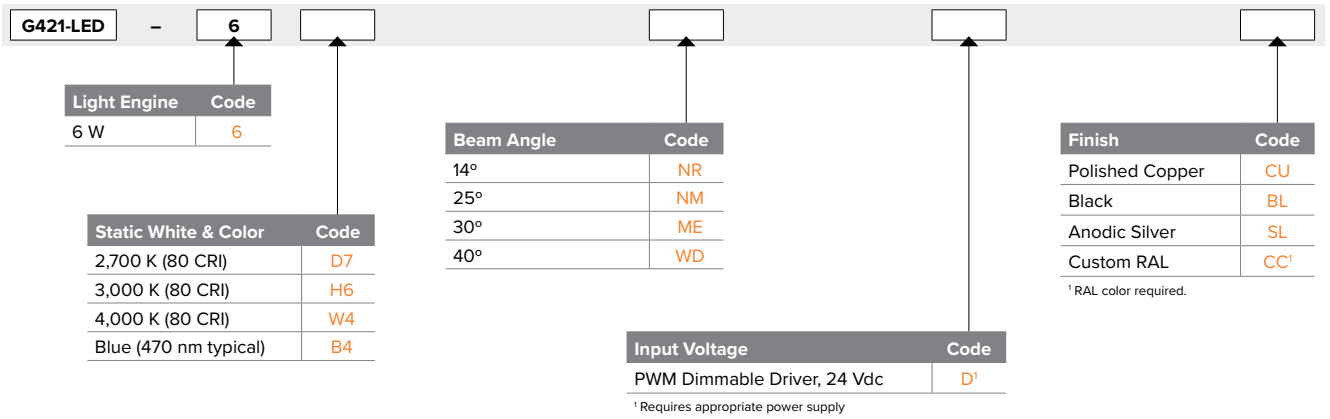
### Certification & Compliance

<b>IP Rating</b>	IP65
<b>Certifications</b>	CE, RCM

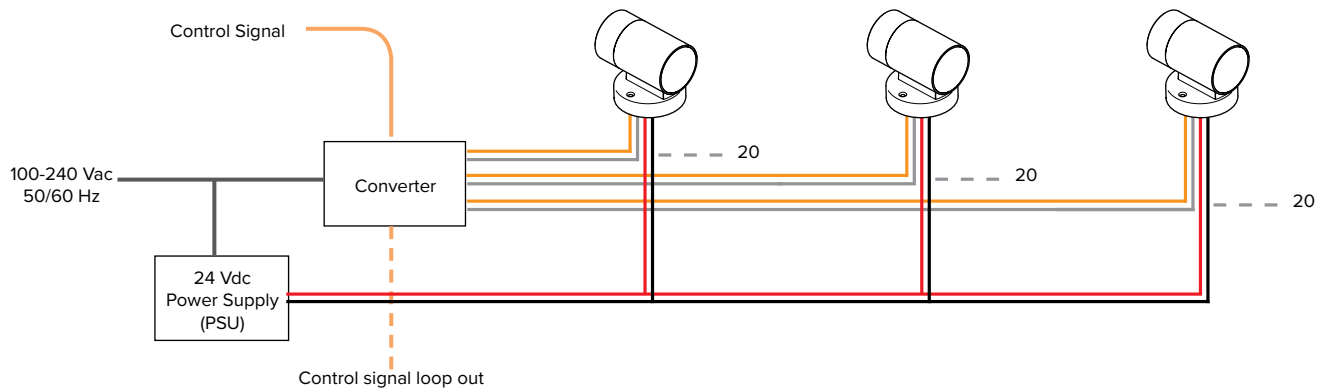
Dimensions



Specification Matrix



**Network Topology – Static Color (DMX/DALI)**



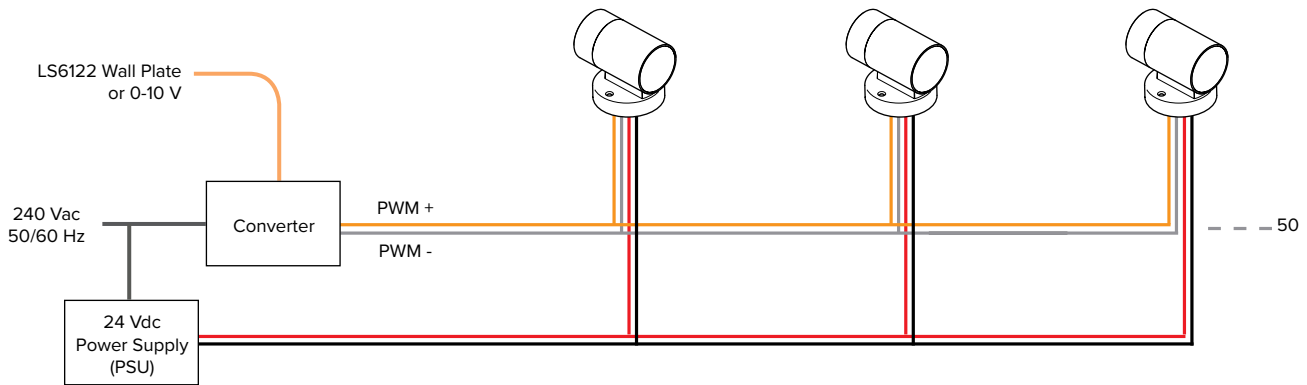
**Up to 20 luminaires per run under the following conditions:**

- Up to three (3) individually addressed dimmable channels
- Up to 20 luminaires per dimmable channel
- Luminaires driven by integral LED drivers
- Luminaires powered through individual power supplies or
- Luminaires powered through LS67100 PWM controller only (up to 100W total)
- Refer to 'Maximum Circuit Load' table for circuit limitations
- Always observe local electrical codes for branch circuit current limitations

**Control Protocols**

- DMX** For DMX control signal, use LS67100 DMX to PWM converter
- DALI** For DALI control signal, use LSLED-RGBDIM-DALI converter

**Network Topology – Static Color (0-10 V)**



**Note:**

Reversed dimming signal polarity connection at the LS6125-2 is correct. Observe polarity connections in all other locations.

**Up to 50 luminaires per run under the following conditions:**

- Stand-alone static color-dimming solution
- Up to 50 luminaires per dimmable channel
- Luminaires driven by integral LED drivers using LS6122 wall plate option
- Luminaires powered through individual or shared power supplies
- Refer to 'Maximum Circuit Load' table for circuit limitations
- Always observe local electrical codes for branch circuit current limitations

**Control Protocols**

- 0-10 V** For 0-10 V control signal, use LS6125-2 0-10 V to PWM converter

**Maximum Circuit Load**

	LSLED40W	LSLED120W	LSLED240W	LSLED320W	LSLED480W	LSLED600W
Output Voltage	24 Vdc	24 Vdc	24 Vdc	24 Vdc	24 Vdc	24 Vdc
Wattage	40 W	120 W	240 W	320 W	480 W	600 W
G421-LED, 6 W	3	11	22	30	45	56