



A powerful LED fixture with exceptional light output and is available in a wide variety of optical configurations including narrow spot and bi-symmetrical distributions. The luminaire has a wide variety of colour temperatures and is constructed from cast brass ideally suited for the underwater environment. Lighting professionals now have greater creative flexibility with the choice of a designer lens option, which provides superb color-over-angle consistency and blending of colors even at close blending distances. Standard LED options are also available for exceptional reach.

### Performance

Static White & Color <sup>1</sup>	Lumen Output (lm)	Efficacy (lm/W)	Peak Intensity (cd)
● 2,700 K (80 CRI)	6,980	91	127,401
● 3,000 K (80 CRI)	7,301	91	127,401
○ 3,500 K (80 CRI)	7,702	99	138,726
● 4,000 K (80 CRI)	8,023	102	149,986
● 5,000 K (70 CRI)	9,467	110	161,750
● Red	–	–	–
● Green	–	–	–
● Blue	–	–	–

<sup>1</sup> Static white lumen output values are based on a 10° standard lens.

Dynamic Color <sup>2</sup>	Lumen Output (lm)	Efficacy (lm/W)	Peak Intensity (cd)
● RGBA	–	–	–
● RGBW	4,413	–	–
● RGBW with Royal Blue	–	–	–

<sup>2</sup> Dynamic color lumen output values based on an 6° designer lens.

Tunable White	Lumen Output (lm)	Efficacy (lm/W)	Peak Intensity (cd)
● 2,700 K - 6,500 K	–	–	–

Beam Angles	6°, 15°, 30°, 45°, 60° x 10°, 40° x 10°, 40° x 20°, 60° x 20°
-------------	---

**Electrical**

<b>LED Power</b>	76 W
<b>Power Consumption</b>	≤ 80 W maximum
<b>Lifetime (L70)</b>	> 60,000 hrs (B10, L70, TM21)
<b>Input Voltage</b>	Low Voltage          30 Vdc
<b>Thermal Management</b>	<b>CoolDrive™</b> onboard thermal monitoring and control

**Controls**

<b>Interface</b>	Lumascap <b>PowerSync™</b>
<b>Protocols<sup>1</sup></b>	DMX/RDM, Artnet, PWM <sup>2</sup> 0-10 V (sink or source) <sup>2</sup> , Phase-Dimming <sup>2</sup>
<b>PWM Frequency</b>	2 kHz flicker-free dimming to 0.1%
<b>Systems</b>	Range of third-party controllers

<sup>1</sup> Some protocols require additional hardware. For details and other available protocols contact Lumascap.

<sup>2</sup> Not available for color-changing or tunable white.

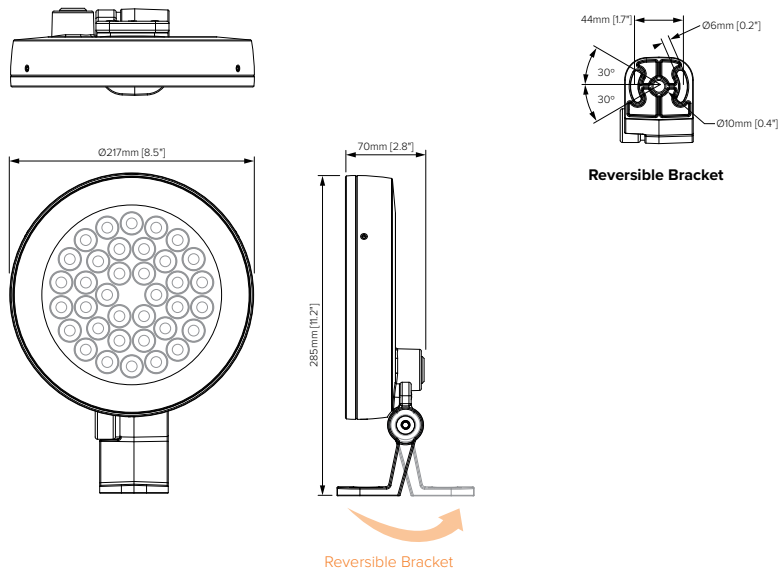
**Physical**

<b>Housing</b>	Die-cast brass with tempered glass lens, stainless steel fasteners and constant torque adjustable mounting bracket (lockable and reversible)
<b>Finish</b>	Natural brass and black epoxy top coat
<b>Installation</b>	Surface-mounted
<b>Adjustable</b>	Constant torque adjustable mounting bracket (lockable and reversible)
<b>Ambient Operating Temperature</b>	-4 °F to 104 °F (-20 °C to 40 °C)
<b>Water Temperature Rating</b>	41 °F to 104 °F (5 °C to 40 °C)
<b>Surface Temperature</b>	≤138 °F (59 °C)
<b>Weight</b>	14.5 lbs (6.5 kg)

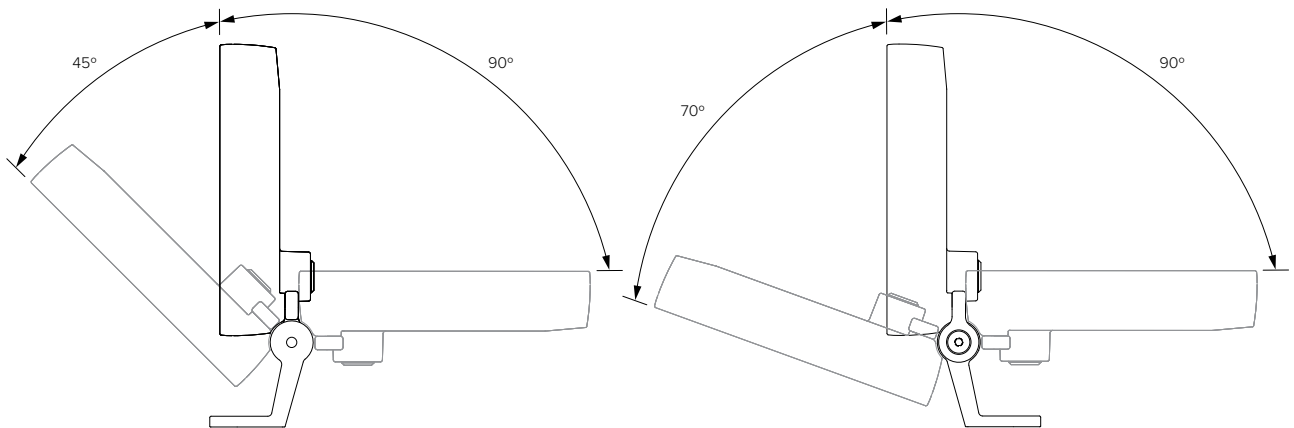
**Certification & Compliance**

<b>IP Rating</b>	IP68 to 6 ft (1.8 m)
<b>IK Rating</b>	IK9
<b>Environment</b>	Submersible (Fountain / Water feature only)
<b>Certifications</b>	ETL, CE, RCM

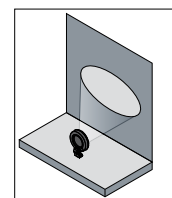
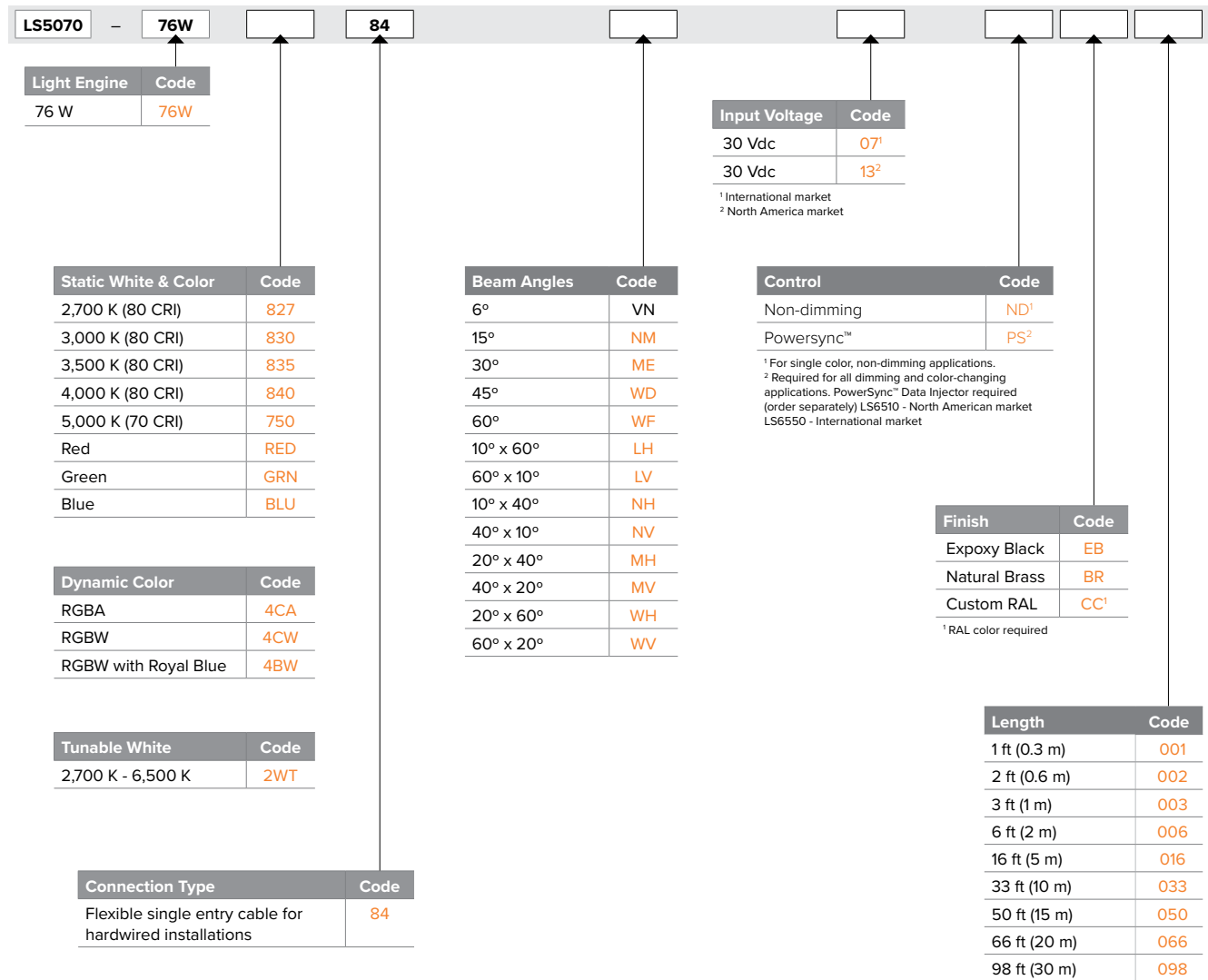
Dimensions



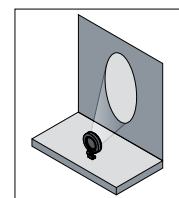
Luminaire Rotation



Specification Matrix



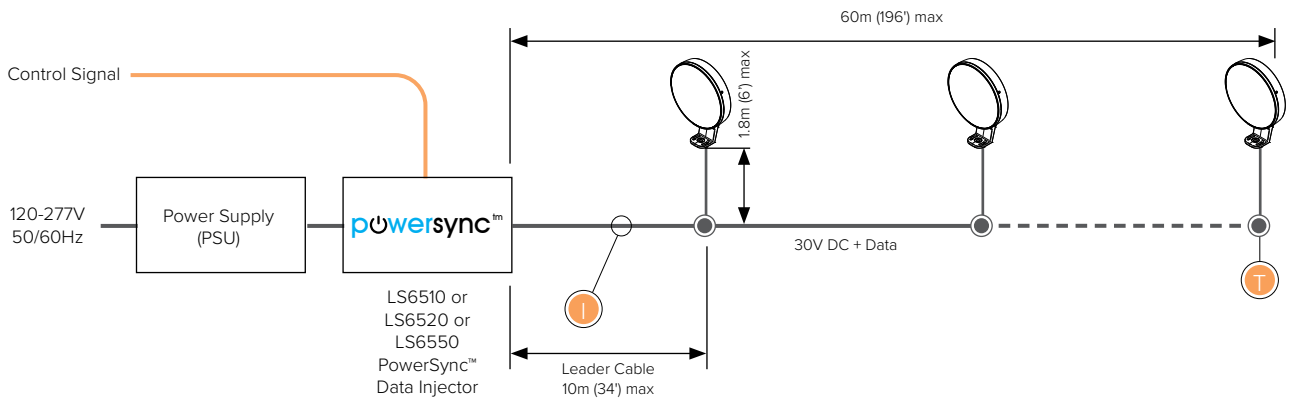
Beam Orientation for the "LH", "NH", "MH" and "WH" optical system



Beam Orientation for the "LV", "NV", "MV" and "WV" optical system

Network Topology – Dimmable and Color-Changing via PowerSync™

International Market



Up to 3 luminaires per run under the following conditions:

- Maximum total cable run length 196 ft (60 m) in up to two trunk cables
- Refer to 'Transformer Compatability Table' table for maximum number of luminaires.
- Always observe local electrical codes for branch circuit current limitations

Transformer Compatability Table

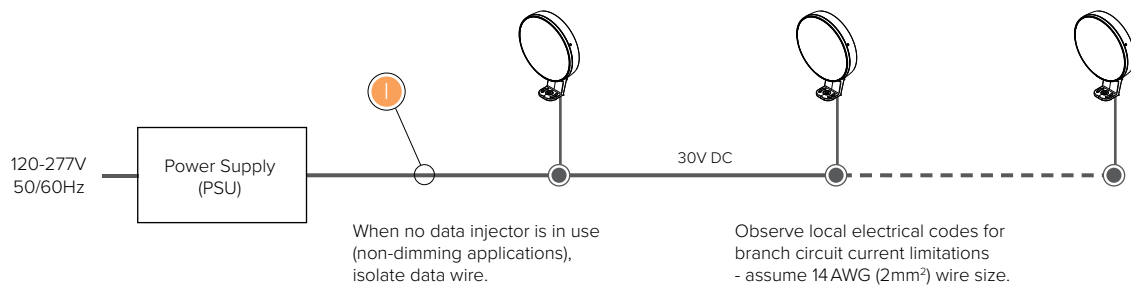
Maximum Number of Luminaires	
PSU Power	Luminaire Power (32 W)
120 W	1
240 W	2
320 W	3

Refer to PowerSync™ installation instructions for maximum distance information and typology options. For non-continuous runs contact Lumascope for details.

- T Terminator**  
Use PowerSync™ terminator, supplied with leader cable to terminate last luminaire in chain.
- I Maximum Current**  
Maximum current through cables and connectors supplied by Lumascope:  
≤12.8 A – Installations in North American Market (UL, ETL)  
≤16 A – Installations in International Market (CE, CCC)
- Connection Type**  
Circuits can be configured as either connectorized or hardwired. For details refer to installation instructions and comply with local electrical codes.

Network Topology – Non-Dimmable

International Market



Up to 3 luminaires per run under the following conditions:

- Refer to 'Transformer Compatibility Table' table for maximum number of luminaires
- Always observe local electrical codes for branch circuit current limitations



**Maximum Current**

Maximum current through cables and connectors supplied by Lumascape:  
 ≤12.8 A – Installations in North American Market (UL, ETL)  
 ≤16 A – Installations in International Market (CE, CCC)

Transformer Compatibility Table

Maximum Number of Luminaires	
PSU Power	Luminaire Power (32 W)
120 W	1
240 W	2
320 W	3

Refer to PowerSync™ installation instructions for maximum distance information and typology options. For non-continuous runs contact Lumascape for details.

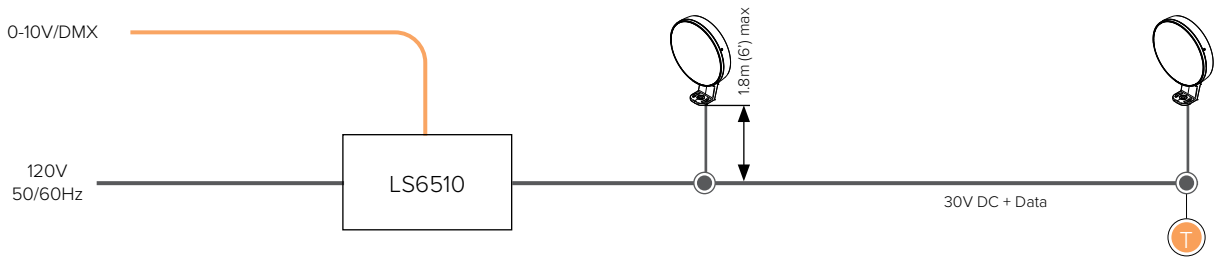


**Connection Type**

Circuits can be configured as either connectorized or hardwired. For details refer to installation instructions and comply with local electrical codes.

Network Topology – Dimmable and Color-Changing via PowerSync™

North America Market



Maximum luminaires per run under the following conditions:

- Low voltage circuit – maintain voltage drop within acceptable limits.
- For circuit length in excess of 100 ft (30 m), maintain data wire size as not larger than 14 AWG.
- Refer to 'Transformer Compatibility Table' table for maximum number of luminaires
- Always observe local electrical codes for branch circuit current limitations



**Terminator**

Use PowerSync™ terminator, supplied with leader cable to terminate last luminaire in chain.



**Connection Type**

Circuits can be configured as either connectorized or hardwired. For details refer to installation instructions and comply with local electrical codes.

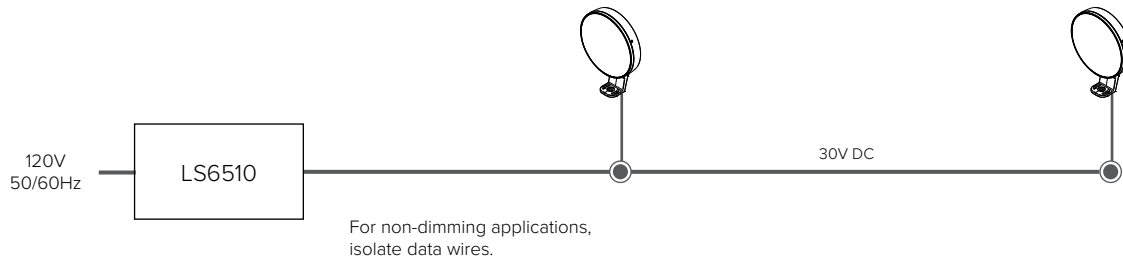
Transformer Compatibility Table

Maximum Number of Luminaires	
LS6510	Luminaire Power (32 W)
240 W	2

Refer to PowerSync™ installation instructions for maximum distance information and topology options. For non-continuous runs contact Lumascope for details.

Network Topology – Non-Dimmable

North America Market



Maximum luminaires per run under the following conditions:

- Low voltage circuit – maintain voltage drop within acceptable limits.
- For circuit length in excess of 100 ft (30 m), maintain data wire size as not larger than 14 AWG.
- Refer to 'Transformer Compatibility Table' table for maximum number of luminaires
- Always observe local electrical codes for branch circuit current limitations

● **Connection Type**

Circuits can be configured as either connectorized or hardwired. For details refer to installation instructions and comply with local electrical codes.

Transformer Compatibility Table

Maximum Number of Luminaires	
LS6510	Luminaire Power (32 W)
240 W	2

Refer to PowerSync™ installation instructions for maximum distance information and typology options. For non-continuous runs contact Lumascope for details.



Wire Colors & Designations

Low Voltage

Designation	Color
30 Vdc +	Red
30 Vdc -	Black
Data +	Orange
Data -	Grey

