



READ ALL SAFETY INSTRUCTIONS FIRST

- › Follow all safety instructions carefully. Failure to do so will void warranty.
- › Ensure installation complies with local laws and any applicable standards.
- › Input voltage range 120-277 V AC
- › Only use Lumascape power supply, control equipment and leader cables.
- › Ensure mains input power is surge protected.
- › Never make connections whilst the power is connected.
- › Do not make modifications or alter product.
- › Keep luminaire clean and free of debris.
- › Connectors are to be kept clean and dry at all times.
- › Once installed, all connectors are to be mated and a PowerSync™ terminator is required on the last fitting of run.

Products and specifications are subject to change without notice.

Product Overview

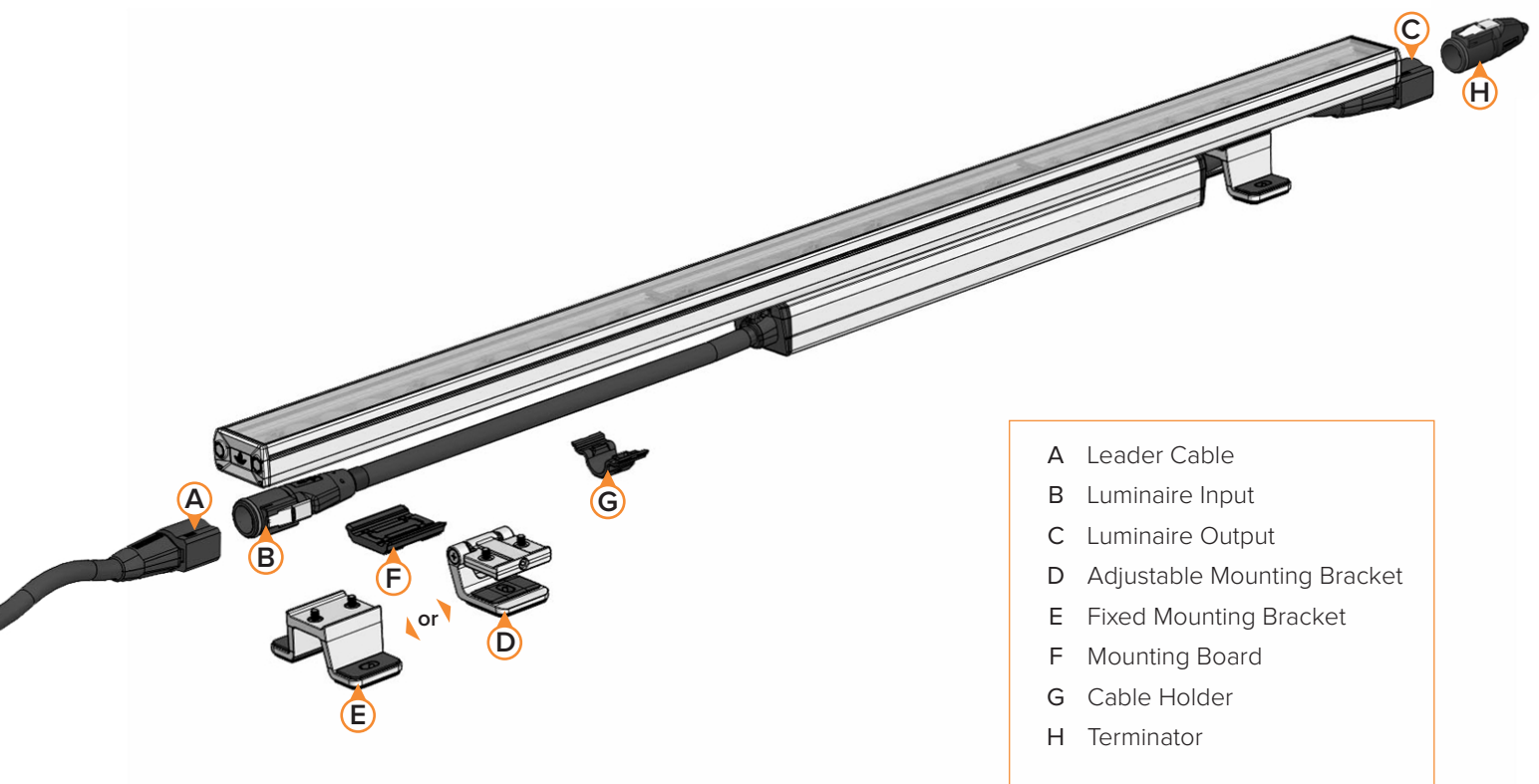
Below is a typical setup of the LS9031.

The Leader Cable (A) connects to the first Luminaire Input (B) via an IP68 quick connector. The LS9031 is designed for loop-in, loop-out.

The output (C) of the previous luminaire will connect to the Input of the next luminaire. At the end of the run the luminaire chain has to be terminated with a Terminator (H). All luminaires come with Mounting Brackets (D or E) and Cable Holders (G).

Available in 2 ft and 4 ft lengths. All 2 ft luminaires come with a single Cable Holder while 4 ft luminaires are each supplied with four Cable Holders.

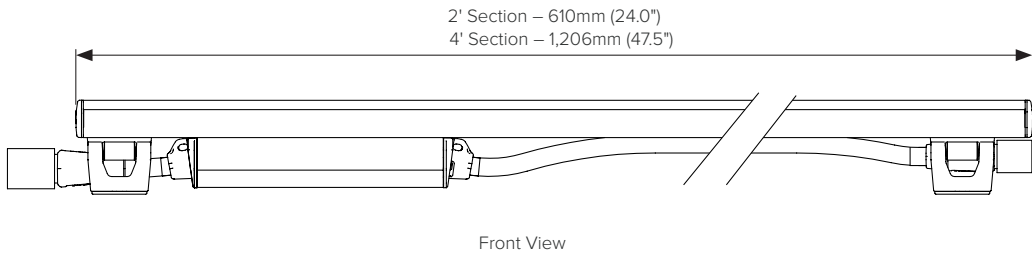
Mounting Brackets and Cable Holders need to be attached to the luminaires before mounting. It is recommended installers use two 316 stainless steel screws per Mounting Bracket to secure the luminaire to the substrate.



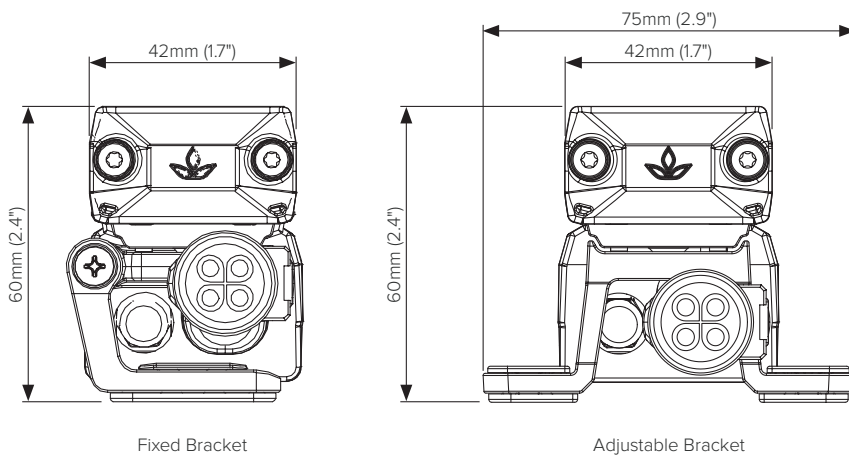
Products and specifications are subject to change without notice.

Dimensions

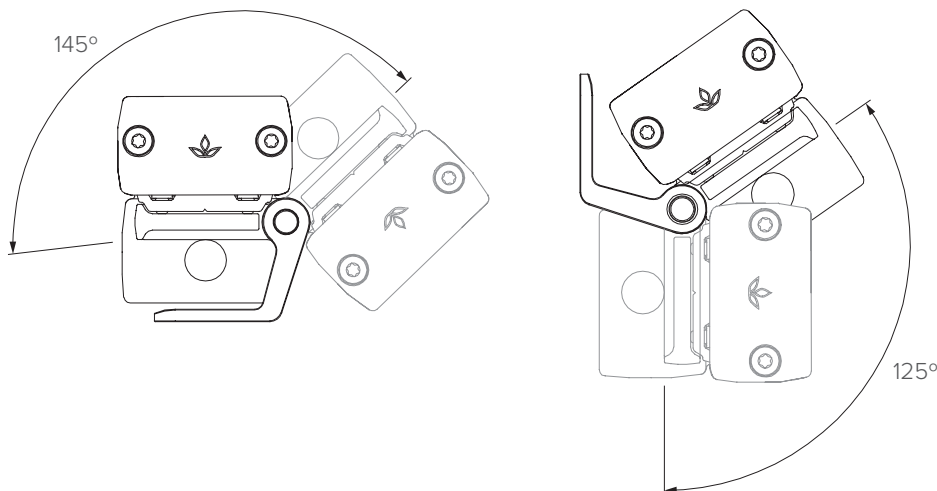
Technical Drawings



Brackets



Luminaire Rotation



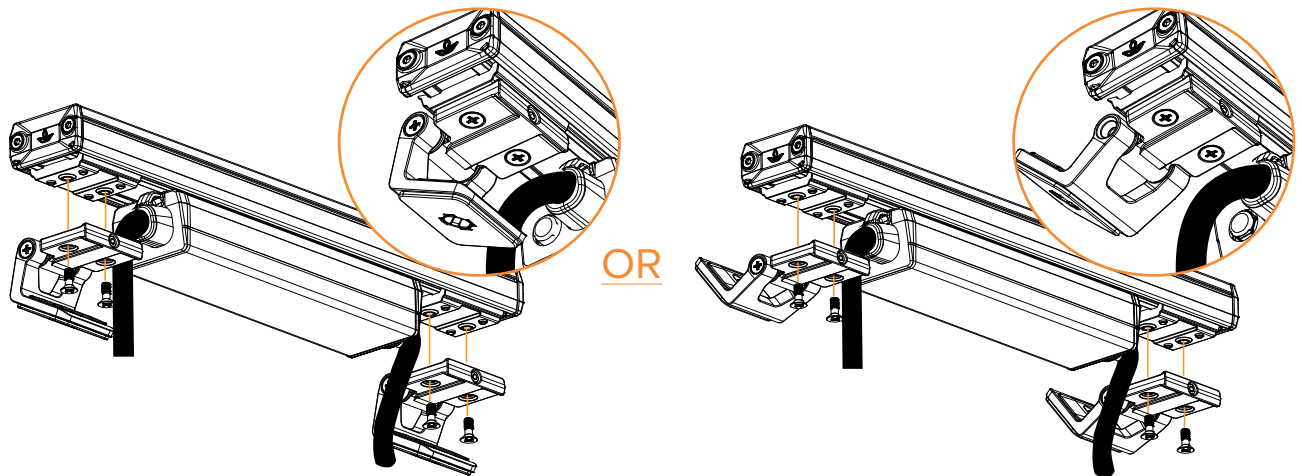
Products and specifications are subject to change without notice.

Adjustable Bracket

Step 1

Screw adjustable bracketry to mounting board on underside of luminaire and screw bracket in place. Repeat until all four screws are firmly in place. **Torque: 1.5 N.m.**

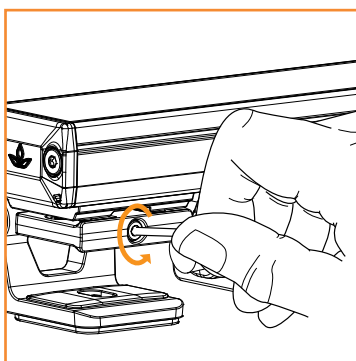
Please Note: The adjustable mounting bracket is reversible.



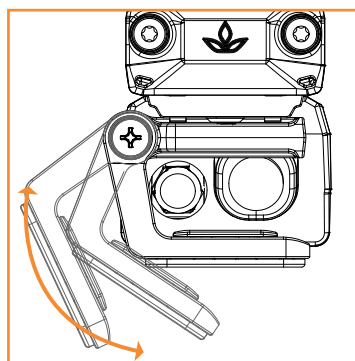
Torque: 1.5 N.m

Step 2

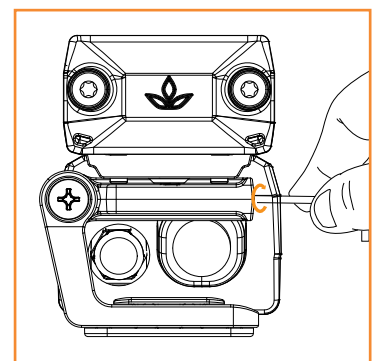
Use allen key to loosen tilt mechanism and adjust the tilt on brackets. Tighten to lock bracketry in place.



Unlock



Adjust



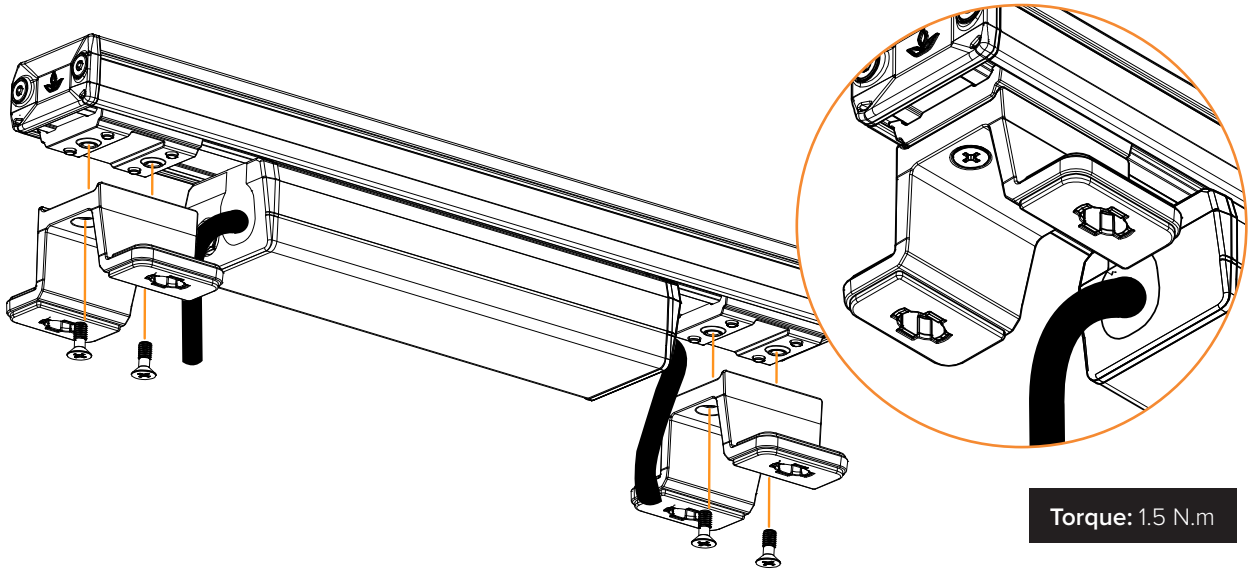
Lock

Products and specifications are subject to change without notice.

Attaching Fixed Bracket

Step 1

Screw fixed bracketry to mounting board on underside of luminaire and screw bracket in place.
Torque: 1.5 N.m

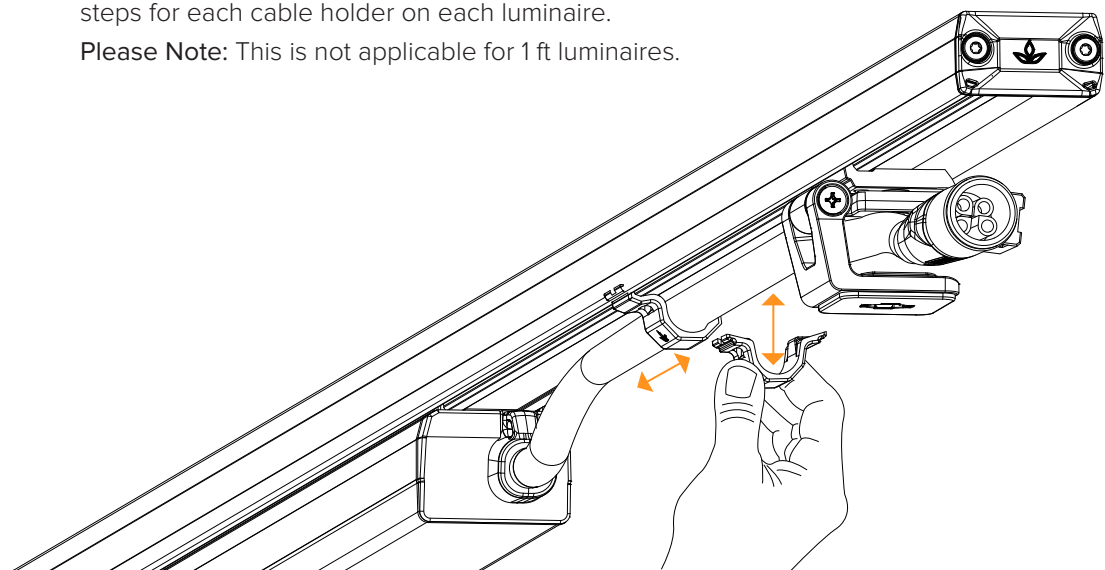


Attaching Cable Holders

Step 2

Clip the cable under the cable holder. Pinch firmly to remove and re-attach cable holders. Repeat these steps for each cable holder on each luminaire.

Please Note: This is not applicable for 1 ft luminaires.

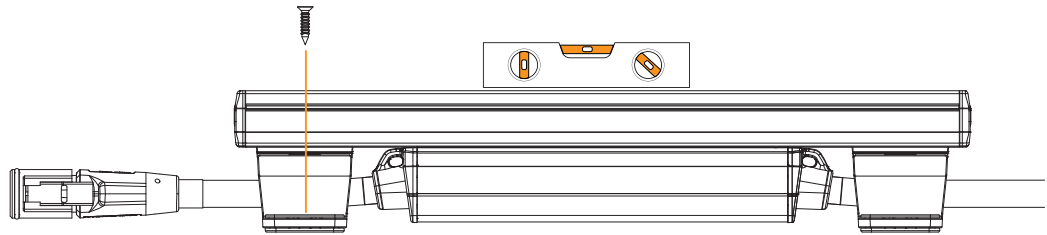


Products and specifications are subject to change without notice.

Mounting the Luminaire

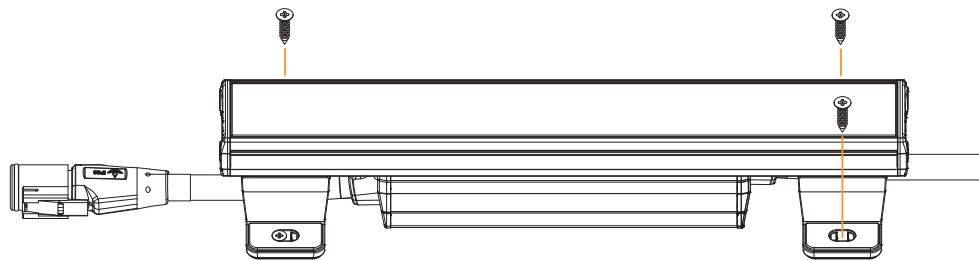
Step 1

It is recommended to mount the luminaire with 316 stainless steel screws. To start put a single screw into one bracket and using a spirit level or digital inclinometer make sure luminaire is level. Once the luminaire is level secure with a second screw on the opposing side.



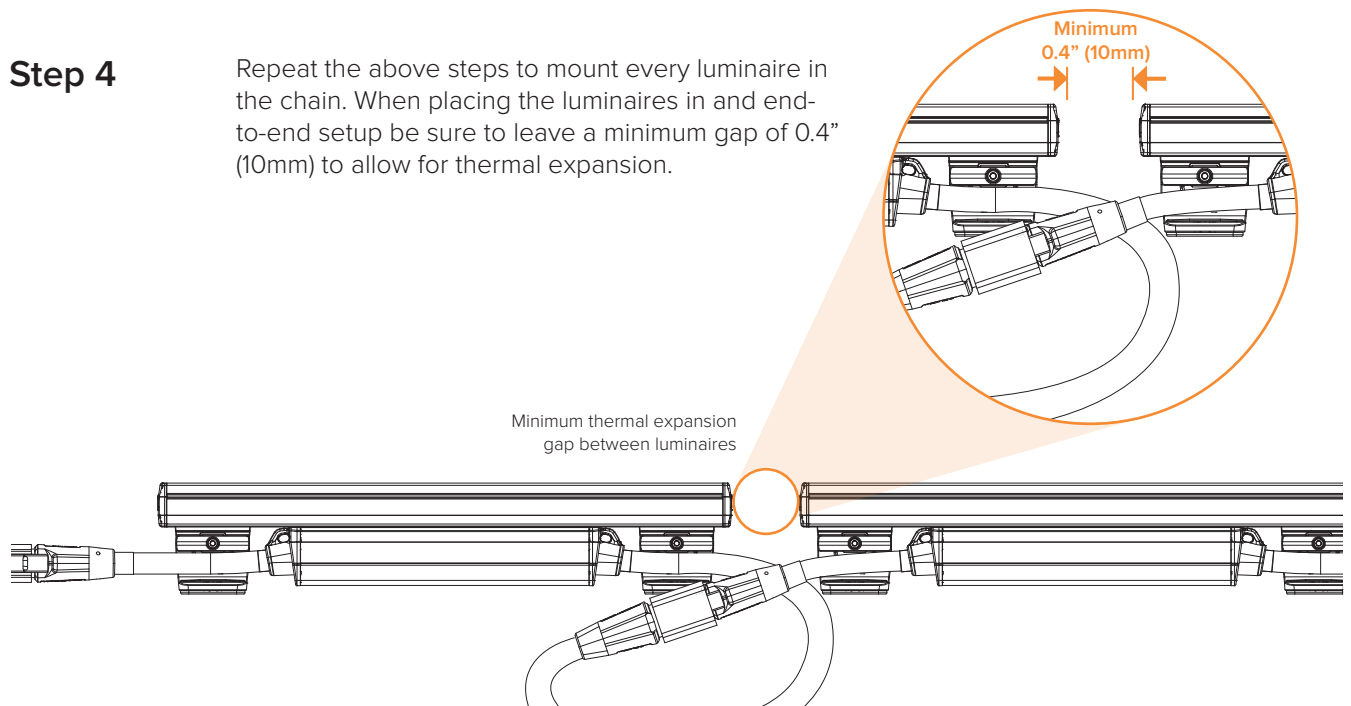
Step 2

Insert the remaining screws required. Each adjustable mounting bracket should be secured with one 316 stainless steel screw. Each fixed mounting bracket should be secured with two (2) 316 stainless steel screws.



Step 4

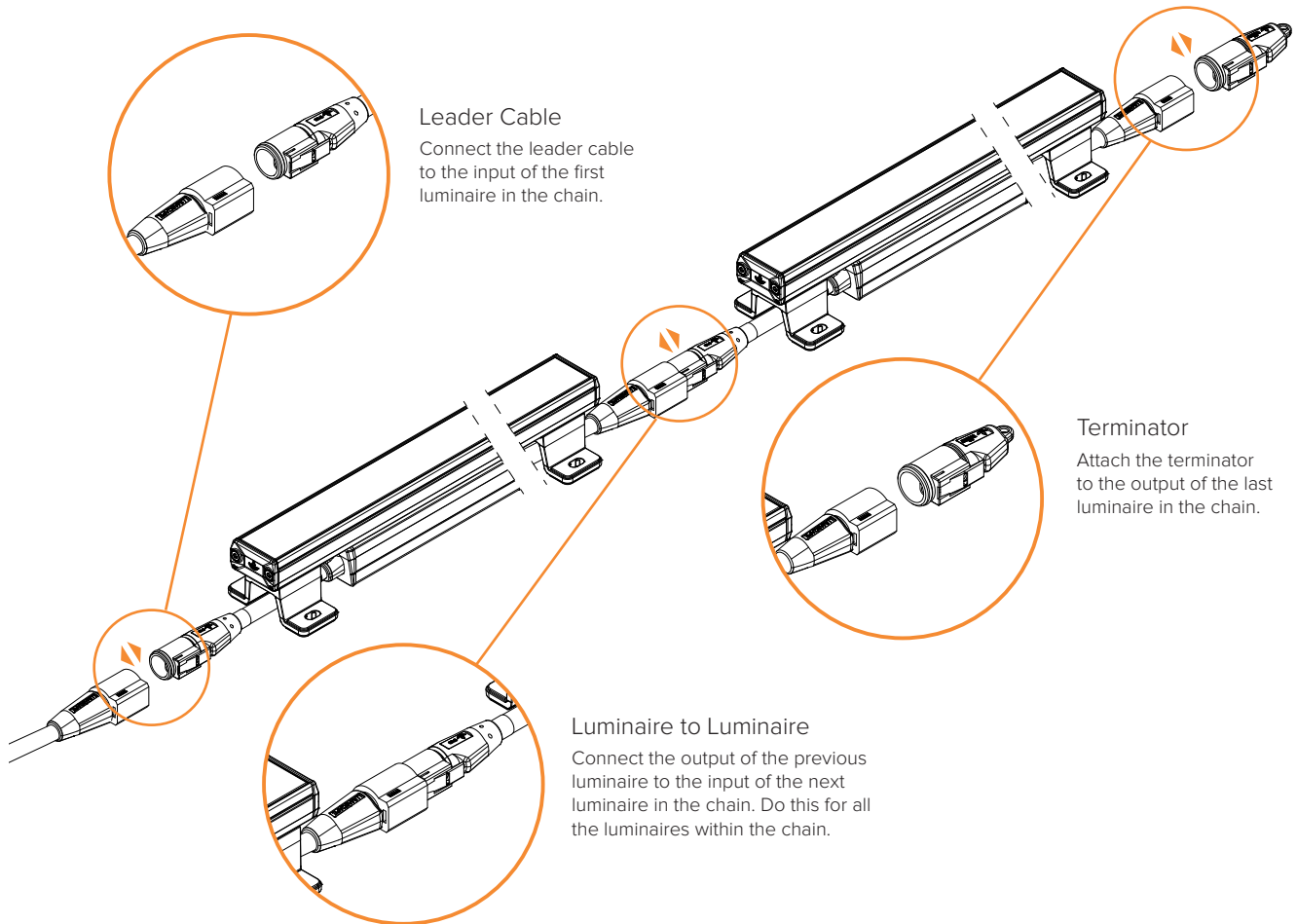
Repeat the above steps to mount every luminaire in the chain. When placing the luminaires in an end-to-end setup be sure to leave a minimum gap of 0.4" (10mm) to allow for thermal expansion.



Products and specifications are subject to change without notice.

Electrical Connection

Step 1 Once the physical components have been installed it is time to complete the electrical installation.



Step 2 Power up the circuit to test the installation.



Mains Voltage

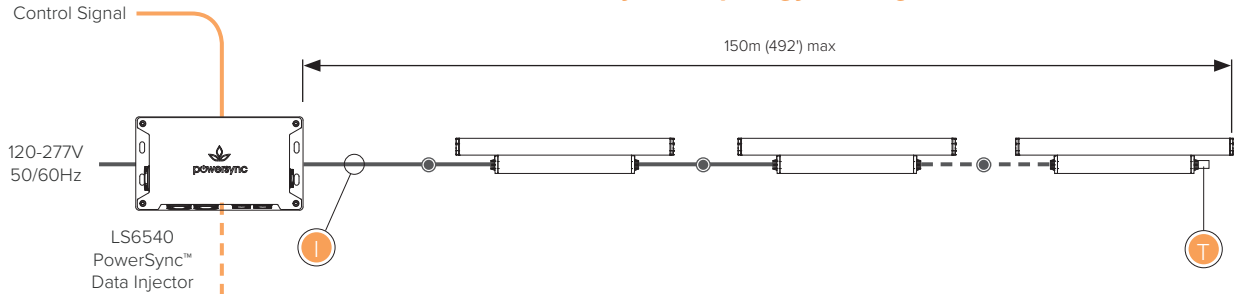
International Market		Wire Colour	Designation
	Active	Brown	
	Neutral	Blue	
	Earth	Green / Yellow	
	Data	Black	
North American Market		Wire Colour	Designation
	Active	Black	
	Neutral	White	
	Earth	Green / Yellow	
	Data	Grey (or Red)	

QUESTIONS
Contact us at details below

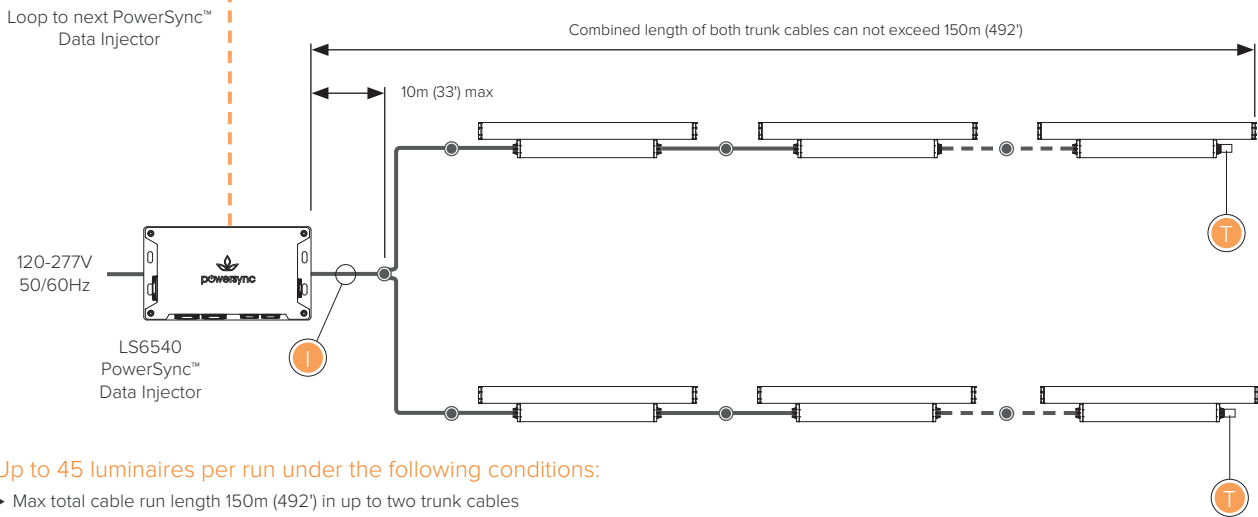
Products and specifications are subject to change without notice.

Network Topology - PowerSync™ Dimmable

PowerSync™ Topology 1 - Single Trunk Cable



PowerSync™ Topology 2 - Split Trunk Cable



Up to 45 luminaires per run under the following conditions:

- ▶ Max total cable run length 150m (492') in up to two trunk cables
- ▶ For run lengths in excess of 30m (100'), the *data* wire gauge cannot exceed 14 AWG (2.5mm²)
- ▶ For run lengths up to 30m (100'), the *data* wire gauge is not governed
- ▶ Refer to 'Maximum Circuit Load' table for circuit limitations
- ▶ Always observe local electrical codes for branch circuit current limitations

T Terminator
Use PowerSync™ terminator, supplied with leader cable to terminate last luminaire in chain.

I Maximum Current
≤16.0A through cables and connectors supplied by Lumascape
≤12.8A applies to connectorised installations in North America

● Connection Type
Circuits can be configured as either connectorised or hardwired. For details consult installation instructions and comply with local electrical codes.

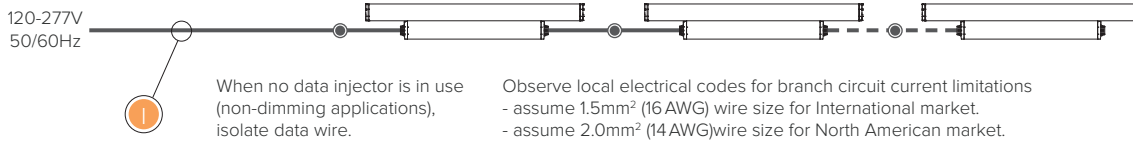
Maximum Circuit Load

Maximum Number of Interconnected Fixtures							
Luminaire Length	LED Power	120V		240V		277V	
		12A	16A	12A	16A	12A	16A
1ft	5W	45	45	45	45	45	45
	12W	45	45	45	45	45	45
2ft	5W	45	45	45	45	45	45
	12W	40	45	45	45	45	45
3ft	5W	45	45	45	45	45	45
	12W	26	35	45	45	45	45
4ft	5W	42	42	45	45	45	45
	12W	20	26	40	45	45	45

Refer to PowerSync™ installation manual for maximum distance information and topology options.
All connectorised options in North America are limited to 12.8A branch circuit load.
For non-continuous runs contact factory for details.
Local wiring rules and requirements may limit circuit loadings. Refer to relevant electrical parameters to calculate.

Products and specifications are subject to change without notice.

Network Topology - Non-Dimmable



Up to 45 luminaires per run under the following conditions:

- ▶ Refer to 'Maximum Circuit Load' table for circuit limitations
- ▶ Always observe local electrical codes for branch circuit current limitations

1 Maximum Current
 ≤16.0A through cables and connectors supplied by Lumascape
 ≤12.8A applies to connectorised installations in North America

2 Connection Type
 Circuits can be configured as either connectorised or hardwired. For details consult installation instructions and comply with local electrical codes.

Maximum Circuit Load

Maximum Number of Interconnected Fixtures							
Luminaire Length	LED Power	120V		240V		277V	
		12A	16A	12A	16A	12A	16A
1ft	5W	45	45	45	45	45	45
	12W	45	45	45	45	45	45
2ft	5W	45	45	45	45	45	45
	12W	40	45	45	45	45	45
3ft	5W	45	45	45	45	45	45
	12W	26	35	45	45	45	45
4ft	5W	42	42	45	45	45	45
	12W	20	26	40	45	45	45

Refer to PowerSync™ installation manual for maximum distance information and typology options.
 All connectorised options in North America are limited to 12.8A branch circuit load.
 For non-continuous runs contact factory for details.
 Local wiring rules and requirements may limit circuit loadings. Refer to relevant electrical parameters to calculate.

Products and specifications are subject to change without notice.