



MODEL G521-LED, G522-LED
G511-LED, G512-LED
INSTALLATION TYPE Wall Mount
IP RATING IP65
SUPPLY VOLTAGE 24 V DC
INSTRUCTIONS COVER Single Colour / Dimming

City Range LED / Wall Mount / Low Voltage

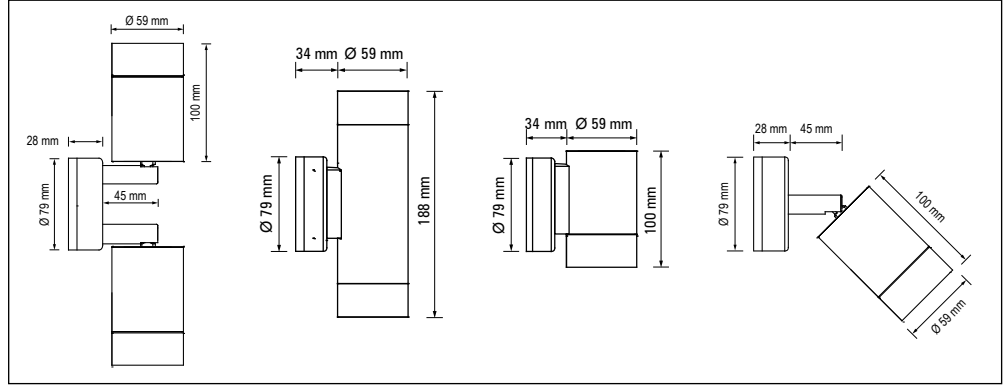
Warranty void if not installed as per installation instructions



DANGER

ISOLATE LUMINAIRE FROM POWER

Failure to isolate power supply before installation or maintenance may result in fire, serious injury, electric shock, death and may damage the luminaire.

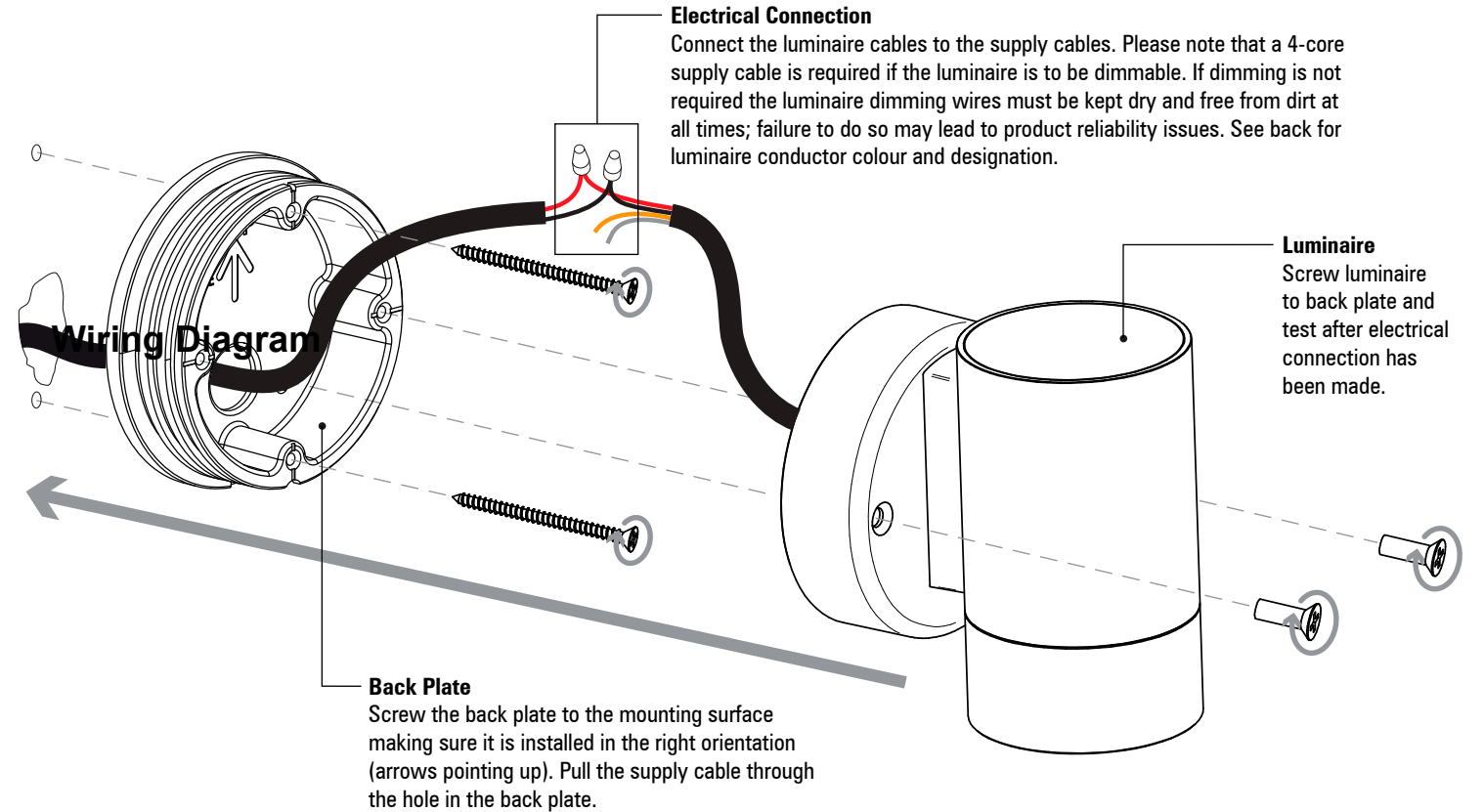


- Before you begin always check luminaire label for correct supply details and lamp type if applicable.
- Power supply must be isolated prior to connection or disconnection of cables. Failure to do so will result in damage to the luminaire components.

WARNING

The luminaire should only be used complete with its protective shield (screw on lid with glass).

All luminaires to be installed by a competent person only.



Step Dimming

Step 1. Switch the fitting **ON** for at least thirty (30) seconds.

Step 2. Switch **OFF** and back **ON** 4 times, waiting 3 seconds between each off and on cycle. Ensure all the lights go out and come on completely each time.

The fittings will now blink six times. Once complete the brightness will set to 100%.

Step 3. Switch **OFF** and **ON** slowly to decrease the brightness by 10%. Ensure all the lights go out and come on completely each time.

Step 4. When the lights are at the desired brightness, leave them on for about ten (10) seconds.

The fittings will now flash several times to confirm that you have successfully set the brightness.

Maximum Circuit Load

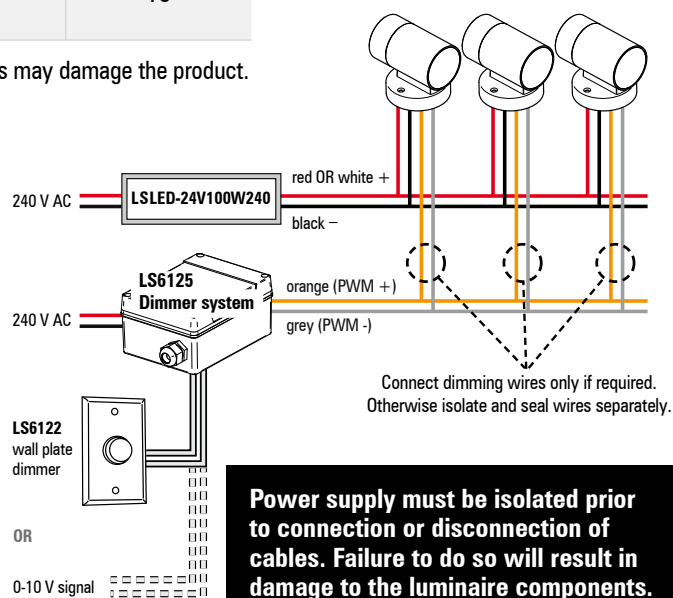
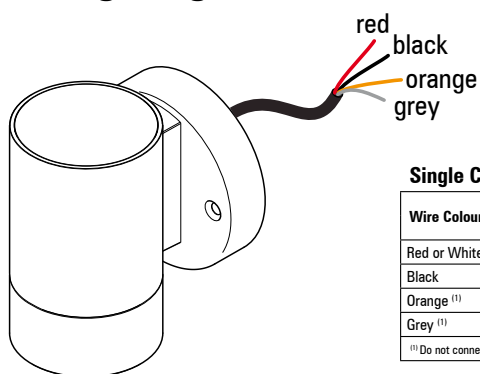
Compatibility with each driver is indicated by the value shown in the table, representing the maximum number of luminaires that may be powered from each driver based on a maximum cable run of 100m (328ft) and a trunk cable size of 3.3mm². Please note, this does not take into consideration voltage drop beyond a distance of 100m or ampacity limits of the branch circuit. For assistance, please consult factory.

LSLED-24V Power Supplies

Input Voltage	100-240V, 50/60Hz			
Output Voltage	24V DC, 100W			
Luminaire	G511-LED	G512-LED	G521-LED	G522-LED
Number of luminaires, using 3.3mm ² cable, up to 100m long	18	10	18	10

NOTE: DC Power supply must be used. 'Electronic' transformer cannot be used as this may damage the product.

Wiring Diagram



NOTE: If dimming is required use LS6125 PWM to 0-10V dimming.

IMPORTANT: Please note that the PWM dimming signal polarity is reversed with Lumascope's LS6125 and any third party PWM controllers. See diagram on right for details.

Questions?

Call +61 7 3854 5000

Email sales@lumascope.com

www.lumascope.com

SAFETY INSTRUCTIONS

WARNING - To reduce the risk of FIRE or INJURY:

1. Luminaires and power supplies to be installed by licensed electrical contractors.
2. Luminaires to be used for intended purpose only.
3. Do not operate the luminaires with a missing or damaged parts.
4. Use only genuine Lumascope parts to replace damaged or missing components.
5. Refer to instructions for installation and operating requirements.
6. Ensure installation complies with local regulations

Voltage insulation test (megger) will permanently damage product and will void warranty.

SAVE THESE INSTRUCTIONS.

Step Dimming

- Step 1.** Switch the fitting **ON** for at least thirty (30) seconds.
- Step 2.** Switch **OFF** and back **ON** 4 times, waiting 3 seconds between each off and on cycle. Ensure all the lights go out and come on completely each time.

The fittings will now blink six times. Once complete the brightness will set to 100%.

- Step 3.** Switch **OFF** and **ON** slowly to decrease the brightness by 10%. Ensure all the lights go out and come on completely each time.
- Step 4.** When the lights are at the desired brightness, leave them on for about ten (10) seconds.

The fittings will now flash several times to confirm that you have successfully set the brightness.

Maximum Circuit Load

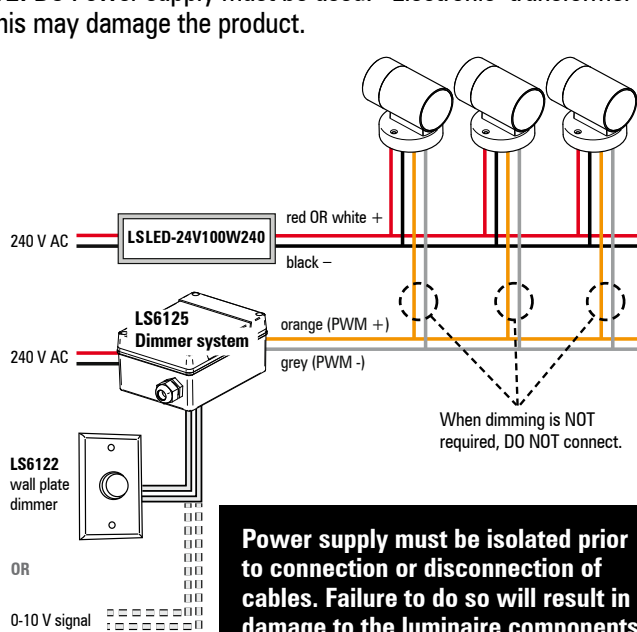
Compatibility with each driver is indicated by the value shown in the table, representing the maximum number of luminaires that may be powered from each driver based on a maximum cable run of 100m (328ft) and a trunk cable size of 3.3mm². Please note, this does not take into consideration voltage drop beyond a distance of 100m or ampacity limits of the branch circuit. For assistance, please consult factory.

LSLED-24V Power Supplies

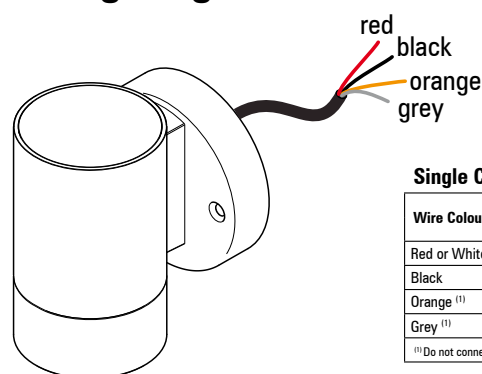
Input Voltage	100-240V, 50/60Hz			
Output Voltage	24V DC, 100W			
Luminaire	G511-LED	G512-LED	G521-LED	G522-LED
Number of luminaires, using 3.3mm ² cable, up to 100m long	18	10	18	10

NOTE: DC Power supply must be used. 'Electronic' transformer cannot be used as this may damage the product.

Wiring Diagram



Power supply must be isolated prior to connection or disconnection of cables. Failure to do so will result in damage to the luminaire components.



Single Colour Dimming

Wire Colour	Designation
	DC
Red or White	+
Black	-
Orange ⁽¹⁾	PWM + (optional)
Grey ⁽¹⁾	PWM - (optional)

⁽¹⁾ Do not connect if dimming is not required

NOTE: If dimming is required use LS6125 PWM to 0-10V dimming.

IMPORTANT: Please note that the PWM dimming signal polarity is reversed with Lumascope's LS6125 and any third party PWM controllers. See diagram on right for details.

Questions?

Call +61 7 3854 5000

Email sales@lumascope.com

www.lumascope.com

SAFETY INSTRUCTIONS

WARNING - To reduce the risk of FIRE or INJURY:

1. Luminaires and power supplies to be installed by licensed electrical contractors.
2. Luminaires to be used for intended purpose only.
3. Do not operate the luminaires with a missing or damaged parts.
4. Use only genuine Lumascope parts to replace damaged or missing components.
5. Refer to instructions for installation and operating requirements.
6. Ensure installation complies with local regulations

Voltage insulation test (megger) will permanently damage product and will void warranty.

SAVE THESE INSTRUCTIONS.