



**MODEL** G521-LED, G522-LED  
G511-LED, G512-LED  
**INSTALLATION TYPE** Wall Mount  
**IP RATING** IP65  
**SUPPLY VOLTAGE** 110-240 V AC, 50/60 Hz  
**INSTRUCTIONS COVER** Single Colour

**City Range LED / Wall Mount / Mains Voltage**

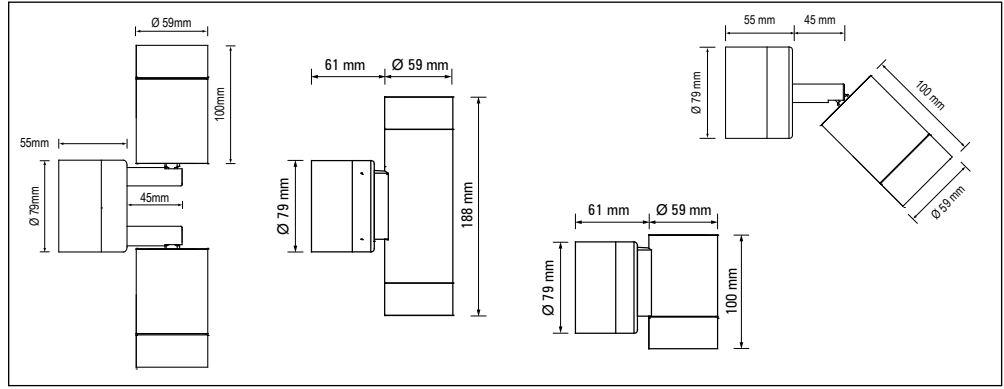
**Warranty void if not installed as per installation instructions**



**DANGER**

**ISOLATE LUMINAIRE FROM POWER**

Failure to isolate power supply before installation or maintenance may result in fire, serious injury, electric shock, death and may damage the luminaire.



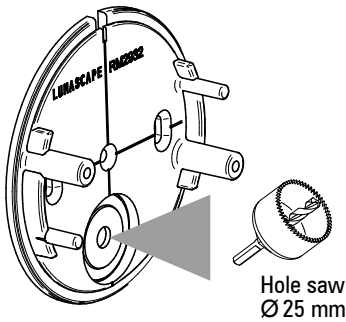
- Before you begin always check luminaire label for correct supply details and lamp type if applicable.
- Power supply must be isolated prior to connection or disconnection of cables. Failure to do so will result in damage to the luminaire components.

**WARNING**

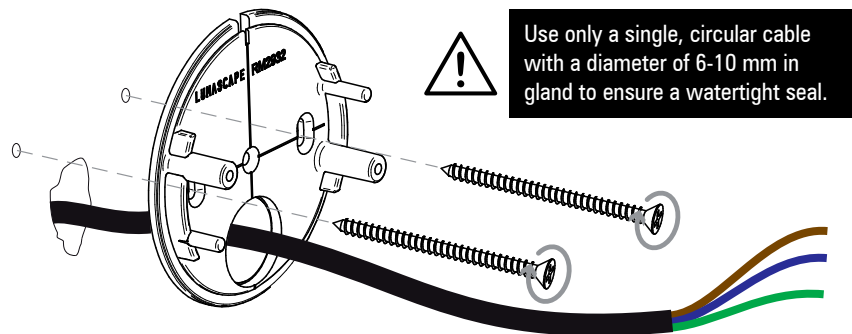
The luminaire should only be used complete with its protective shield (screw on lid with glass).

All luminaires to be installed by a competent person only.

1. Use a 25 mm hole saw to drill the gland hole out of the mounting back plate.

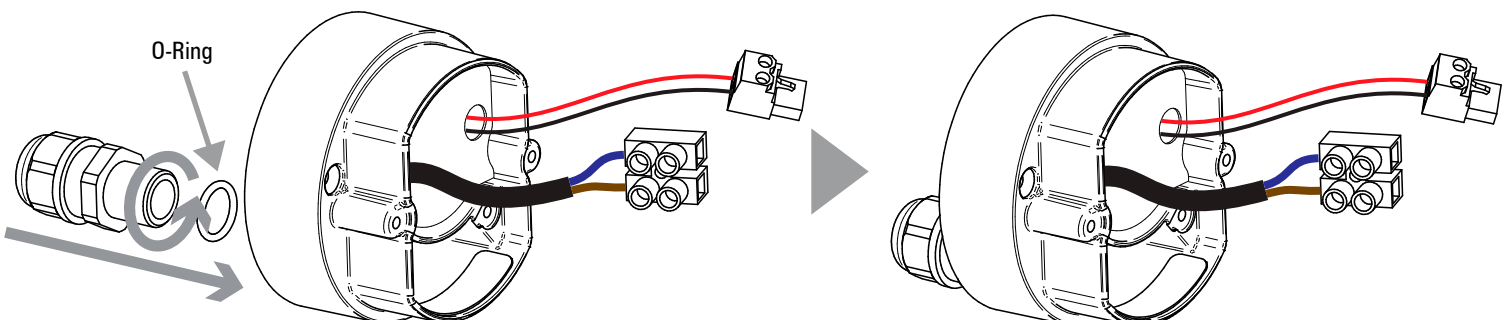


2. Pull the supply cable through the gland hole and screw the mounting back plate to the mounting surface ensuring the back plate is level and in the correct orientation for the luminaire you are wanting to install.



3. Screw the gland into the back of the driver housing ensuring the o-ring is in place between the two components.

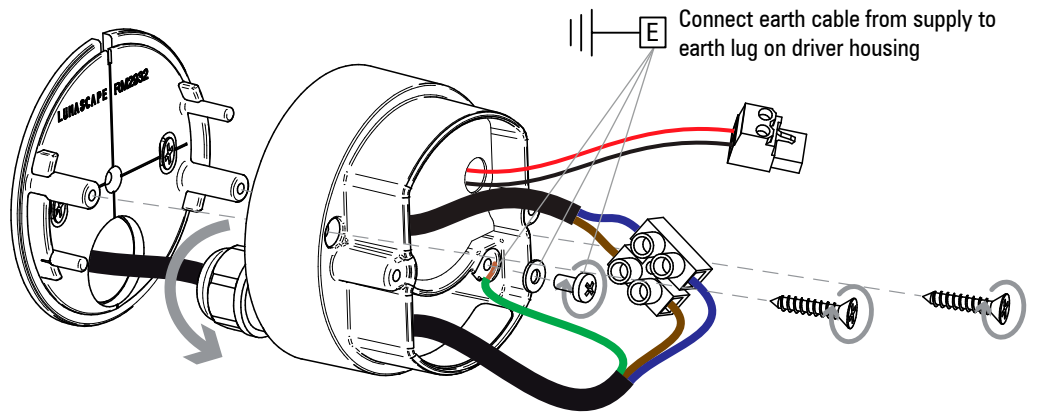
Once completed the finished assembly should look like below.



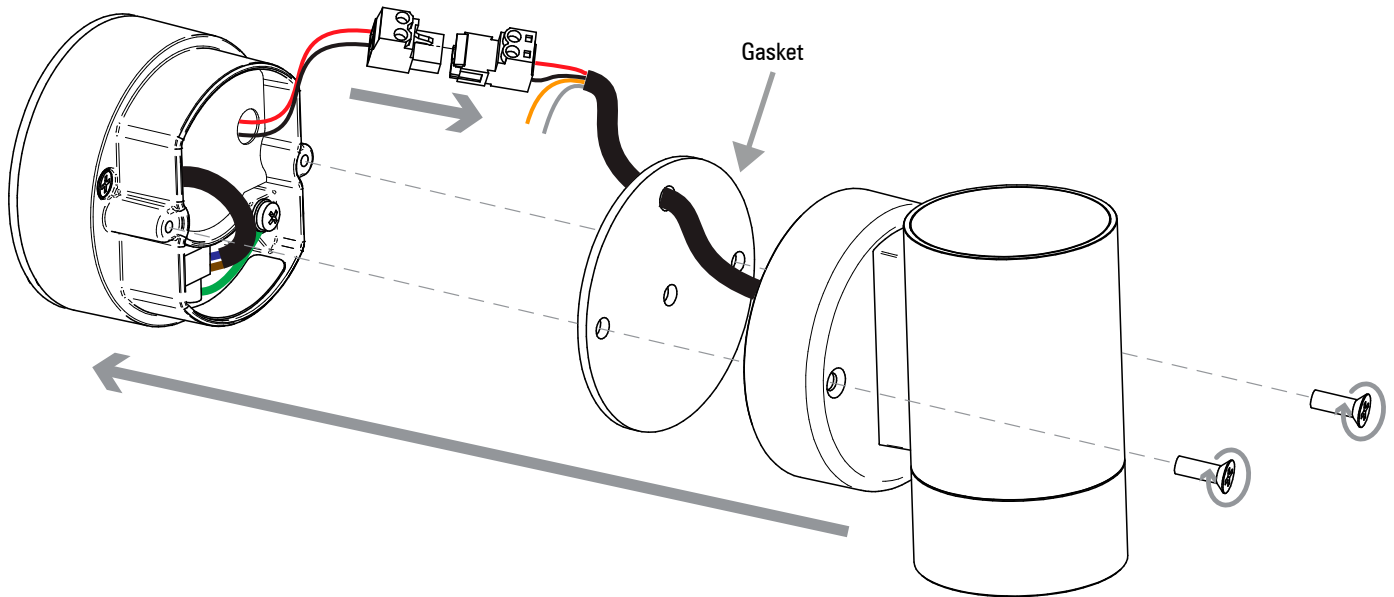
4. Pull supply cable through gland and tighten up as shown. Connect the supply cable to the driver using the terminal block. Do not forget to connect the earth wire from the supply cable to the earth lug on the driver housing. Screw the driver housing to the mounting back plate.



Power supply must be isolated prior to connection or disconnection of cables. Failure to do so will result in damage to the luminaire components.



5. Connect the luminaire to the driver using the connector. Then screw the luminaire body



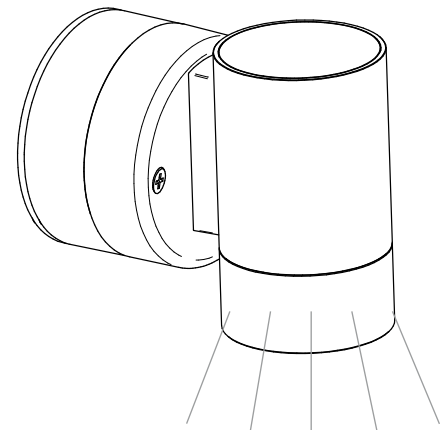
## Questions?

Call +61 7 3854 5000

Email [sales@lumescape.com](mailto:sales@lumescape.com)

[www.lumescape.com](http://www.lumescape.com)

5. Energise luminaire to test.



## SAFETY INSTRUCTIONS

**WARNING - To reduce the risk of FIRE or INJURY:**

1. Luminaires and power supplies to be installed by licensed electrical contractors.
2. Luminaires to be used for intended purpose only.
3. Do not operate the luminaires with a missing or damaged parts.
4. Use only genuine Lumescape parts to replace damaged or missing components.
5. Refer to instructions for installation and operating requirements.
6. Ensure installation complies with local regulations

**Voltage insulation test (megger) will permanently damage product and will void warranty.**

**SAVE THESE INSTRUCTIONS.**