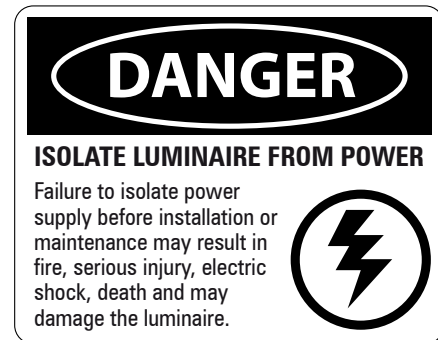


LS3080 + LS640-K84 Pre-Installation



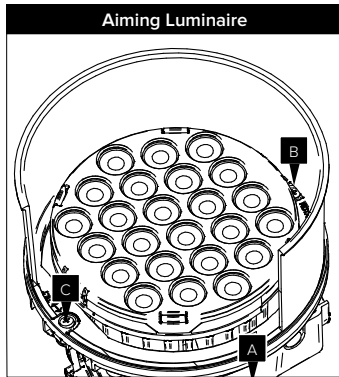
Warranty Void if not installed as per installation instructions and in compliance with the local electrical code.

READ ALL SAFETY INSTRUCTIONS FIRST

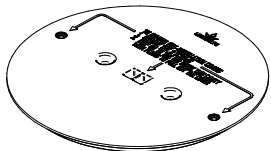
- › Follow instructions carefully, failure to do so will void warranty.
- › Ensure installation complies with local law and applicable standards.
- › Input voltage range 110-277V AC 50/60Hz.
- › Requires Lumascape PowerSync Master LS6540 for dimming or color changing.
- › Never make connections whilst the power is connected.
- › All connections must be kept dry; failure to do so may result in product reliability issues.
- › Ensure mains input power is surge protected.
- › Do not make modifications or alter the product.
- › Keep luminaire clean and free of debris.

General Assembly

⚠ To prevent condensation, ensure luminaire is acclimatized (at same temperature as environment) before installation.



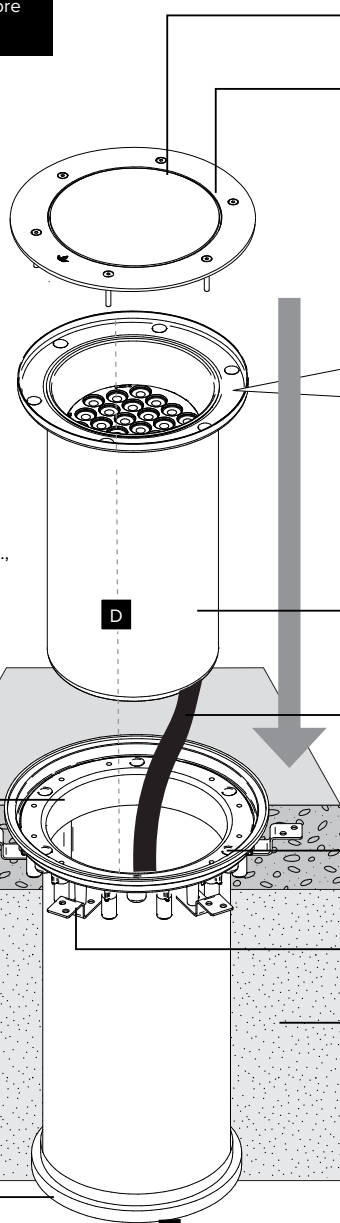
- A Aim Mark**
Point in the direction of the target to be lit.
- B Rotation Lock Screw**
Tighten to lock gimbal rotation.
- C Tilt Adjustment Screw**
Turn to adjust tilt of gimbal.



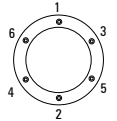
Temporary Cover
Keep on pre-installation kit in order to avoid concrete and debris from entering the cavity. Remove when ready to install luminaire.

Poured Concrete

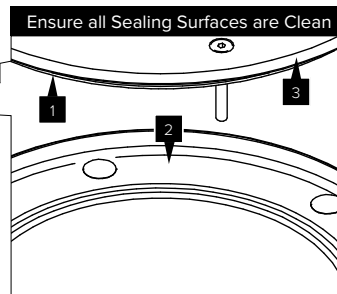
Foam Plug
Use as a temporary barrier when concrete is poured around pre-installation kit. Remove before installing luminaire to allow for adequate drainage.



Cover Screw(s)
Tighten in the following torque pattern to seal luminaire.



Luminaire Cover
After aiming luminaire at target seal luminaire using the cover. Align the cover screws and the screw holes in the luminaire body with the corresponding threaded holes in the pre-installation kit. Be sure to tighten cover screws as per the torque pattern shown above. **D**



Ensure all sealing surfaces are clean and free of concrete, dirt, debris or any other foreign matter. Sealing Surfaces include.

- 1** Entire Rubber Lid Seal
- 2** Luminaire Flange
- 3** Luminaire Lid Underside

Luminaire Body
Slide into pre-installation kit and secure to mounting collar using cover and cover screws.

Luminaire Cable / Hookup Wire
Terminate in accordance to local wiring rules. Make sure to properly isolate data wire if not used. See diagram below for conductor colour and designation.

Mounting Collar
Ensure final installation surface is completely flush with top face of the blockout.

Mounting Brackets
Screw mounting brackets to collar to arrest any movement.

Gravel
Use gravel which allows good drainage around luminaire.

Wiring Details

CE Color Code	UL / ETL Color Code	Designation
Green / Yellow	Green	Earth / Ground (⊕)
Brown	Black	Active / Live (L)
Blue	White	Neutral (N)
Black	Grey	Data*

* Data wire must be appropriately insulated if not connected. Operating voltage on this wire is 24 V. Incorrect wiring will damage luminaire and void warranty. Do not Hi-Pot test.

⚠ Bootlace ferrules must be used on all wires when connecting in terminal blocks.

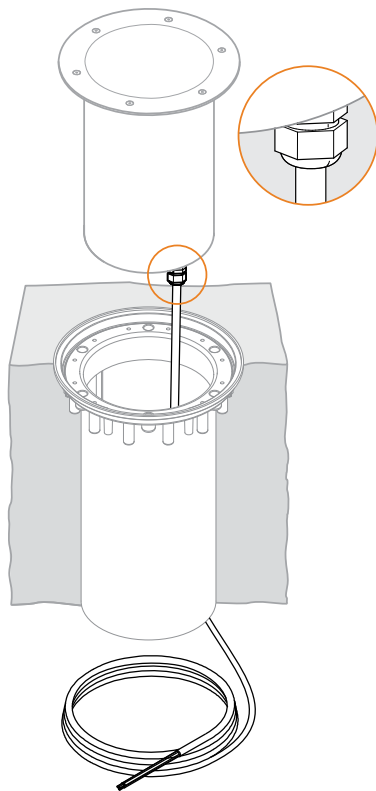
Installation Preparation

WARNING

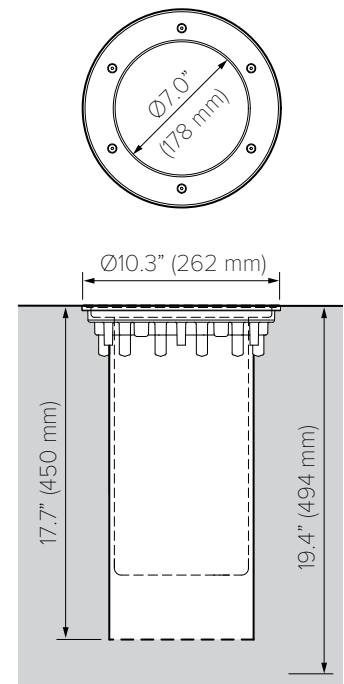
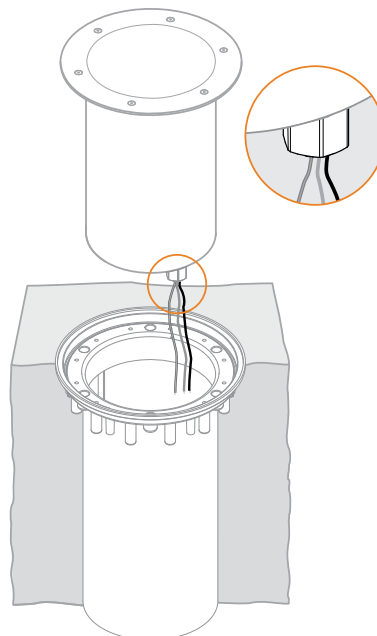
- > The luminaire should only be used complete with its protective shield (cover).
- > Keep electronics free from dirt and moisture.
- > Luminaires can become very hot. Use discretion in placement.
- > No power tools to be used.
- > Do not shorten or interfere with cable assembly.
- > Warranty will be void if cable assembly is tampered with.
- > Do not overtighten lid screws.
- > Do not apply downward force on the lid of luminaire.

Component Overview

Connection Type '84'



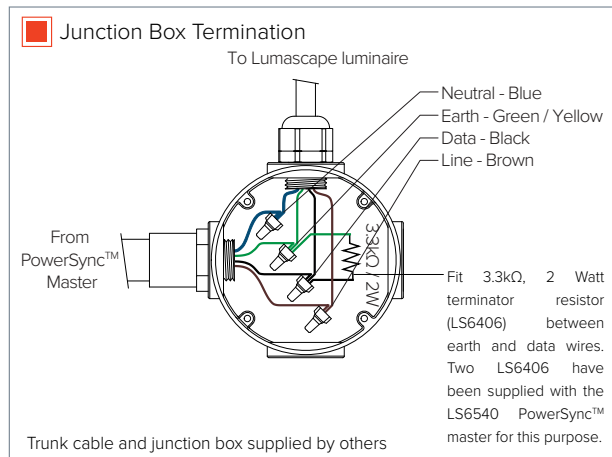
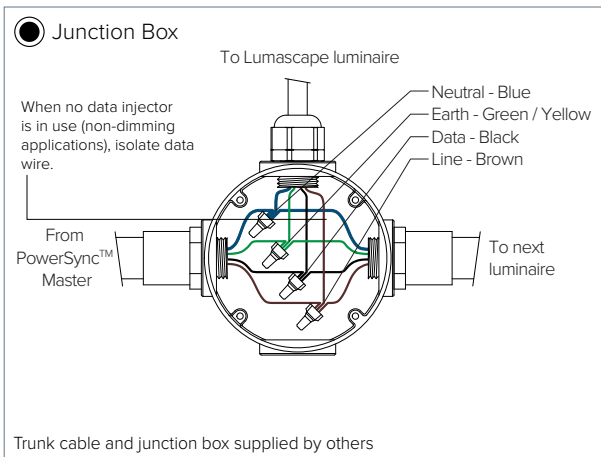
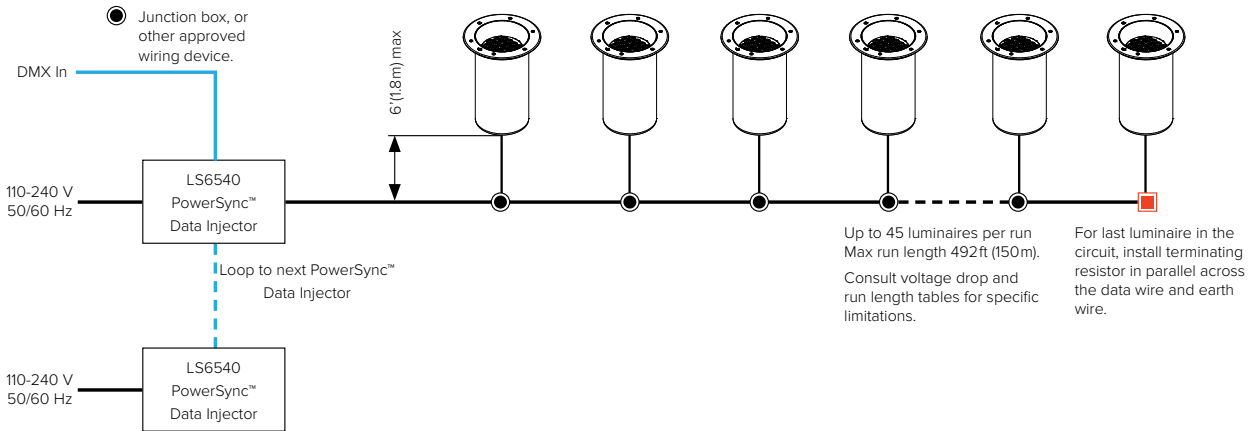
Connection Type '82'
North American market only



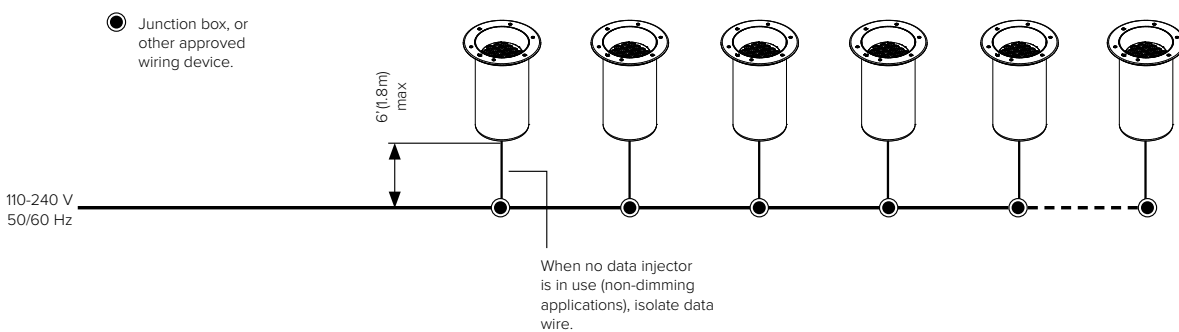
Network Topology

Australia | Asia | Middle East | Europe

LS3080 Dimming



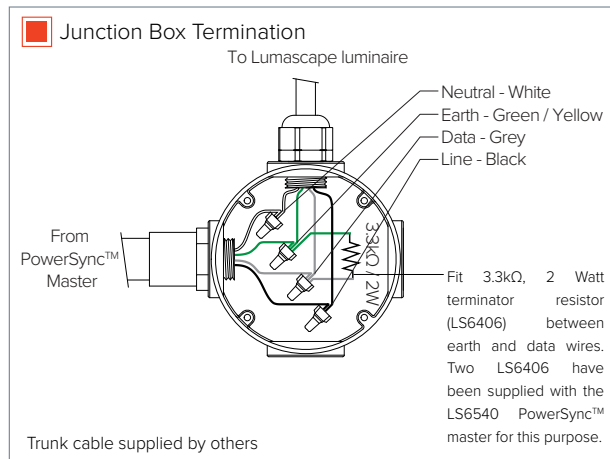
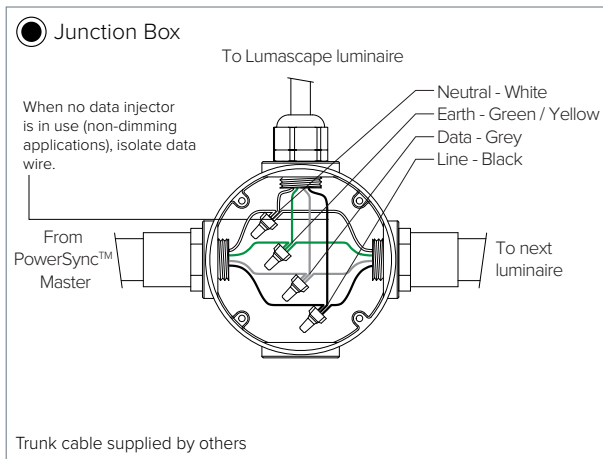
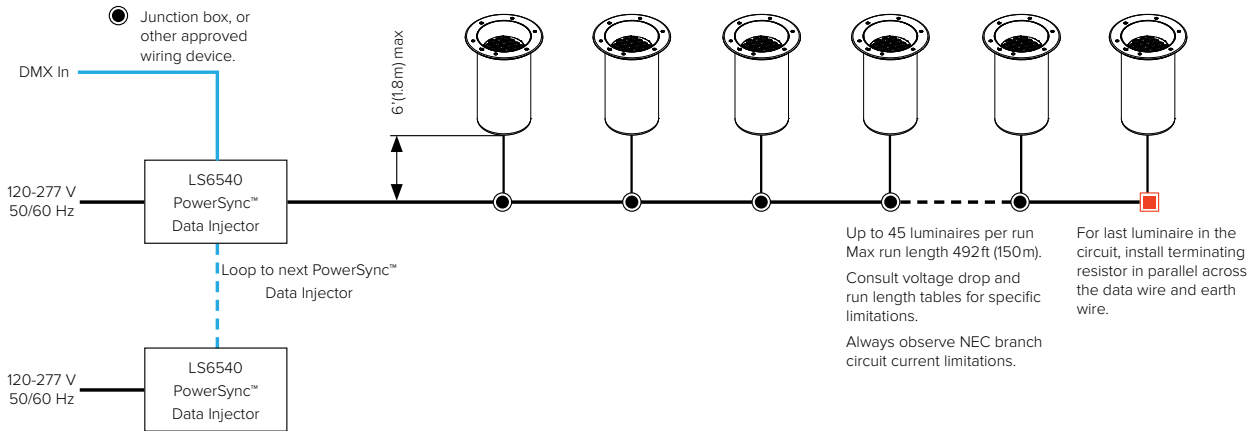
LS3080 Non-Dimming



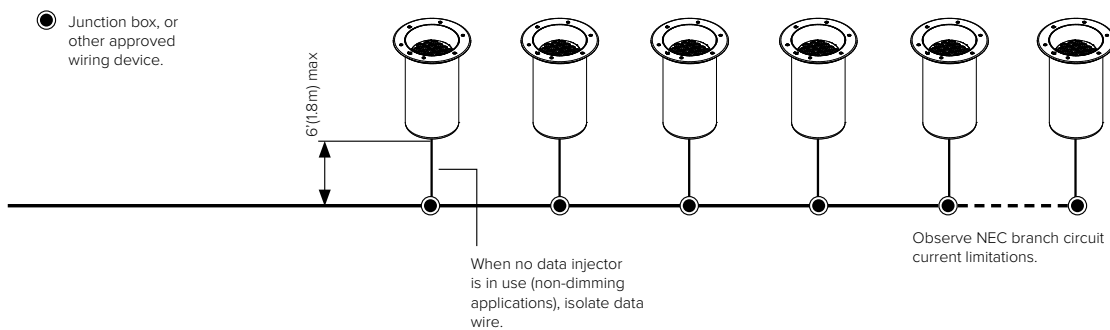
Network Topology

North America

LS3080 Dimming



LS3080 Non-Dimming



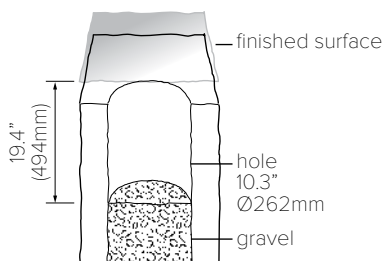
Installation

IP68

Step 1

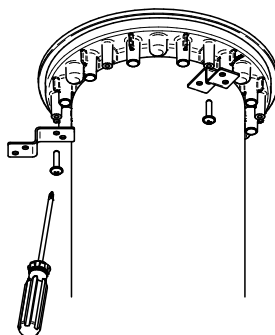
Layout luminaire locations as required. Use discretion in placement as luminaire may become hot and could burn. Luminaire cavity should be as shown. Ensure gravel or similar medium forms the bottom of the cavity to allow drainage.

Note: Always check luminaire label for correct supply details and lamp type if applicable.



Step 2

Position and use screws to attach brackets at the bottom of the mounting collar before concrete is poured.



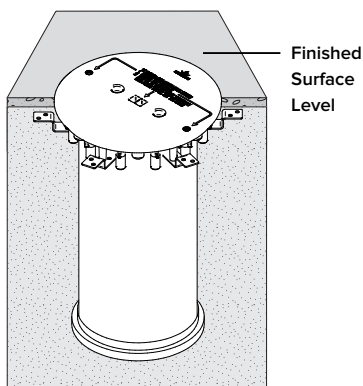
Step 3

Fit sleeve, collar and cover plate.

- Fit sleeve and collar over foam plug.
- Ensure enough cable is in the cavity to connect to luminaire.
- Position top surface of the mounting collar to be flush with final surface level.
- Screw cover plate to mounting collar.
- Ensure ample depth for fitting.

Step 4

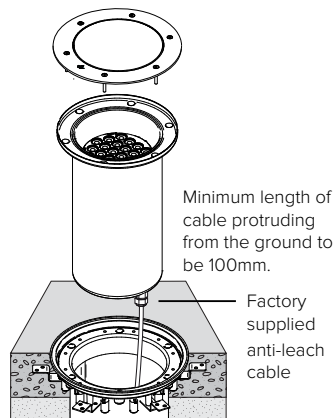
Pour concrete. Check that the top surface of the mounting collar is flush with the finished surface level.



Step 5

When ready to install luminaire;

- Destroy foam plug and assemble luminaire.
- Remove cover plate, glass and seal.



Step 6

Connect cable / hookup wire in accordance with local wiring rules.

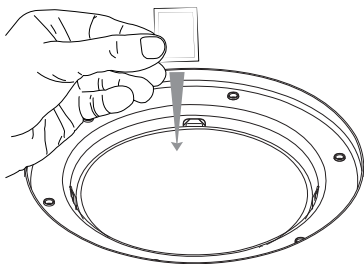
IMPORTANT: Power supply must be isolated prior to connection or disconnection of cables. Failure to do so will result in damage to the luminaire components.

Installation cont...

IP68

Step 7

Ensure that luminaire is acclimatized. Remove moisture sachet from packet supplied with lid assembly, remove gimbal from luminaire body and drop the sachet in the base of luminaire body.

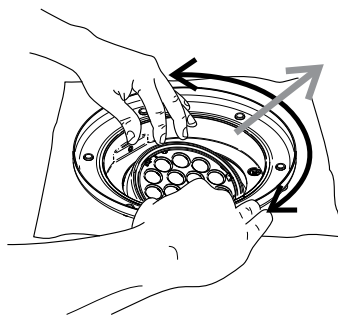


To prevent condensation, ensure luminaire is acclimatized (at same temperature as environment) before installation. Do not remove sachet from sealed packaging at this stage.

Step 8

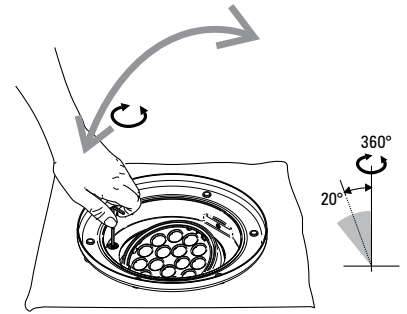
Rotate gimbal until **Aiming Mark** is targeted as desired.

Lock Gimbal. Whilst exerting downward pressure on gimbal, tighten rotational lock grub screw.



Step 9

Adjust gimbal tilt angle by rotating Tilt. Adjust screw with Allen key supplied.

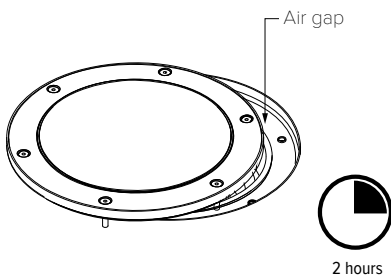


Step 10

Lay lid partially over luminaire to allow a gap for any moisture present to evaporate prior to sealing. Connect to supply and allow to burn for 2 hours.

IMPORTANT: Do not energise without partially covering gimbal.

Alternatively, using heat gun set at 100°C, heat the inside of luminaire at a distance of 300mm away for 10 minutes.



Step 11

Seal immediately after de-energising. Ensure seal and sealing surface is clean. Clean glass if necessary. Tighten lid screws using the 3mm allen key supplied. Ensure seal/sealing surface is free from debris. Lumascape recommends tightening using the torque pattern below.

Do not overtighten screws, 3Nm max.

