

LS422: Centria Concrete Anchor

Warranty void if not installed as per installation instructions

DANGER

ISOLATE LUMINAIRE FROM POWER

Failure to isolate power supply before installation or maintenance may result in fire, serious injury, electric shock, death and may damage the luminaire.



CAUTION: fixtures can become very hot. Use discretion in placement

Do not allow soil, mulch or foreign material to build up around luminaire

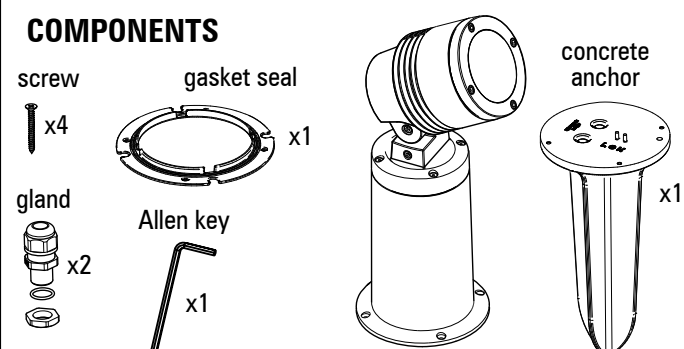
Ensure installation complies with local regulations

All connections must be kept dry; failure to do so may result in product reliability issues

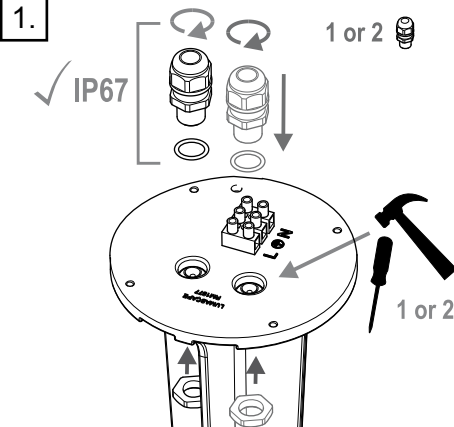
Do not use power tools to assemble luminaire

COMPONENTS

- screw x4
- gasket seal x1
- gland x2
- Allen key x1
- concrete anchor x1



1.

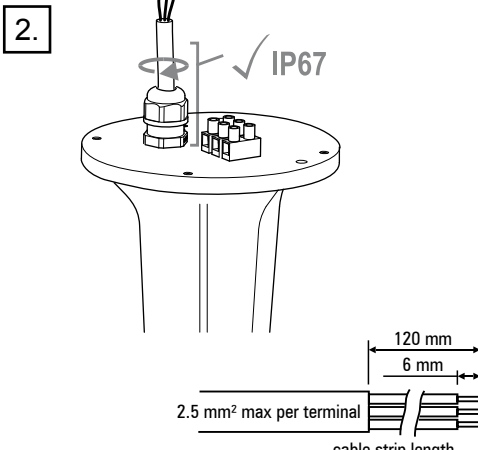


1 or 2

✓ IP67

1 or 2

2.



✓ IP67

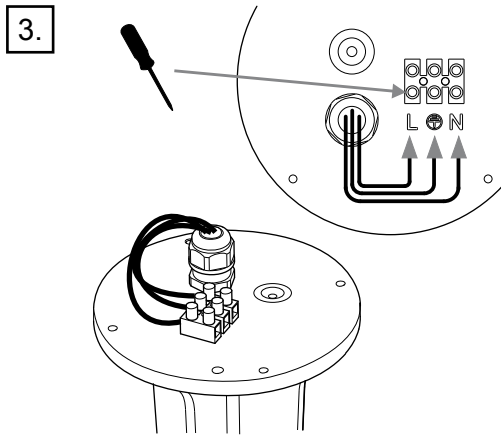
120 mm

6 mm

2.5 mm² max per terminal

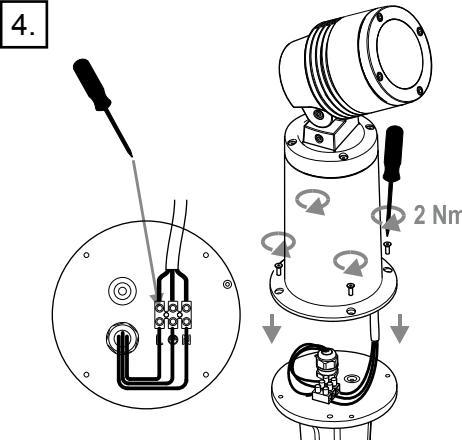
cable strip length

3.



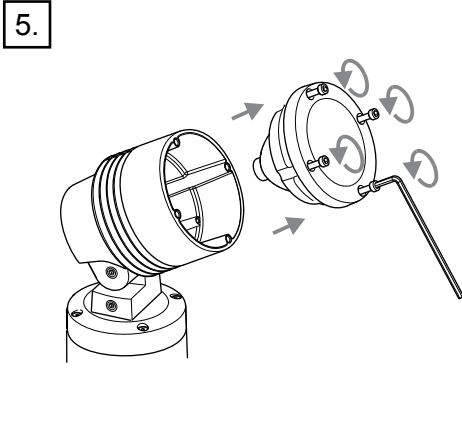
L N

4.

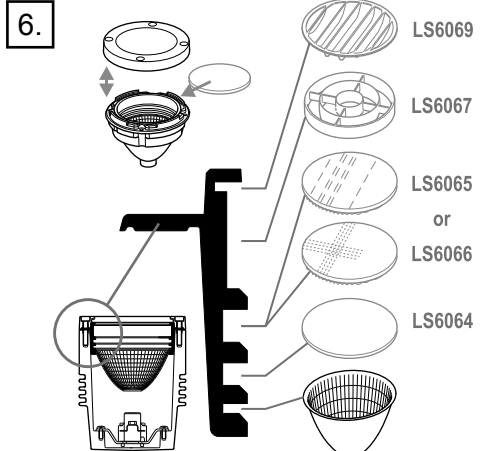


2 Nm

5.



6.



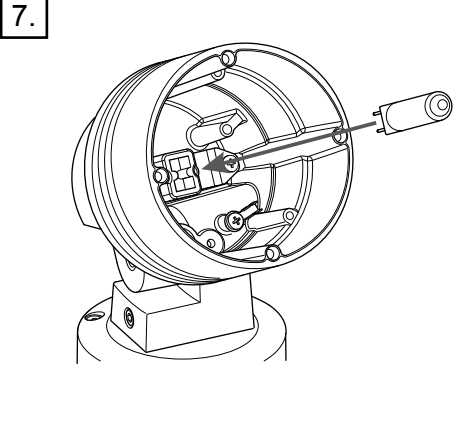
LS6069

LS6067

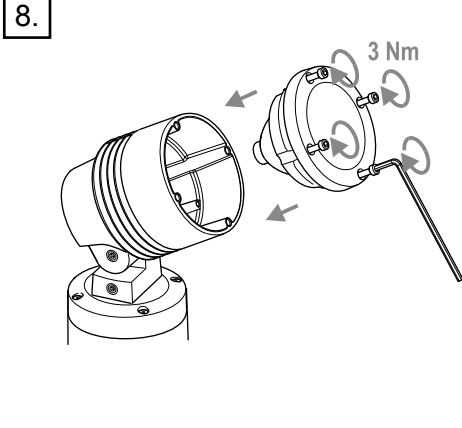
LS6065 or LS6066

LS6064

7.

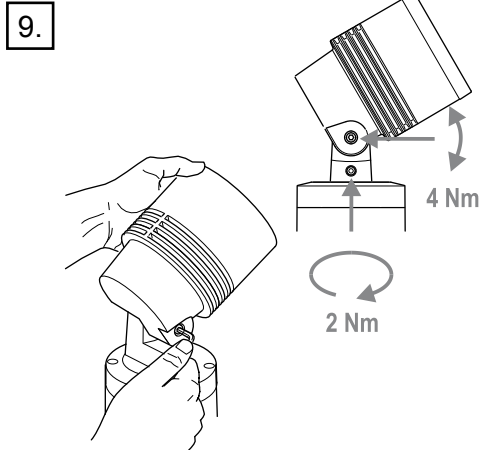


8.



3 Nm

9.

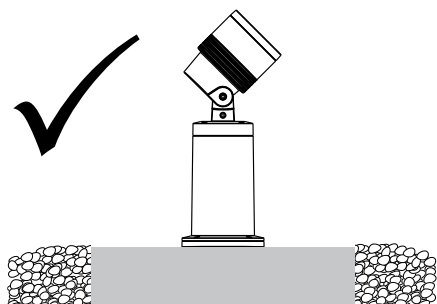


4 Nm

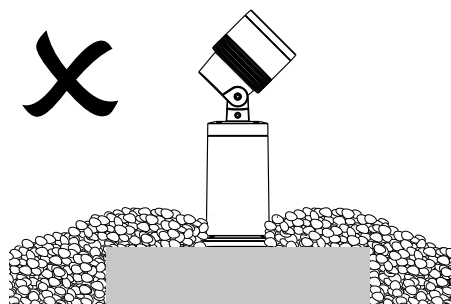
2 Nm

Do not allow soil, fill or any material to build up around the luminaire. Warranty will be void.

Correct installation



Incorrect installation. Void warranty



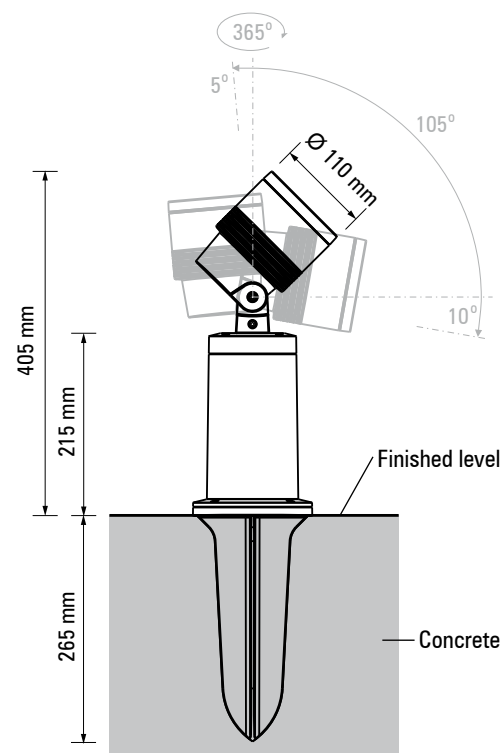
Questions?

Call +61 7 3286 2299

Email sales@lumascope.com.au

www.lumascope.com.au

FINISHED INSTALLATION



SAFETY INSTRUCTIONS

WARNING - To reduce the risk of FIRE or INJURY:

1. Luminaires and transformers to be installed by licensed electrical contractors.
2. Luminaires to be used for intended purpose only.
3. Do not operate the luminaires with a missing or damaged parts.
4. Use only genuine Lumascope parts to replace damaged or missing components.
5. Refer to instructions for installation and operating requirements.
6. Ensure installation complies with local regulations

Voltage insulation test (megger) will permanently damage product and will void warranty.

SAVE THESE INSTRUCTIONS.