

LS853LED: Uplight Direct Burial (Low Voltage)

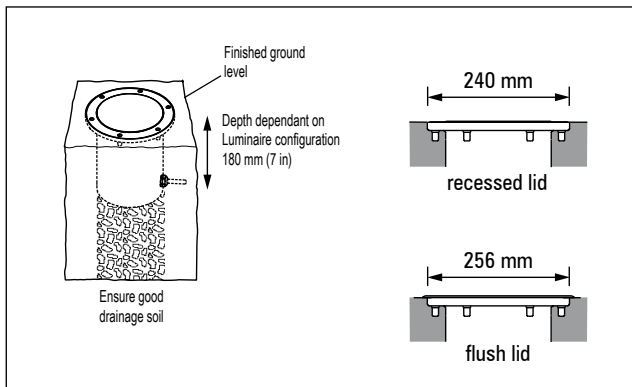
Warranty voided if not installed as per installation instructions

DANGER

ISOLATE LUMINAIRE FROM POWER


Failure to isolate power supply before installation or maintenance may result in fire, serious injury, electric shock, death and may damage the luminaire.



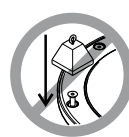


Instructions Cover LS853LED
 Direct Burial (Type 81 & 84)
 Low Voltage
 Single Colour Non-Dimming
 Single Colour Dimming
 RGB Non-Dimming
 RGB Dimming


WARNING



NO POWER TOOLS

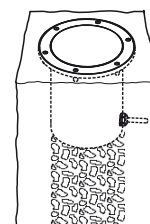


NO DOWNWARD FORCE



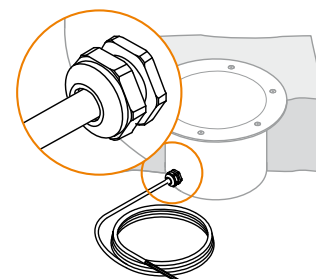
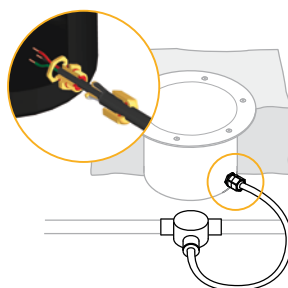
DO NOT OVERTIGHTEN

1. Locate luminaires
 Site luminaire, in proximity to cabling, in gravel, soil or concrete. Use discretion in locating luminaires as glass can become very hot and may burn.



2. Supply connection
For type 81 armoured cable entry: Connect junction box (direct burial splice box) to supply conduit and cover connections with epoxy as per instructions.

For type 84 cable entry only: Connect cable in accordance with local wiring rules.

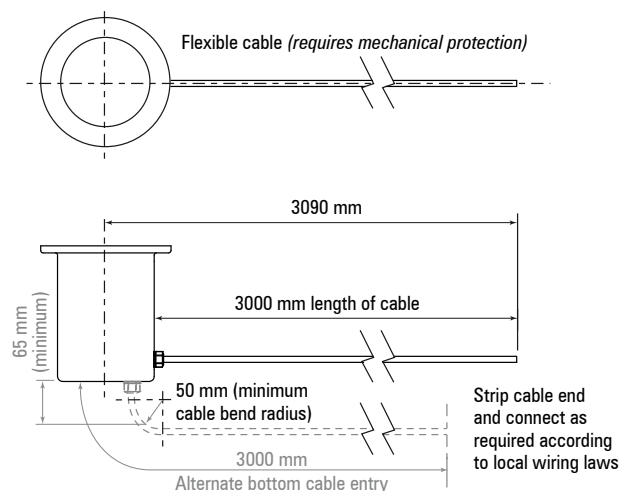
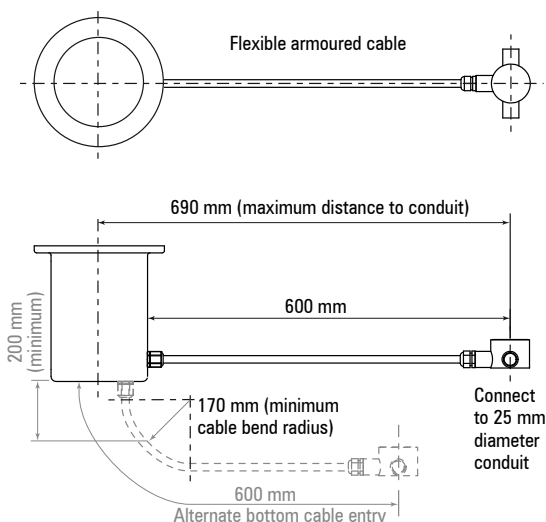


Power supply must be isolated prior to connection or disconnection of cables. Failure to do so will result in damage to the luminaire components.

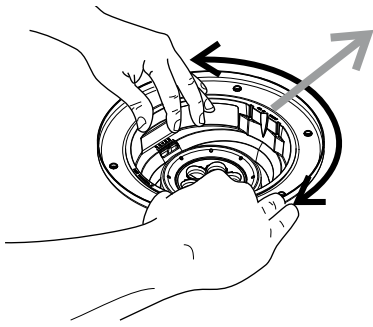
Epoxy sachet not supplied outside Australia.
 To be supplied by contractor
 Lumascap recommends 3M Scotch Cast 2112 epoxy.

Type 81 cable entry:
 DIRECT BURIAL ARMoured CABLE

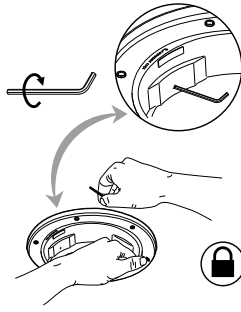
Type 84 cable entry:
 MICRO ANTILEACH 3M CABLE ENTRY



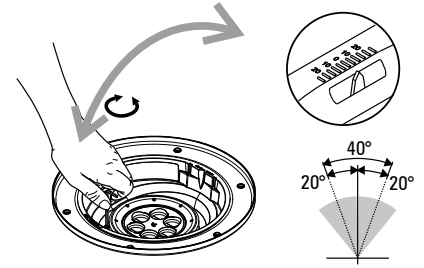
- 3. Aim Gimbal 1**
Rotate gimbal until the *Aiming Mark* is aimed as desired.



- 4. Lock gimbal**
Lock Gimbal. Whilst exerting downward pressure on gimbal, tighten rotational lock grub screw.

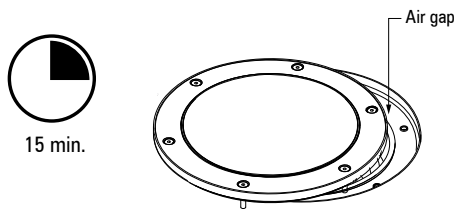


- 5. Aim Gimbal 2**
Adjust gimbal tilt angle by rotating *Tilt Adjust* screw with Allen key supplied. Approximate angle can be read from the *Tilt Angle Indicator*.



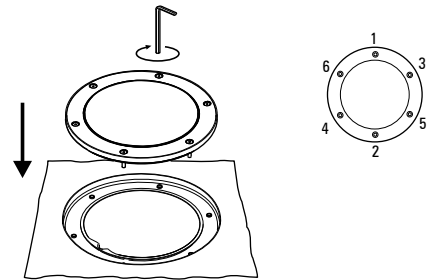
- 6. Run luminaire**
Lay lid partially over luminaire to allow a gap for any moisture present to evaporate prior to sealing. Connect to supply and allow to burn for 10-15 minutes. Seal luminaire.

IMPORTANT - DO NOT ENERGISE WITHOUT PARTIALLY COVERING LAMP



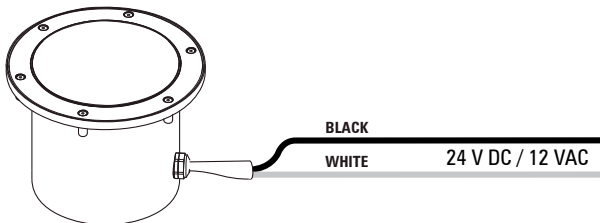
- 7. Seal luminaire.**
Seal immediately after de-energising. Ensure seal and sealing surface is clean. Clean glass if necessary. Tighten lid screws using the 3 mm allen key supplied. Lumascape recommends tightening in the below torque pattern

Do not overtighten screws, 4 Nm max.



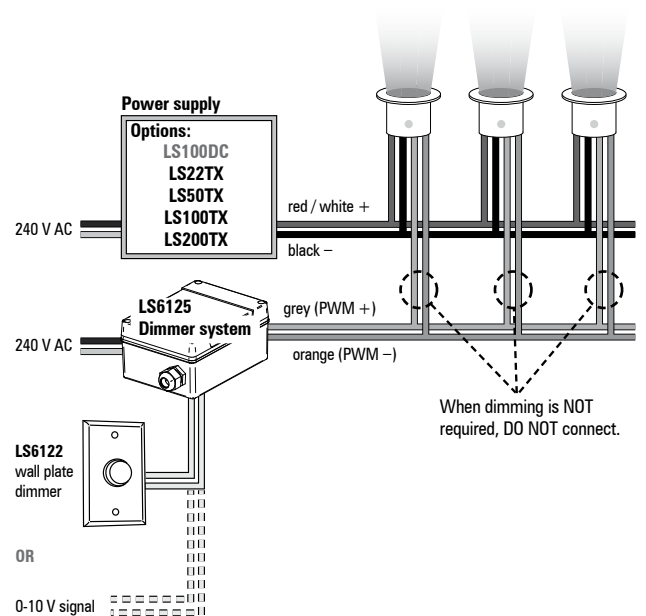
WIRING DIAGRAMS

Wiring Diagram:
SINGLE COLOUR NON-DIMMABLE



Power supply must be isolated prior to connection or disconnection of cables. Failure to do so will result in damage to the luminaire components.

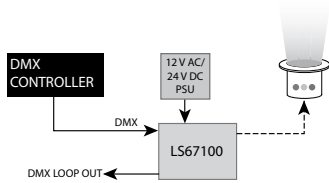
Wiring Diagram:
SINGLE COLOUR DIMMABLE



Wiring Diagram:
RGB INSTALLATION OPTIONS

DMX RGB control option 1

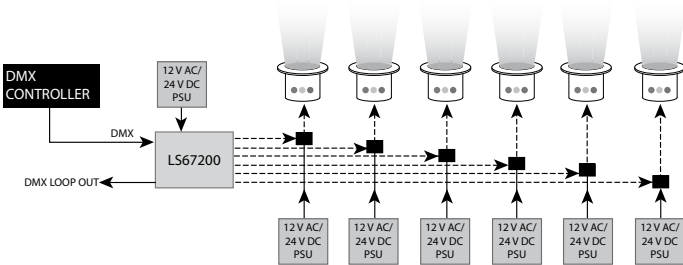
- 1 luminaire only
- Luminaire driven by integral LED drivers
- Luminaire powered through LS67100 PWM controller



Refer to installation instruction IN0107

DMX RGB control option 2

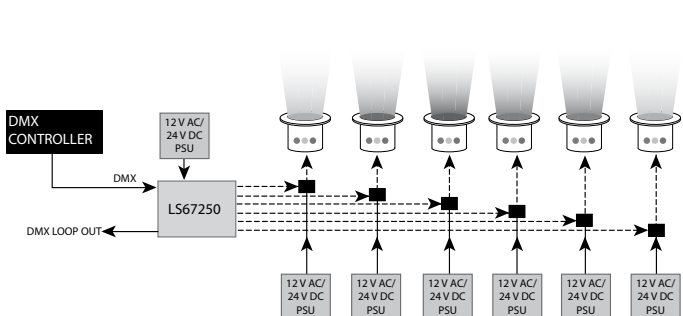
- Up to 6 luminaires addressed and controlled together
- All luminaires powered by integral LED drivers
- Luminaires powered by individual power supplies



Refer to installation instruction IN0108

DMX RGB control option 3

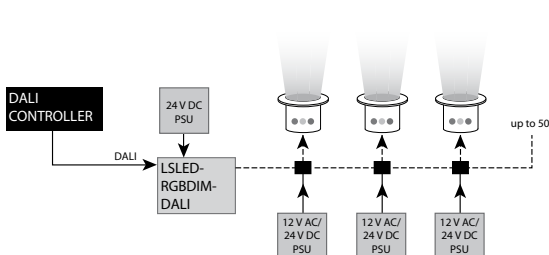
- Up to 6 luminaires addressed and controlled individually
- All luminaires powered by integral LED drivers
- Luminaires powered by individual power supplies



Refer to installation instruction IN0109

DALI RGB control option 4

- Up to 50 luminaires addressed and controlled together
- All luminaires powered by integral LED drivers
- Luminaires powered by individual power supplies

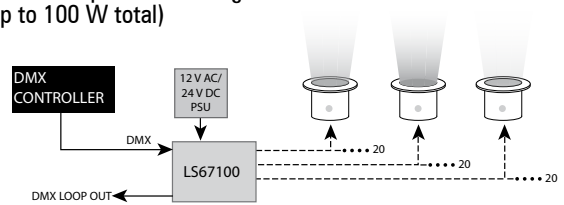


Refer to installation instruction IN0110

Wiring Diagram
SINGLE COLOUR INSTALLATION OPTIONS

DMX single colour dimming option 1

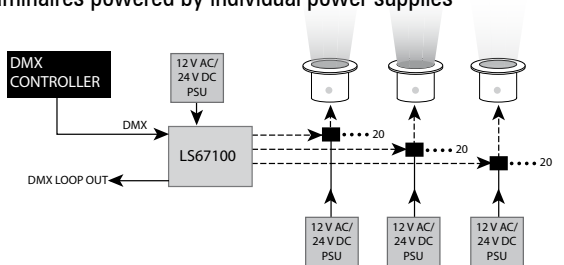
- Up to 3 individually addressed dimmable channels
- Up to 20 luminaires per dimmable channel
- Luminaires driven by integral LED drivers
- Luminaires powered through LS67100 PWM controller (up to 100 W total)



Refer to installation instruction IN0107

DMX single colour dimming option 2

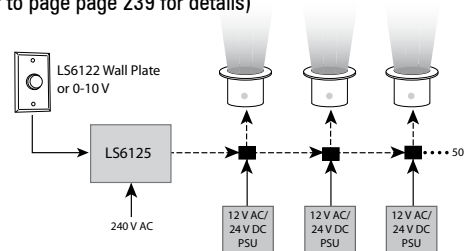
- Up to 3 individually addressed dimmable channels
- Up to 20 luminaires per dimmable channel
- Luminaires driven by integral LED drivers
- Luminaires powered by individual power supplies



Refer to installation instruction IN0107

0-10 V single colour dimming option 3

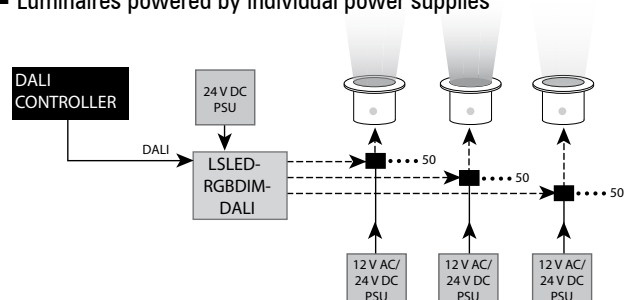
- Stand alone single colour dimming solution
- Up to 50 Luminaires dimmed together
- Luminaires driven by integral LED drivers using LS6122 wall plate dimmer
- Luminaires powered by individual or shared power supplies (refer to page 239 for details)



Refer to installation instruction IN0111

DALI single colour dimming option 4

- Up to 3 individually addressed dimmable channels
- Up to 50 luminaires per dimmable channel
- Luminaires driven by integral LED drivers
- Luminaires powered by individual power supplies



Refer to installation instruction IN0110

Questions?
Call +61 7 3286 2299
Email sales@lumascape.com.au
www.lumascape.com.au

SAFETY INSTRUCTIONS

WARNING - To reduce the risk of FIRE or INJURY:

1. Luminaires and transformers to be installed by licensed electrical contractors.
2. Luminaires to be used for intended purpose only.
3. Do not operate the luminaires with a missing or damaged parts.
4. Use only genuine Lumascope parts to replace damaged or missing components.
5. Refer to instructions for installation and operating requirements.
6. Ensure installation complies with local regulations

Voltage insulation test (megger) will permanently damage product and will void warranty.

SAVE THESE INSTRUCTIONS.