

LS853LED: Pre-installation (Line Voltage)

Warranty voided if not installed as per installation instructions

DANGER

ISOLATE LUMINAIRE FROM POWER

Failure to isolate power supply before installation or maintenance may result in fire, serious injury, electric shock, death and may damage the luminaire.



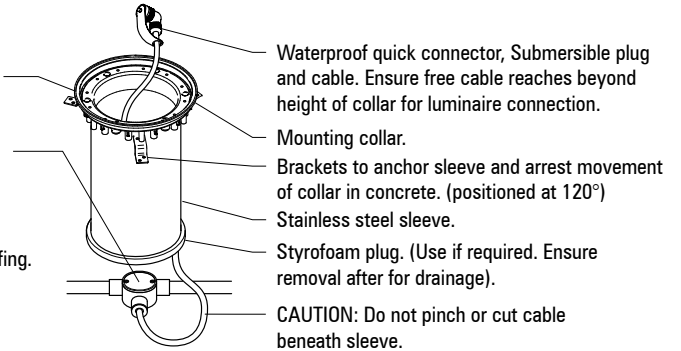
GENERAL ASSEMBLY

Finished surface level to be flush with top surface of collar.


Factory supplied J-Box with 25 mm conduit entries.


Use electrical grade epoxy to fill the J-box after connections have been made and tested to ensure water-proofing.


Suitable for LS6052-K



WARNING


 NO POWER TOOLS


 NO DOWNWARD FORCE


 DO NOT OVERTIGHTEN

Power supply must be isolated prior to connection or disconnection of cables. Failure to do so will result in damage to the luminaire components.

Epoxy sachet not supplied by Lumascape

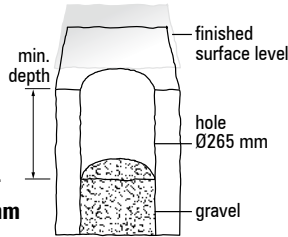
Use electrical grade epoxy resin to water proof junction box after connections have been made and tested.

1. Hole detail - section view

Layout luminaire locations as required. Use discretion in placement, luminaire may become hot and could burn.

Luminaire cavity should be as shown. Ensure gravel or similar medium forms the bottom of cavity to allow drainage.

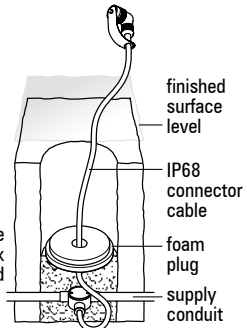
Minimum depth for LS853LED 280 mm



2. Supply connection

- Connect junction box supplied and punch a hole in foam plug to pass through connector.
- Pack hole in plug around the cable to ensure concrete doesn't enter the luminaire cavity. (Ensure the cap on the connector is secure)

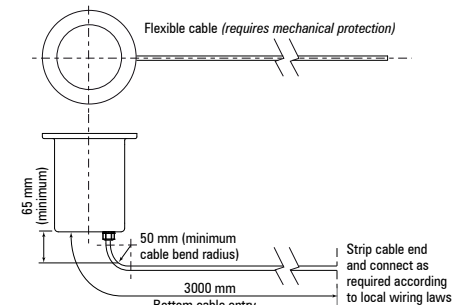
**Type 87 cable entry:
IP67 CONNECTION AND JUNCTION BOX**



Labels in diagram:
 finished surface level
 IP68 connector cable
 foam plug
 supply conduit
 where possible position j-box within void

**Type 84 cable entry:
MICRO ANTILEACH 3M CABLE ENTRY**

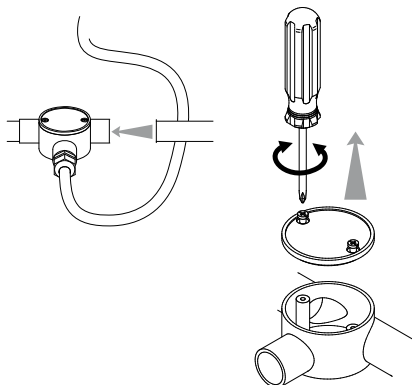
Connect in accordance with local wiring rules.



Labels in diagram:
 Flexible cable (requires mechanical protection)
 65 mm (minimum)
 50 mm (minimum cable bend radius)
 3000 mm Bottom cable entry
 Strip cable end and connect as required according to local wiring laws

3. Supply connection - Type 87 connection only

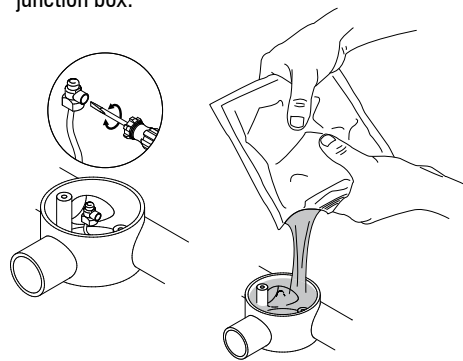
Connect according to junction box installation instructions and local wiring rules.



NOTE: If ordered without junction box assembly, connect in accordance with local wiring rules.

4. Terminate and waterproof the connections

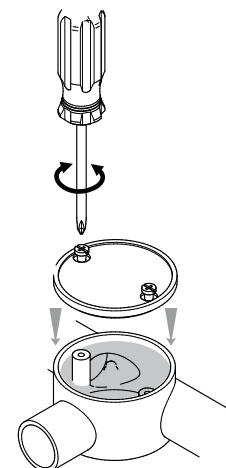
Connect wiring and test prior to potting. Add electrical grade epoxy resin to water proof junction box.



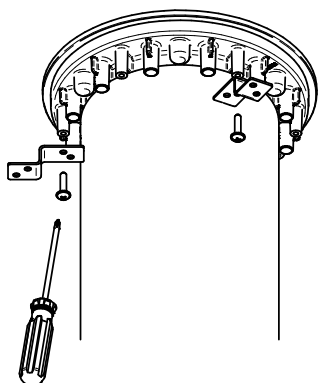
Power supply must be isolated prior to connection or disconnection of cables. Failure to do so will result in damage to the luminaire components.

5. Seal

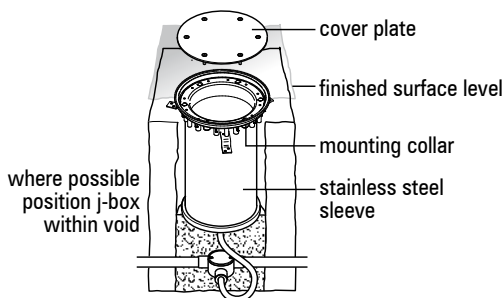
Using a screwdriver seal junction box. Ensure not to over tighten.



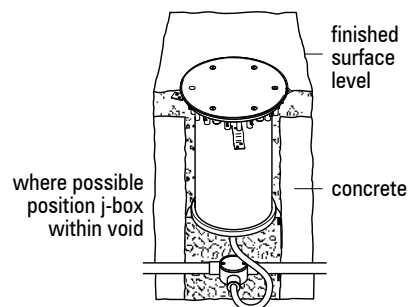
- 6. Attach brackets**
Position and use screws to attach brackets at the bottom of the lid before concrete is poured.



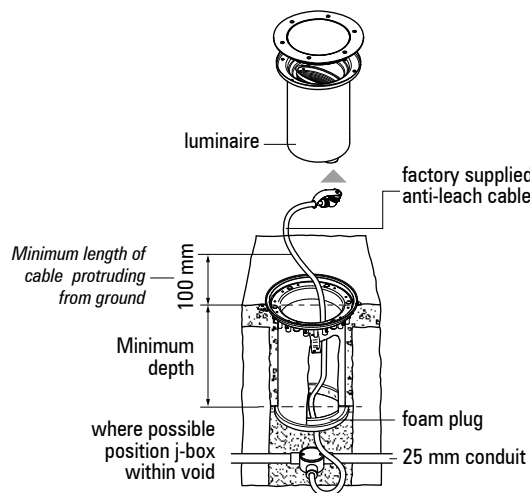
- 7. Fit sleeve, collar and cover plate**
- Fit sleeve over foam plug.
 - Ensure enough cable is in the cavity to connect to luminaire.
 - Position top lip of mounting collar to be flush with finished surface level.
 - Screw cover plate, (available separately, consult your Lumascope dealer), to mounting collar if required.



- 8. Pour concrete**
Pour concrete. Check that the top surface of mounting collar is flush with the finished surface level.

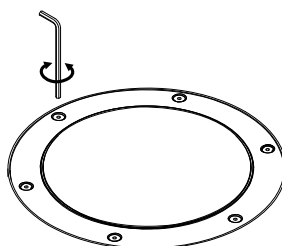


- 9. Fit luminaire**
When ready to install luminaire;
- Destroy foam plug and assemble luminaire.
 - Remove cover plate (if located).
 - Join Quick Connectors (do not dispose of cap).



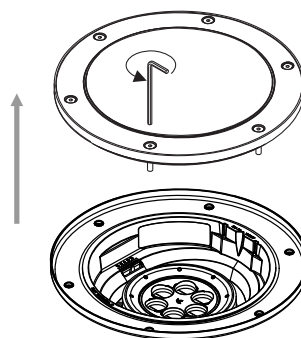
Minimum depth for LS853LED 280 mm

- 10. Isolate and open luminaire**
Ensure the luminaire is electrically isolated. Loosen the screws with the allen key provided. If necessary gently lever lid out with a large screwdriver.

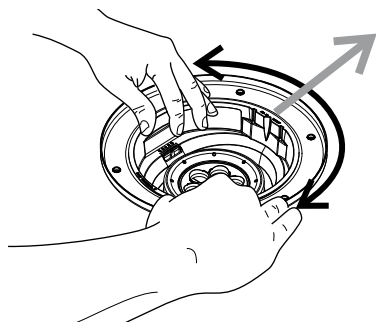


Power supply must be isolated prior to connection or disconnection of cables. Failure to do so will result in damage to the luminaire components.

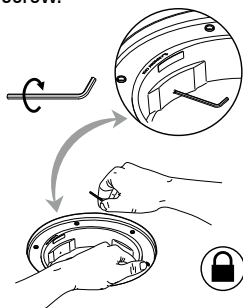
- 11. Remove lid**
Remove lid and any accessories to expose reflector.



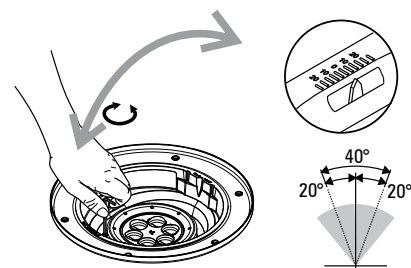
- 12. Aim Gimbal 1**
Rotate gimbal until the *Aiming Mark* is aimed as desired.



- 13. Lock gimbal**
Lock Gimbal. Whilst exerting downward pressure on gimbal, tighten rotational lock grub screw.

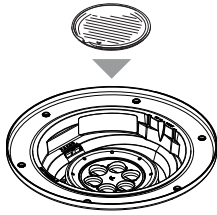


- 14. Aim Gimbal 2**
Adjust gimbal tilt angle by rotating *Tilt Adjust* screw with Allen key supplied. Approximate angle can be read from the *Tilt Angle Indicator*.



15. Accessories

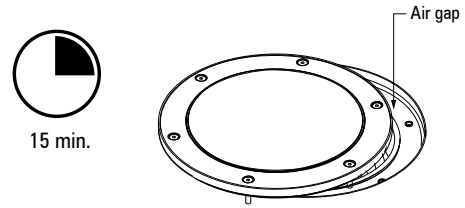
Add accessories (Note refer to accessory stacking sheet below). Further gimbal adjustments may be required with accessories in place.



16. Run luminaire

Lay lid partially over luminaire to allow a gap for any moisture present to evaporate prior to sealing. Connect to supply and allow to burn for 10-15 minutes. Seal luminaire.

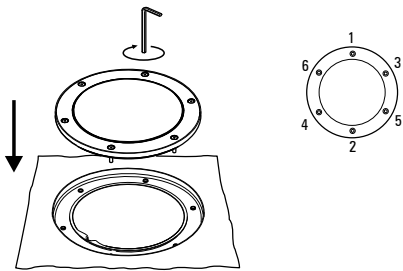
IMPORTANT - DO NOT ENERGISE WITHOUT PARTIALLY COVERING LAMP



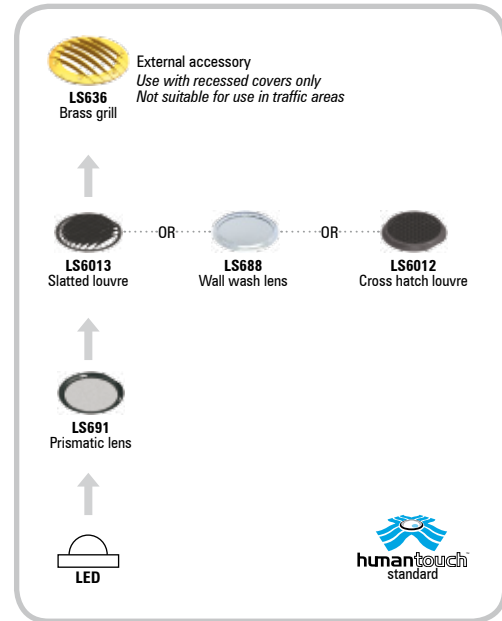
17. Seal luminaire.

Seal immediately after de-energising. Ensure seal and sealing surface is clean. Clean glass if necessary. Tighten lid screws using the 3 mm allen key supplied. Lumascape recommends tightening in the below torque pattern

Do not overtighten screws, 4 Nm max.



Accessories stacking order



Other accessory stacking options may be available - consult factory

Questions?

Call 07 3286 2299

Email sales@lumascape.com.au

www.lumascape.com.au

SAFETY INSTRUCTIONS

WARNING - To reduce the risk of FIRE or INJURY:

1. Luminaires and transformers to be installed by licensed electrical contractors.
2. Luminaires to be used for intended purpose only.
3. Do not operate the luminaires with a missing or damaged parts.
4. Use only genuine Lumascape parts to replace damaged or missing components.
5. Refer to instructions for installation and operating requirements.
6. Ensure installation complies with local regulations

Voltage insulation test (megger) will permanently damage product and will void warranty.

SAVE THESE INSTRUCTIONS.

WARNING

The luminaire should only be used complete with its protective shield (cover)

This product must only be installed/fitted by a licensed electrical worker.