



PCB in IP67 enclosure with optically clear lid

All LSLED-RGBDIM DALI are supplied ready to talk your language - whether it's DALI, DMX512, RDM over DMX512 or DSI, so it's compatible with brands like Clipsal and Philips Dynalite.

The IP66 enclosed version offers a transparent lid that allows you to see the mimic and status LEDs at a glance.

Every LSLED-RGBDIM has a UID (Unique Identifier) for RDM (Remote Device Management over DMX512) and its own address in both DALI and DMX512 which can be changed by bitswitch or suitable tool such as the Control Freak ADDICT®.

Electrical

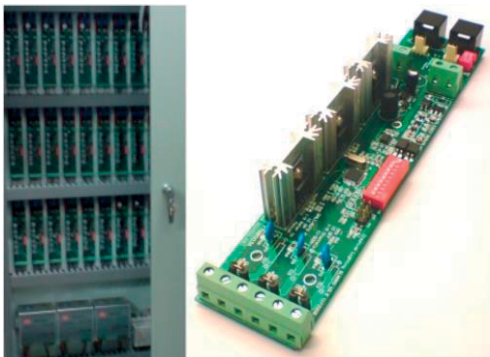
<b>Input Voltage</b>	24 V DC
<b>Output</b>	24 V DC PWM (3 Channels)
<b>Efficiency</b>	PCB > 96%
<b>Protection</b>	Short circuit output protection by replaceable 10A fuses on each channel. Immune from accidental DC input reversal

Physical

<b>Ambient Operating Temp.</b>	In environments with ambient temperatures above 35°C, de-rate load accordingly or provide air movement and or cooling to suit. Air vents are also available which can provide a small reduction in internal heat. IP67 enclosed 300W @24V or 240W @ 12V total load max (thermal).	
<b>Size (PCB)</b>	(l)232mm (w)40mm (h)57mm	(l)9.1 (w)1.6 (h)2.2
<b>Size (IP67 Enclosure)</b>	(l)250mm (w)80mm (h)85mm	(l)9.8 (w)3.1 (h)3.3
<b>Weight (IP67 Enclosure)</b>	0.8 kg (1.8 lbs)	

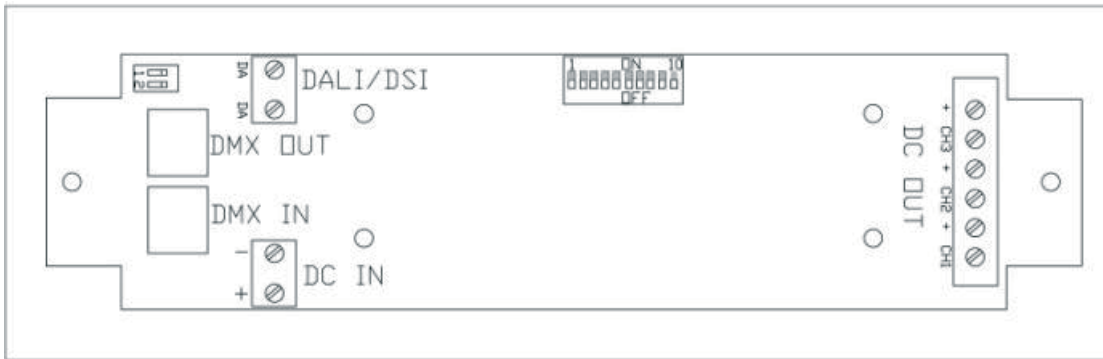
Certification & Compliance

<b>Compliance</b>	EMC: CE and C Tick, CISPR 15:2006 Safety: AS/NZS 61347.2.13, EN 55015 + A1, EN 61547+A1, IEC 62384 + A1, IEC 62386-207
<b>IP Rating</b>	IP67 (with enclosure)

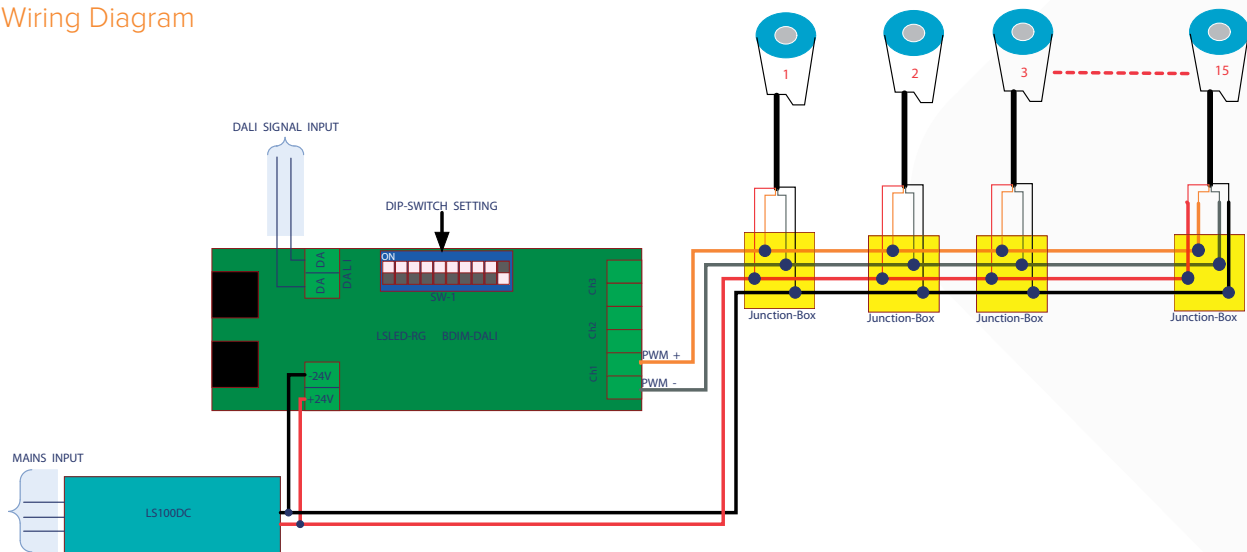


PCBs can be easily remote-located into switchboards for big projects.

PCB Layout



Wiring Diagram



NOTE: ON SW1:10 set to ON position and the remaining 9 set to OFF for DALI control.

— : 4-Core trunk cable