



The LS471 is the up / down version of the Centria series. It also performs well for illuminating large wall expanses. Reflectors with different beam angles can be fitted to each side. Integral electronic ballasts are a standard feature of the LS471. Choices of beam angles, light and glare control accessories are available.

Electrical

Lamp	2 x 20W max	MH T4 (G8.5)
Input Voltage	Mains Voltage	100-277V AC, 50/60Hz

Physical

Housing	LM20 die cast marine grade powder coated aluminium	
Installation	Wall mount	
Ambient Operating Temperature	-20°C to 50°C (-4°F to 122°F)	
Surface Temperature	≤65°C (≤149°F) HumanTouch™ Compliant	

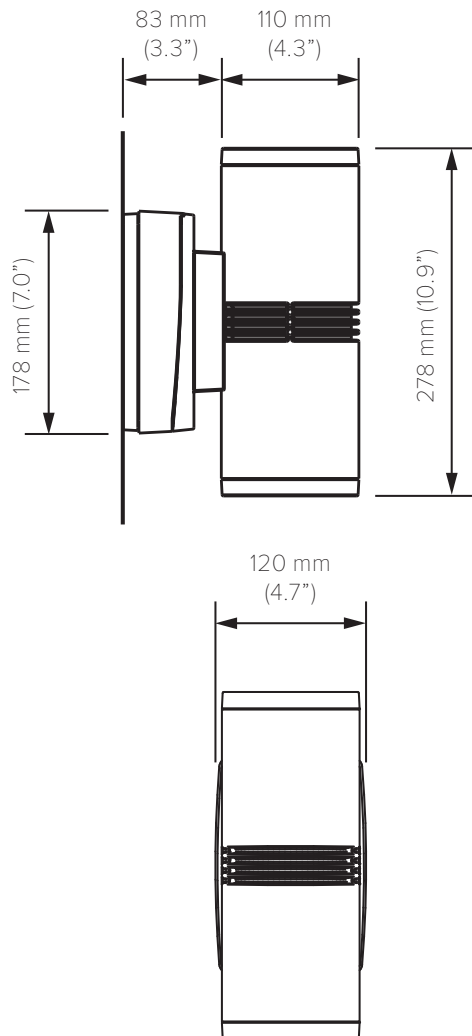
Certification & Compliance

IP Rating	IP66 / 67	
Certifications	CE, ETL	

DISCONTINUED PRODUCT

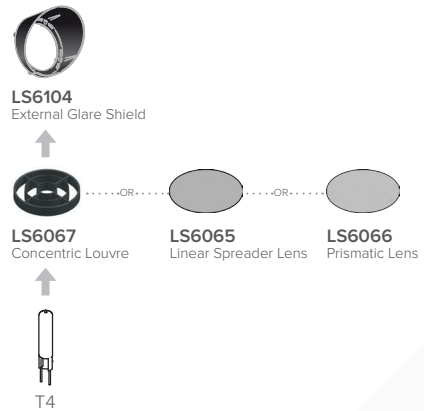


Luminaire Dimensions

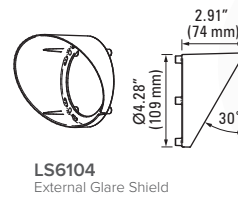


Luminaire Accessories

Stacking and order of accessories



Other accessory stacking options may be available - consult factory



LS471		211					
Lamp	Code	Beam	Code	Input Voltage (International)	Code	Finish	Code
MH T4 G8.5 2 x 20W	211	Narrow	12° XV	100-240V AC, 50/60 Hz	01	Black	BL
		Medium	30° XW			Anodic Silver	SL
		Flood	54° XX	Input Voltage (North America)	Code	White	WT
		Wide Flood	74° XY	120-277V AC, 50/60 Hz	09		